

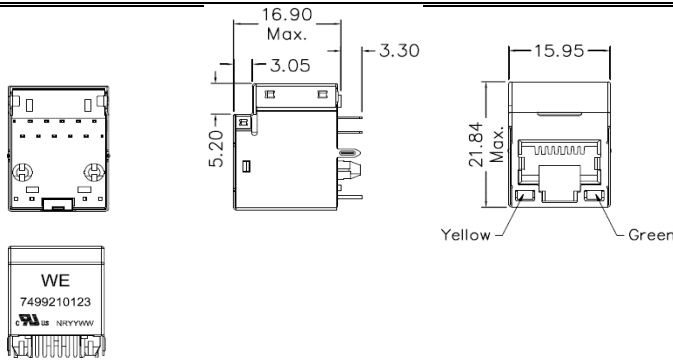
# Spezifikation für Freigabe / specification for release

Kunde / customer :  
 Artikelnummer / part number : **7499210123**  
 Bezeichnung : LAN-Übertrager WE-RJ45LAN 10/100Base-T PoE  
 description : LAN-Transformer WE-RJ45LAN 10/100Base-T PoE



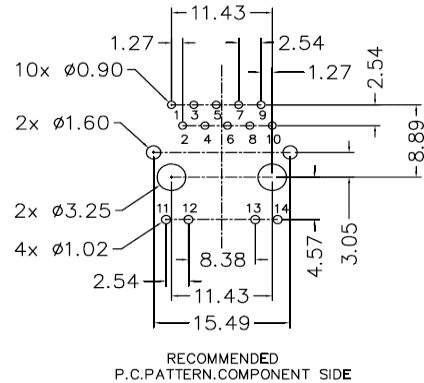
DATUM / DATE : 2016-06-03

## A Mechanische Abmessungen / dimensions :



unless otherwise specified, tolerance: 0.25 mm

## B Lötspad / soldering spec. :



## C Elektrische Eigenschaften / electrical properties :

Eigenschaften / properties	Testbedingungen / test conditions		Wert / value	Einheit / unit	tol.
Induktivität / Inductance	100kHz / 100mV @ 8mA DC-Bias	OCL	350	µH	min.
Übersetzungsverhältnis / Turns ratio	100kHz / 100mV	TR	1 : 1	Tx	2%
			1 : 1	Rx	
Insertion Loss	1-100MHz	IL	-1.0	dB	max.
Return Loss	1-30 MHz	RL	-18	dB	min.
	30-45 MHz		-16		
	45-60 MHz		-14		
	60-80 MHz		-12		
Common Mode Rejection	1-100MHz	CMR	-35	dB	min.
Crosstalk	1-100MHz	CT	-35	dB	min.

## D Prüfgeräte / test equipment :

Agilent 4395A Network Analyzer

## E Testbedingungen / test conditions :

Luftfeuchtigkeit / humidity: 33%  
 Umgebungstemperatur / temperature: +25°C

## F Werkstoffe & Zulassungen / material & approvals :

Basismaterial / base material:	Ferrit/ ferrite
Draht / wire:	QPN 180
Kontaktmaterial/ contact plating:	100% tin w. nickel underplating 30µ"gold plating on contact area
Gehäuse / housing	Thermoplastic UL 94V-0
LED	1.8-2.5V / 20mA
Shield	50µ" nickel over 0.008" cooper alloy

## G Eigenschaften / general specifications :

Betriebstemp. / operating temperature: -40°C - + 85°C  
 Geeignet für 10/100Base-T-Anwendungen gemäß IEEE 802.3af /  
 Compliant with IEEE 802.3af for 10/100Base-T  
 Stromtragungsfähigkeit / Current capability: 350mA  
 Auto MDIX fähig / Auto MDIX capable  
 UL File: E331896

Freigabe erteilt / general release:	<b>Kunde / customer</b>		
Datum / date	<b>Unterschrift / signature</b>		
	<b>Würth Elektronik</b>		
		Mle	Revision 01 2016-06-03
		MMai	Revision 00 2016-02-25
Geprüft / checked	<b>Kontrolliert / approved</b>	Name	Änderung / modification Datum / date

### Würth Elektronik eiSos GmbH & Co.KG

D-74638 Waldenburg · Max-Eyth-Straße 1 · 3 · Germany · Telefon (+49) (0) 7942 - 945 - 0 · Telefax (+49) (0) 7942 - 945 - 400  
<http://www.we-online.com>

# Spezifikation für Freigabe / specification for release

Kunde / customer :

Artikelnummer / part number :

**7499210123**

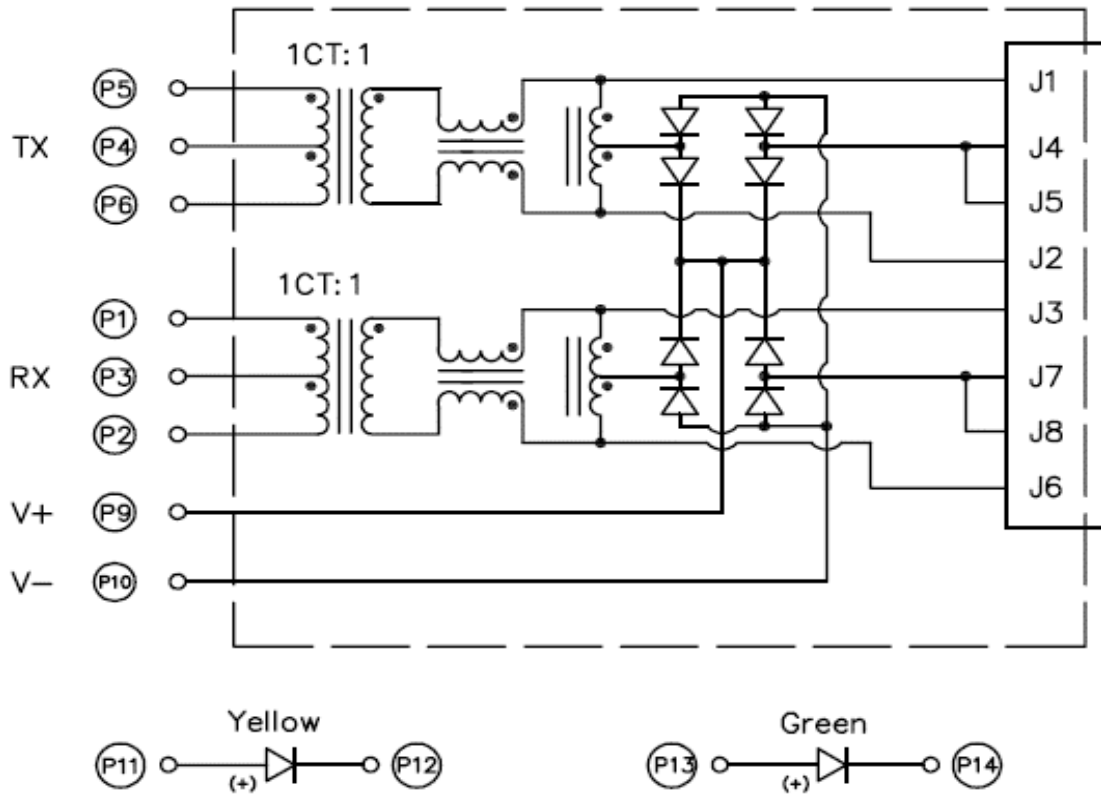


Bezeichnung : LAN-Übertrager WE-RJ45LAN 10/100Base-T PoE

description : LAN-Transformer WE-RJ45LAN 10/100Base-T PoE

DATUM / DATE : 2016-06-03

## H Schaltbild / Schematics :



Freigabe erteilt / general release:	<b>Kunde / customer</b>			
.....	.....			
Datum / date	Unterschrift / signature			
.....	<b>Würth Elektronik</b>			
.....	.....	Mle	Revision 01	2016-06-03
Gepüft / checked	Kontrolliert / approved	MMai	Revision 00	2016-02-25
		Name	<b>Änderung / modification</b>	Datum / date

### Würth Elektronik eiSos GmbH & Co.KG

D-74638 Waldenburg · Max-Eyth-Straße 1 - 3 · Germany · Telefon (+49) (0) 7942 - 945 - 0 · Telefax (+49) (0) 7942 - 945 - 400  
<http://www.we-online.com>

# Spezifikation für Freigabe / specification for release

Kunde / customer :

Artikelnummer / part number : **7499210123**

Bezeichnung : **LAN-Übertrager WE-RJ45LAN 10/100Base-T PoE**

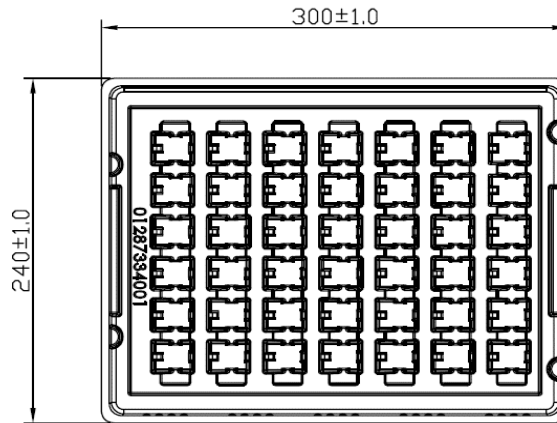
description : **LAN-Transformer WE-RJ45LAN 10/100Base-T PoE**



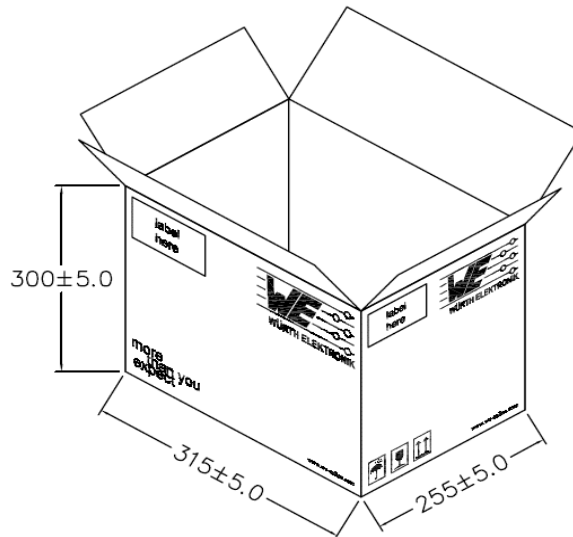
DATUM / DATE : 2016-06-03

## I Verpackungsspezifikation / package specification :

Tray:



Carton:



**Packing Quantity:**

tray = 42 pcs  
carton = 504 pcs

### dimensions in mm

Freigabe erteilt / general release:	Kunde / customer			
.....	.....			
Datum / date	Unterschrift / signature			
.....	Würth Elektronik			
.....	.....			
Geprüft / checked	Kontrolliert / approved	Mie	Revision 01	2016-06-03
.....	.....	MMai	Revision 00	2016-02-25
		Name	Änderung / modification	Datum / date

This electronic component has been designed and developed for usage in general electronic equipment. Before incorporating this component into any equipment where higher safety and reliability is especially required or if there is the possibility of direct damage or injury to human body, for example in the range of aerospace, aviation, nuclear control, submarine, transportation, (automotive control, train control, ship control), transportation signal, disaster prevention, medical, public information network etc, Würth Elektronik eiSos GmbH must be informed before the design-in stage. In addition, sufficient reliability evaluation checks for safety must be performed on every electronic component which is used in electrical circuits that require high safety and reliability functions or performance.

### Würth Elektronik eiSos GmbH & Co.KG

D-74638 Waldenburg · Max-Eyth-Straße 1 - 3 · Germany · Telefon (+49) (0) 7942 - 945 - 0 · Telefax (+49) (0) 7942 - 945 - 400  
<http://www.we-online.com>