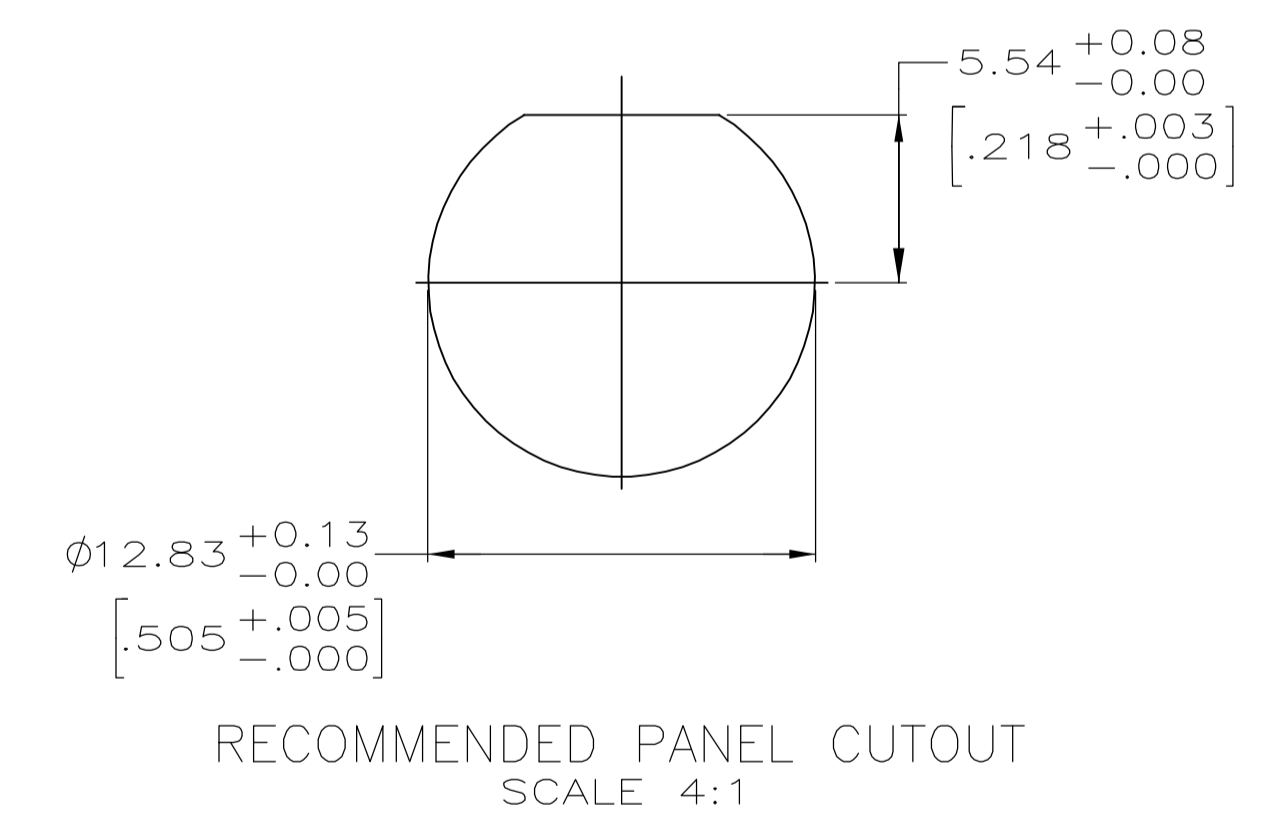
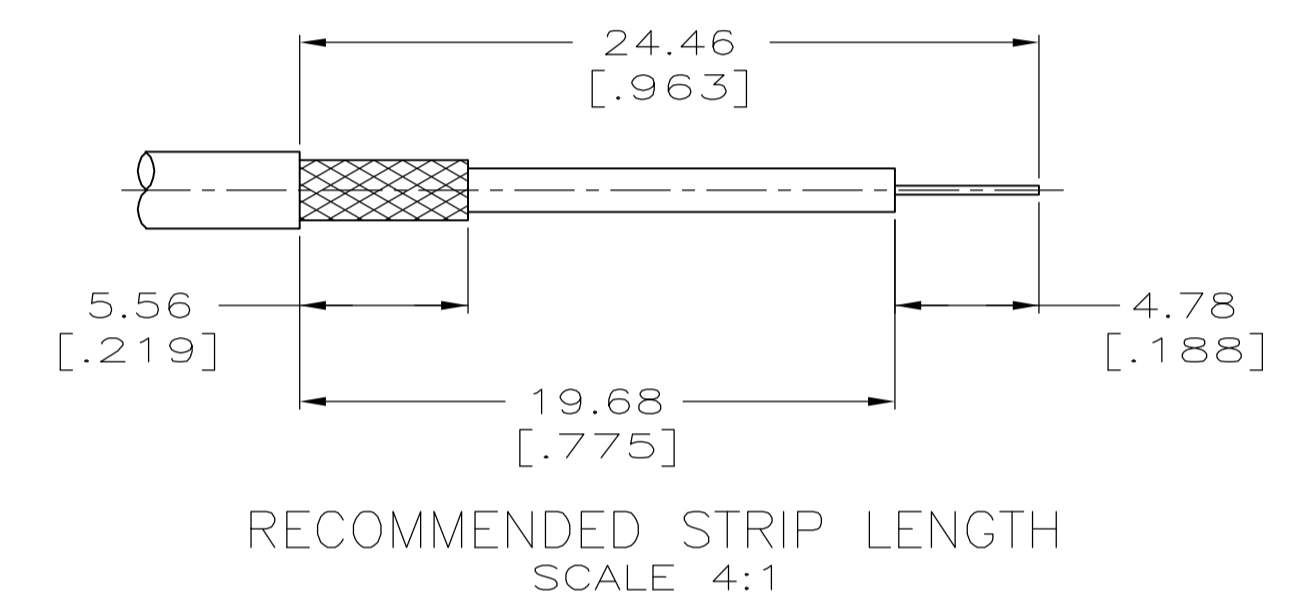
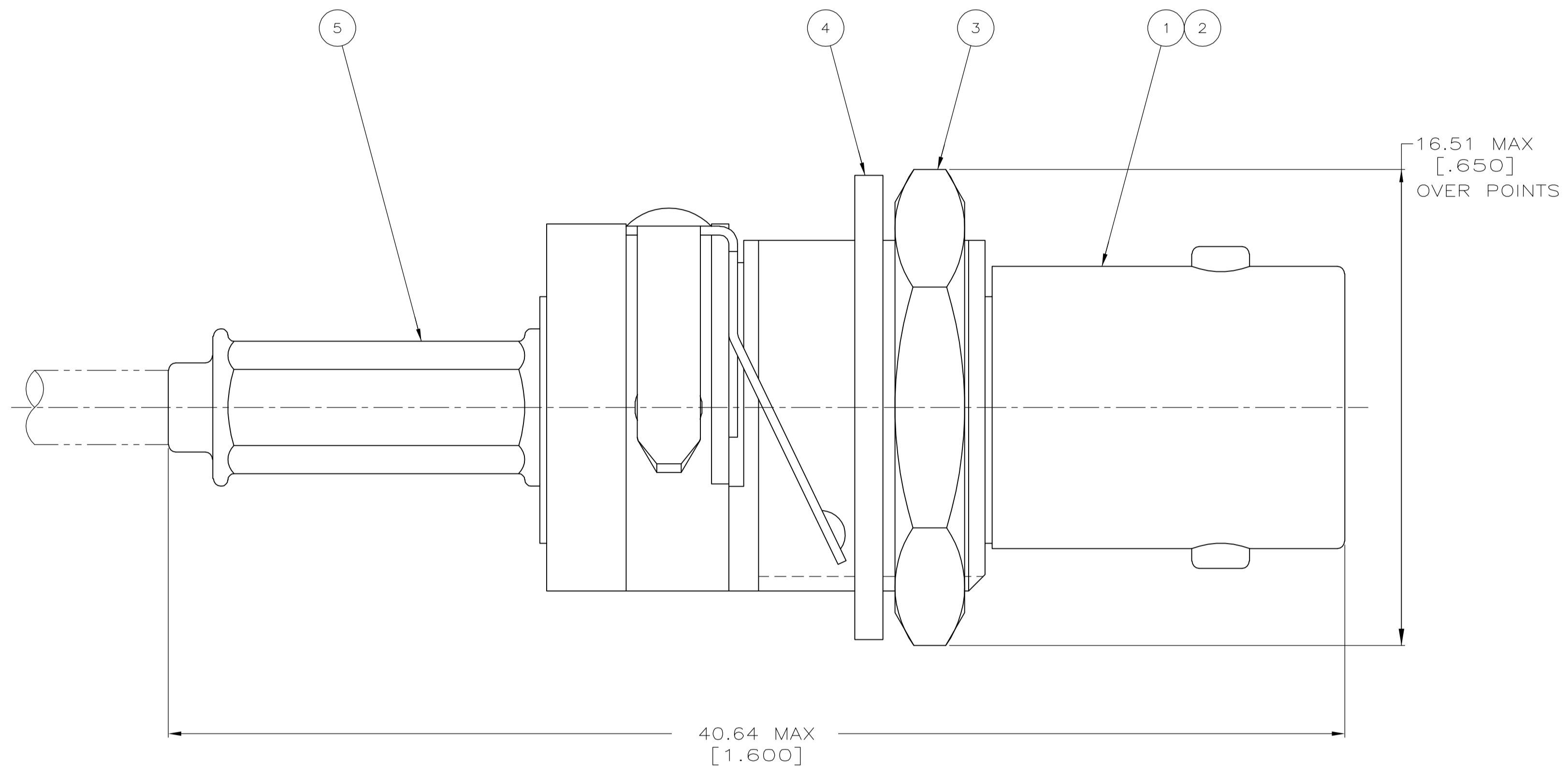


- △ USE CRIMP TOOL: 354940-1
- 2. PANEL THICKNESS = 5.08 [.200] MAX
- 3. USE INSTRUCTION SHEET 408-4048
- 4. CAPACITANCE = 9400 PF ± 10% TOTAL
VOLTAGE = 500 VDC



| | | | | | | | | | | | |
|----------|------------------------------|-------------------|----------------|-----------|-------------------|--------------------|------------------------|--------------------|--------------------|--------------------------|-------------|
| | RG-174/U, 188/U, 316/U | 4.52 [.178] | 1.73 [.068] | 58436-3 | 227194-5 | 9-413658-0 | 1-329632-2 | 1-329631-2 | 1-413774-5 | 414757-2 | 414758-2 |
| OBSOLETE | RG-58/U, 58A/U, 58B/U, 58C/U | 5.41 [.213] | 1.73 [.068] | 58436-1 | - | 9-221132-0 | 1-329632-2 | 1-329631-2 | 413774-5 | 414757-1 | 414758-1 |
| | FOR USE WITH CABLE | FERRULE | CENTER CONTACT | DIE SET △ | ⑥ SPACER QTY=1 | ⑤ FERRULE QTY=1 | ④ LOCK WASHER QTY=1 | ③ JAM NUT QTY=1 | ② CONTACT QTY=1 | ① JACK ASSEMBLY QTY=1 | PART NUMBER |
| | | HEX CRIMP HEIGHTS | | | | | | | | | |

THIS DRAWING IS A CONTROLLED DOCUMENT.

| | | | | |
|-------------|---|---|---------|---|
| DIMENSIONS: | TOLERANCES UNLESS OTHERWISE SPECIFIED: | DWN | 14APR94 | Tyco Electronics Corporation Harrisburg, PA 17105-3608 |
| INCHES | 0 PLC ± - 1 PLC ± - 2 PLC ± - 3 PLC ± 0.41 [.016] 4 PLC ± - ANGLES ± - | CHK | 14APR94 | |
| ⊕ | | APVD | 15APR94 | NAME |
| MATERIAL | FINISH | JACK, BULKHEAD, DECOUPLER, 50 OHM, HEX CRIMP, BNC 108-1490 | | SIZE |
| | | WEIGHT | A1 | CAGE CODE |
| | | CUSTOMER DRAWING | | DRAWING NO |
| | | SCALE 8:1 | | REV |
| | | SHEET 1 OF 1 | | E1 |