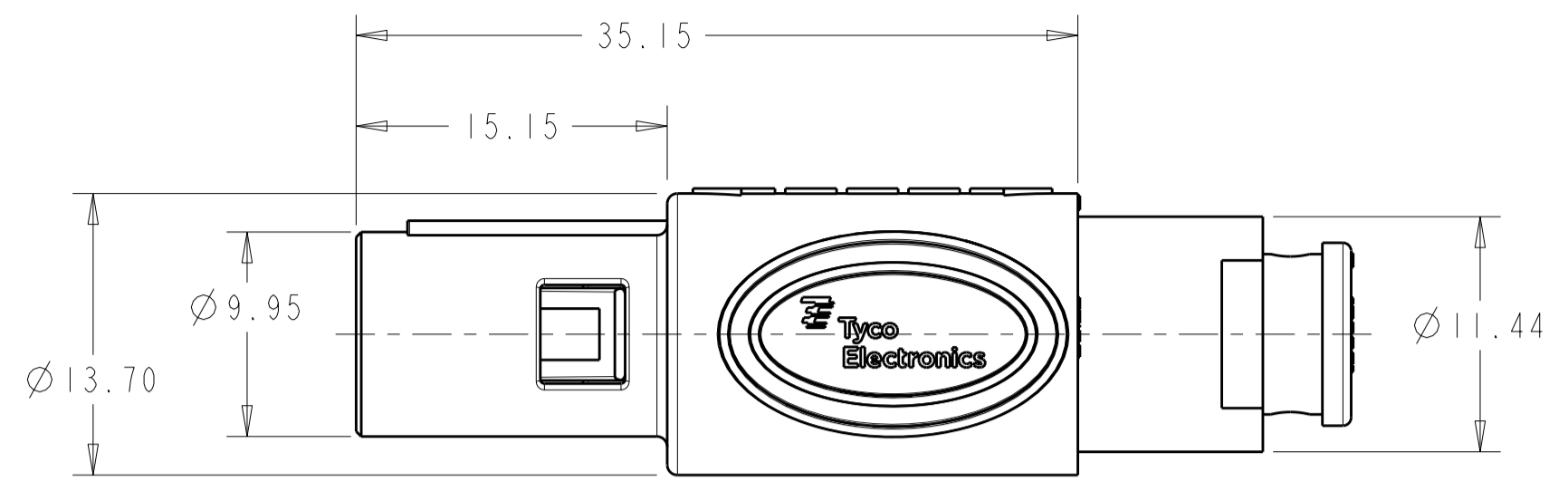
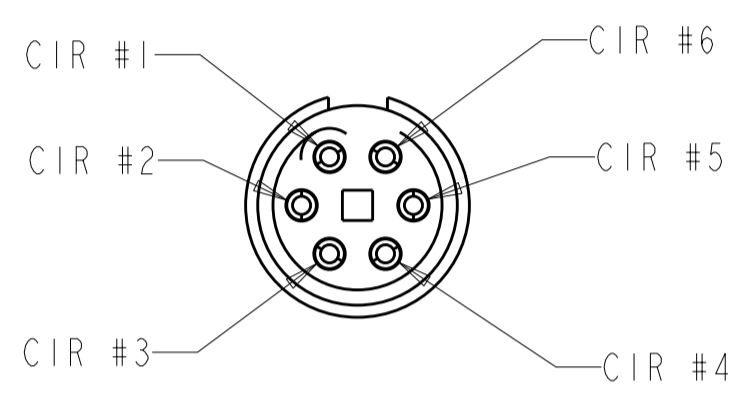


THIS DRAWING IS UNPUBLISHED. RELEASED FOR PUBLICATION 20
 © COPYRIGHT 20 BY TYCO ELECTRONICS CORPORATION. ALL RIGHTS RESERVED.

LOC	DIST	REVISIONS					
AD	00	P	LTR	DESCRIPTION	DATE	DWN	APVD
		B3		REVISED PER ECO-08-022187	06SEP2008	HMR	DR
		B4		REVISED PER ECO-09-008097	06APR2009	MF	DR

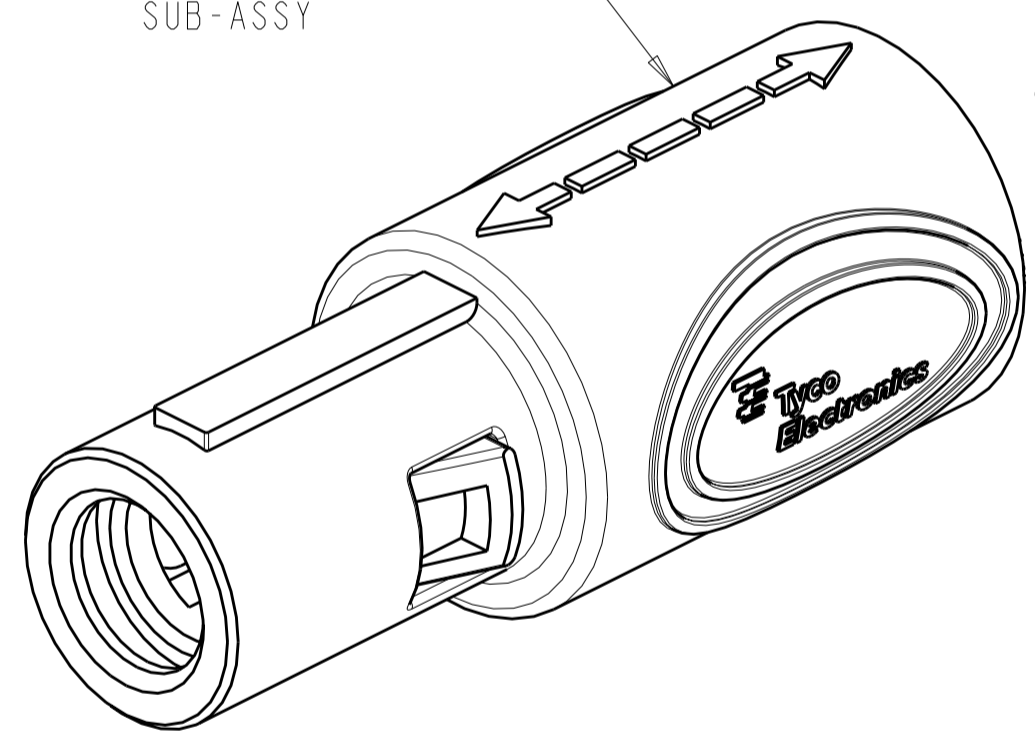


SCALE 3:1

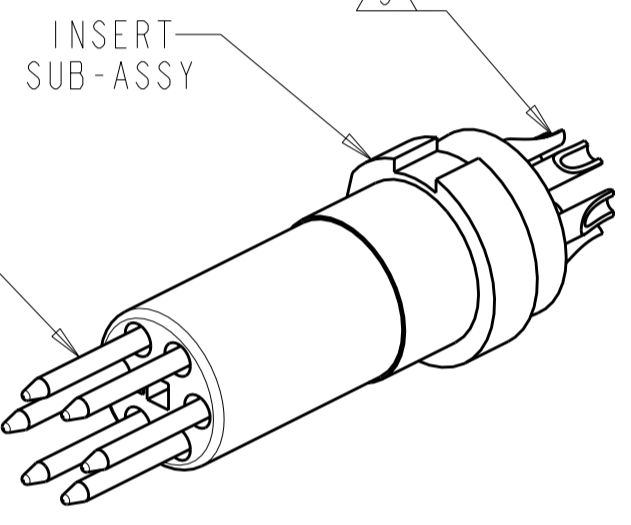


INSERT SUB-ASSY
CIRCUIT DESIGNATION VIEW

KEYED LATCH HOUSING W/ O-RING
SUB-ASSY

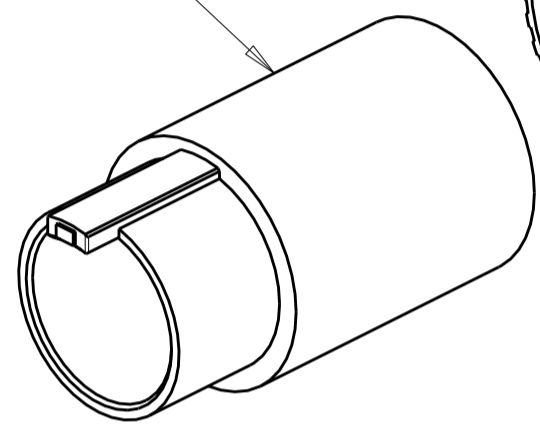


MALE CONTACT

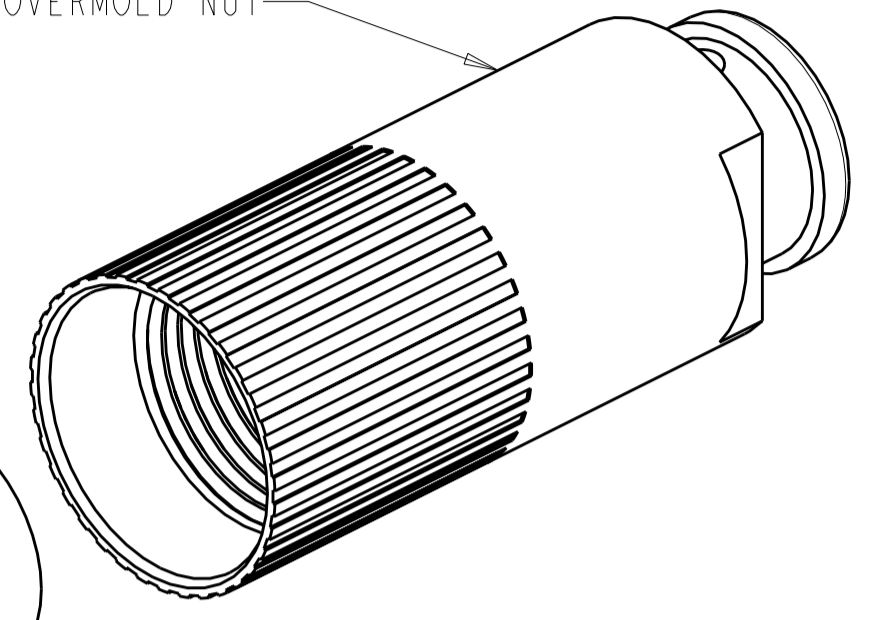


INSERT
SUB-ASSY

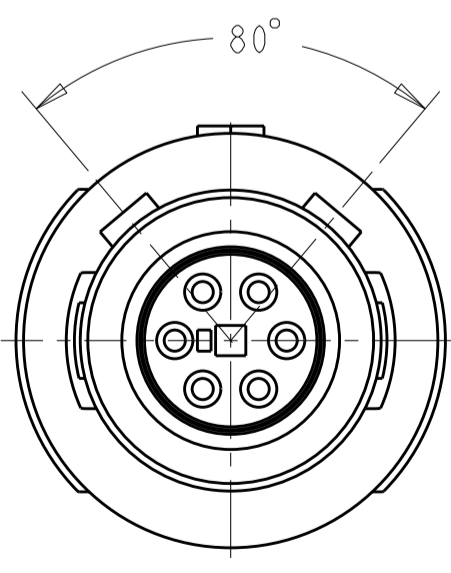
MIDPIECE



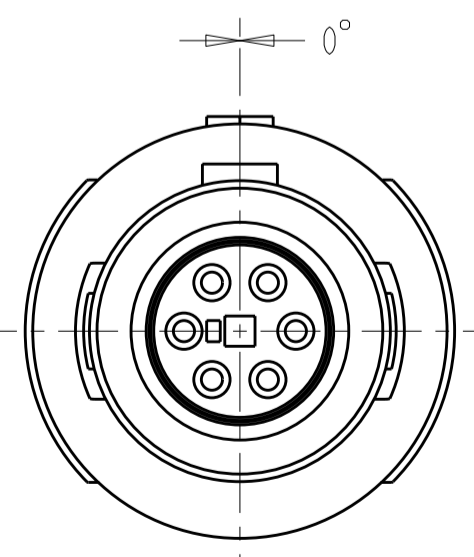
OVERMOLD NUT



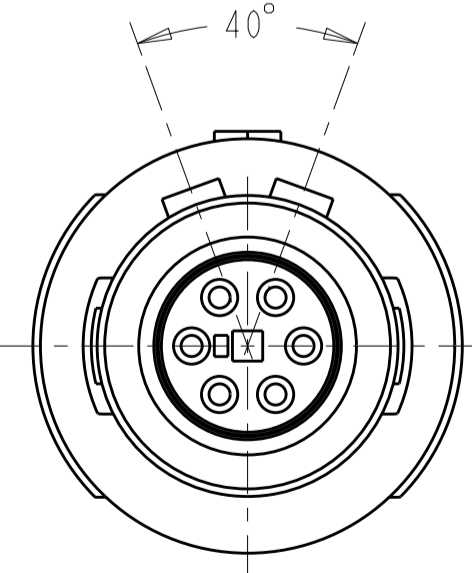
- 1 MATERIAL:
CONTACT: BRASS
LATCH HOUSING, INSERT, MIDPIECE, NUT:
UL 94V-0 RATED THERMOPLASTIC
O-RING: ELASTOMER
COLOR:
MIDPIECE AND INSERT: GRAY
LATCH HOUSING AND OVERMOLD NUT: SEE TABLE
O-RING: BLACK
- 2 FINISH:
CONTACT, 0.75µm MIN. GOLD OVER NICKEL
- 3 SOLDER TERMINATION CONTACT, 26 AWG WIRE MAX.
- 4. PRODUCT IS SUPPLIED UNASSEMBLED.
- 5 PRELIMINARY PART NUMBER.



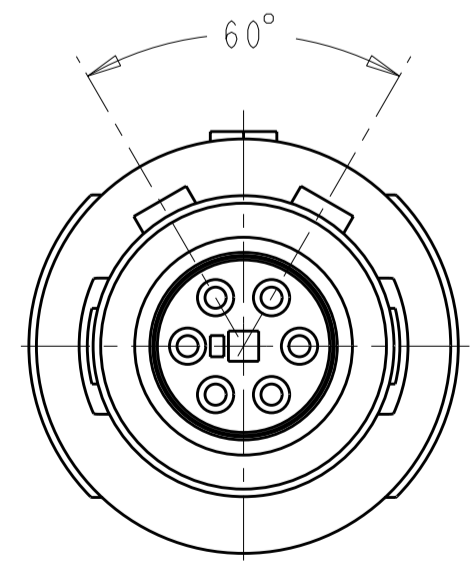
80° KEYING
SCALE 4:1



0° KEYING
SCALE 4:1



40° KEYING
SCALE 4:1



60° KEYING
SCALE 4:1

5	GRAY	60°	1877850-8
5	BLACK	60°	1877850-7
	GRAY	40°	1877850-6
	BLACK	40°	1877850-5
	GRAY	80°	1877850-4
	GRAY	0°	1877850-3
	BLACK	80°	1877850-2
	BLACK	0°	1877850-1
	LATCH HOUSING AND NUT COLOR	KEYING	PART NO.

<small>THIS DRAWING IS A CONTROLLED DOCUMENT FOR TYCO ELECTRONICS CORPORATION. IT IS SUBJECT TO CHANGE AND THE CONTROLLING ENGINEERING ORGANIZATION SHOULD BE CONTACTED FOR THE LATEST REVISION.</small>		DWN: K. MILLER 09MAR2006 CHK: L. BREKOSKY 09MAR2006 APVD: -	Tyco Electronics Harrisburg, PA 17105-3608
DIMENSIONS: mm	TOLERANCES UNLESS OTHERWISE SPECIFIED: 0 PLC ±- 1 PLC ±0.13 2 PLC ±0.08 3 PLC ±- 4 PLC ±- ANGLES ±1° FINISH	PRODUCT SPEC: 108-2249 APPLICATION SPEC: 114-13184 WEIGHT: -	NAME: 6 POSITION OVERMOLD CABLE NUT STRAIGHT PLUG ASSEMBLY SIZE: A2 CAGE CODE: 00779 DRAWING NO: C-1877850 RESTRICTED TO: -
MATERIAL: 1 -		CUSTOMER DRAWING SCALE: 5:1 SHEET 1 OF 1 REV B4	