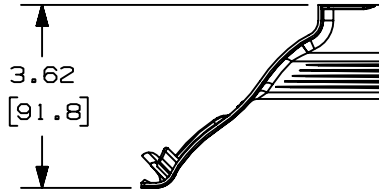
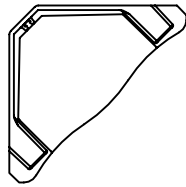


THIS COPY IS PROVIDED ON A RESTRICTED BASIS AND IS NOT TO BE USED IN ANY WAY DETRIMENTAL TO THE INTERESTS OF PANDUIT CORP.

BASE

COVER



3.62  
[91.8]

2.88  
[73.1]

MOUNTING HOLES  
(4 PLACES)

4.83  
[122.8]

5.29  
[134.5]

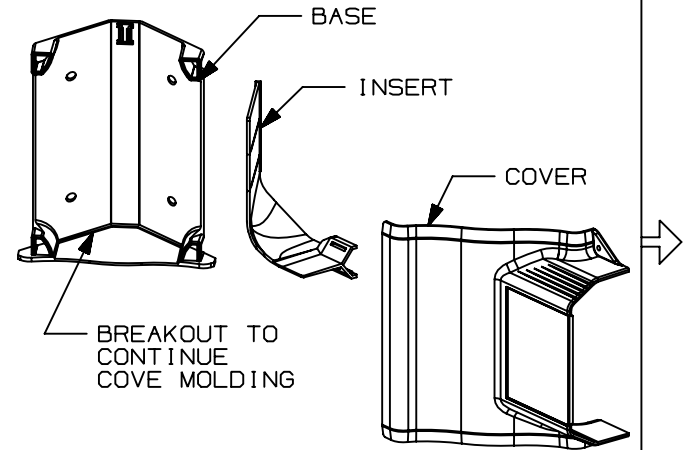
.59  
[15.0]

5.51  
[139.8]

PANDUIT P/N	WEIGHT
WCM35TR70	.40 LB/ EACH (181g / EACH)

NOTES:

1. SEE CURRENT CATALOG FOR ADDITIONAL PART SUFFIXES TO INDICATE COLOR AND OR PACKAGE QUANTITY.
2. DIMENSIONS IN PARENTHESIS ARE IN METRIC.
3. INSERT PROVIDES MINIMUM 1" BEND RADIUS CONTROL.
4. MOUNTING HOLES PROVIDED FOR #10 SCREW.



LEFT

INSERTS

RIGHT

.79  
[20.0]

SCORE LINE  
(TYPICAL  
2 PLACES)

.79  
[20.0]

CAD FILENAME/LAYERS D38517BJ\_DC\_WCM35TR70\_01C.PRT

**PANDUIT** CORP TINLEY PARK, ILLINOIS  
3.5" COVE MOLDING TO T70  
TRANSITION FITTING (WCM35TR70)  
CUSTOMER DRAWING

3	12-21-04	JBN	RPA	B. ADDED MATERIAL INFORMATION	38517-06	RGRO	RGRO			
2	09-10-04	JBN	RPA	RELEASED TO PRODUCTION	38517-06	RGRO	RGRO			
1	07-22-04	JBN	RPA	A. REVISED GEOMETRY						
R	04-08-03	JHNU	RPA	DRAWING RELEASED						
REV	DATE	BY	CHK	DESCRIPTION	ECN	-	R	CUST	SUP	GMBH

UNLESS OTHERWISE SPECIFIED, DIMENSIONAL TOLERANCES ARE: (.X) ± (.XXX) ± (.XX) ± .03 (.8) ANGLES ±		UNLESS OTHERWISE SPECIFIED, ALL DIMENSIONS ARE GIVEN IN INCHES, THIRD ANGLE PROJECTION.	
DRAWN BY JHNU	MAT'L: PVC	SCALE NONE	
DATE 04-08-03	CHK'D RPA	DRAWING NO. 38517-06	DWG A SIZE