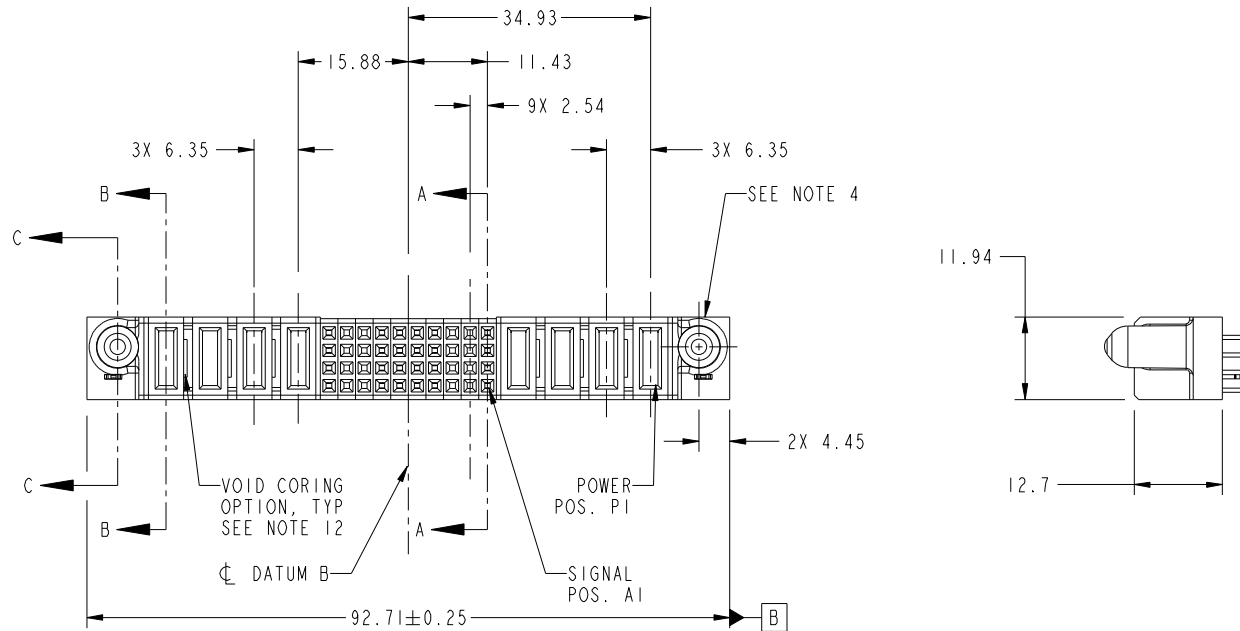


Tous droits strictement reserves. Reproduction ou communication a des tiers interdite sous quelque forme que ce soit sans autorisation écrite du propriétaire. Propriete de c FCI. Droits de reproduction FCI.



All rights strictly reserved. Reproduction or issue to third parties in any form whatever is not permitted without written authority from the proprietor. Property of FCI. Copyright FCI.

PRODUCT NO.	ROWS	POWER				SIGNAL										POWER						
		E2	P8	P7	P6	P5	10	9	8	7	6	5	4	3	2	1	P4	P3	P2	P1	E1	
51750-098-- NOTE: 3	D C B A		PA	PD	PD	PA	E	X	X	E	E	E	E	E	X	X	E	PA	PD	PD	PA	



CODE	DIM "M" MATING LENGTH	CONTACT TYPE
E	[N/A]	SIGNAL
PA	[1.07]	POWER
HA	[N/A]	HOLD-DOWN
PD	[2.34]	POWER
X	OMITTED	OMITTED

mat'l code				SEE NOTES		tolerances unless otherwise specified		CUSTOMER		FCI	
ltr	ecn no.	dr	date	linear	0.X ±0.5	projection		COPY		www.fciconnect.com	
A	DG10-0044	AL	01/29/2010	angles	0.XX ±0.25	MIM		title		4P +40S +4P VERTICAL STB RECEPT	
				dr	0.XXX ±0.1	scale		product family		PwrBlade code	
				enr	0° ±2°	1:1		size		213	
				chr	Anson Liu 01/29/2010			dwg no		51750-098 sheet	
				appd	Jerome Chen 01/29/10			A		1 of 4	
					PM Zheng 01/29/2010						
					Joseph Hsia 01/29/2010						
sheet index	revision sheet	A	A	A	A						
		1	2	3	4						

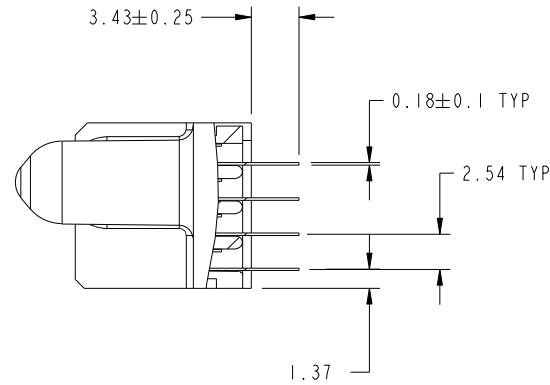
cage code 22526

Tous droits strictement reserves. Reproduction ou communication a des tiers interdite sous quelque forme que ce soit sans autorisation ecrite du proprietaire. Propriete de c FCI. Droits de reproduction FCI.

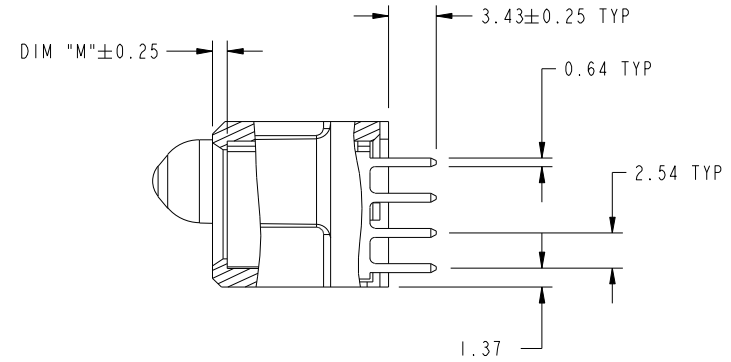


All rights strictly reserved. Reproduction or issue to third parties in any form whatever is not permitted without written authority from the proprietor. Property of FCI. Copyright FCI.

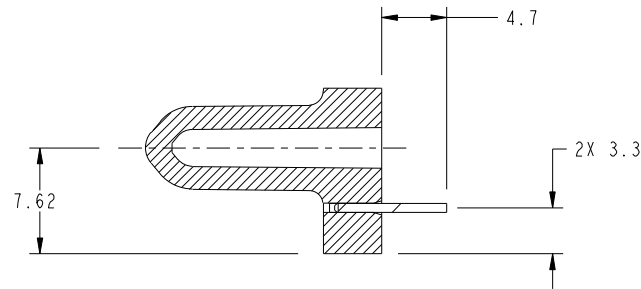
PRODUCT NUMBER
51750-098_
NOTE: 3



SECTION A-A
SCALE 2:1



SECTION B-B
SCALE 2:1



SECTION C-C
SCALE 2:1

mat'l code				tolerances unless otherwise specified		CUSTOMER		FCI	
ltr	ecn no.	dr	date	linear	0.X ± 0.5	COPY		www.fciconnect.com	
A					0.XX ± 0.25	projection		title	
				angles	0.XXX ± 0.1			4P + 40S + 4P VERTICAL STB RECEIPT	
				dr	Anson Liu 01/29/2010			product family PwrBlade code	
				enr	Jerome Chen 01/29/10			size dwg no 213	
				chr	PM Zheng 01/29/2010	scale 1:1		sheet 2 of 4	
				appd	Joseph Hsia 01/29/2010	A		51750-098	
sheet index	revision sheet								

cage code 22526

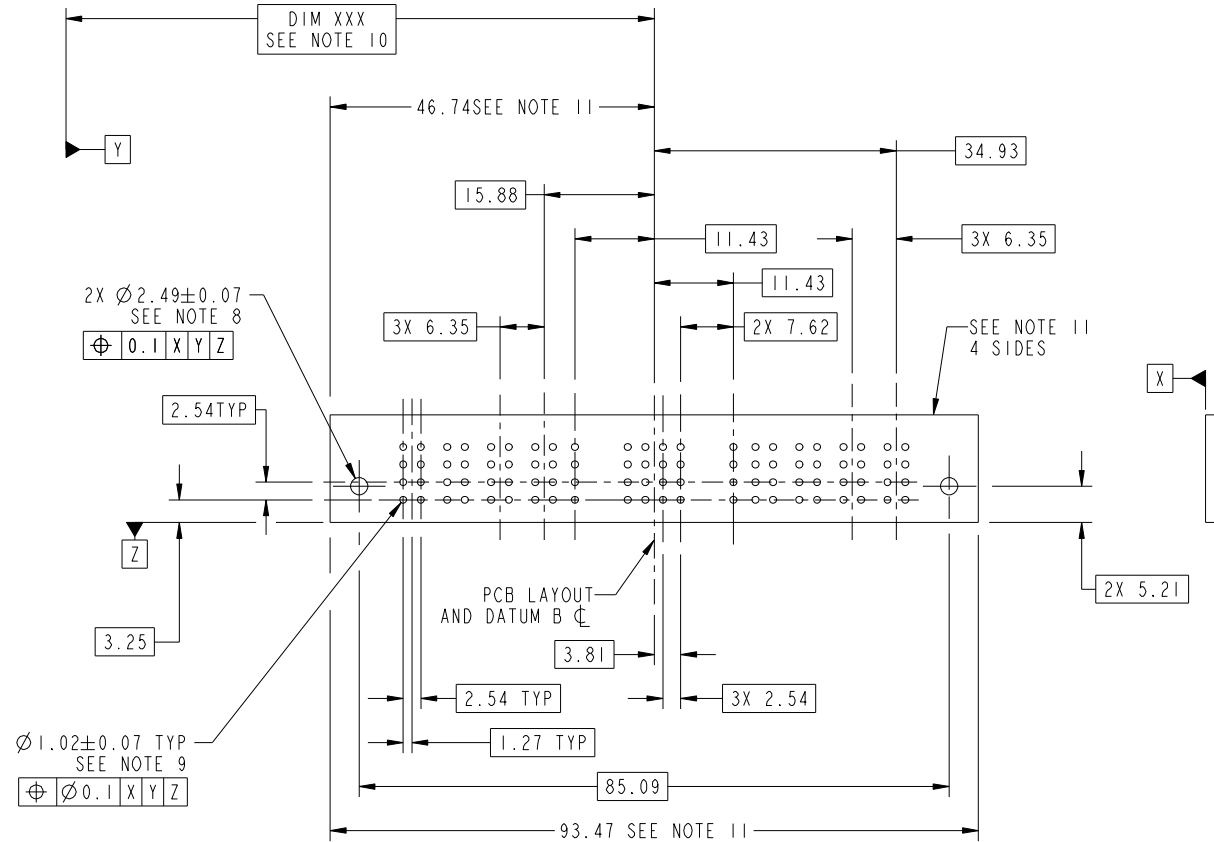
Pro/E

Tous droits strictement reserves. Reproduction ou communication a des tiers interdite sous quelque forme que ce soit sans autorisation écrite du propriétaire. Propriete de c FCI. Droits de reproduction FCI.

All rights strictly reserved. Reproduction or issue to third parties in any form whatever is not permitted without written authority from the proprietor. Property of FCI. Copyright FCI.



PRODUCT NUMBER
51750-098_
NOTE: 3



RECOMMENDED PCB LAYOUT

mat'l code				tolerances unless otherwise specified		CUSTOMER		FCI	
ltr	ecn no.	dr	date	linear	0.X ± 0.5	COPY		www.fciconnect.com	
A					0.XX ± 0.25	projection		title	
				angles	0.XXX ± 0.1			4P +40S +4P VERTICAL STB RECEPT	
				dr	0° ± 2°	MIM		product family PwrBlade code	
				enr	Anson Liu 01/29/2010	scale		size	
				chr	Jerome Chen 01/29/10	1:1		dwg no	
				appd	PM Zheng 01/29/2010			51750-098	
					Joseph Hsia 01/29/2010			sheet	
sheet index	revision sheet							3 of 4	

cage code 22526

Pro/E

Tous droits strictement reserves. Reproduction ou communication a des tiers interdite sous quelque forme que ce soit sans autorisation écrite du propriétaire. Propriete de c FCI. Droits de reproduction FCI.

All rights strictly reserved. Reproduction or issue to third parties in any form whatever is not permitted without written authority from the proprietor. Property of FCI. Copyright FCI.

PRODUCT NUMBER
51750-098_
NOTE: 3

NOTES:

1. DIMENSIONS AND TOLERANCES ARE IN ACCORDANCE WITH ASME Y14.5M, 1994 UNLESS OTHERWISE SPECIFIED.

CONNECTOR NOTES:

- 2 HOUSING MATERIAL: UL 94 V-0 GLASS FILLED HIGH-TEMP THERMOPLASTIC
POWER CONTACT MATERIAL: COPPER ALLOY
SIGNAL PIN MATERIAL: COPPER ALLOY
 - 3. PLATING SPEC.
SEE ITEM 5&6 IN PRINT 10064183 FOR PLATING SPEC OF 51750-098,51750-098LF RESPECTIVELY.
 - 4 MANUFACTURER'S NAME, DATE CODE AND OPTIONAL P/N TO APPEAR ON THIS SURFACE. THE P/N CAN BE OMITTED IF THERE IS NOT ENOUGH SPACE ON THIS SURFACE.
 - 5. PRODUCT SPECIFICATION GS-12-149.
APPLICATION SPECIFICATION BUS-20-067.
 - 6. PACKAGED IN TRAYS.
- PCB NOTES:
- 7. ALL HOLE DIAMETERS ARE FINISHED HOLE SIZE.
 - 8 MOUNTING HOLES, WHERE APPLICABLE, ARE UNPLATED.
 - 9 $\varnothing 1.151 \pm 0.025$ DRILLED HOLES PLATED WITH 0.008 MIN SnPb OR Sn OVER 0.03 TO 0.08 Cu PLATING TO ACHIEVE $\varnothing 1.02 \pm 0.07$ HOLE.
 - 10 "DIM XXX" TO BE DETERMINED BY THE CUSTOMER.
 - 11 CONNECTOR KEEP-OUT ZONE.
12. THE VOID CORING IN BETWEEN POWER MODULES, SIGNAL MODULES AND END MODULES ARE OPTIONAL AND THE SHAPE MAY BE DIFFERENT FOR OPTIMIZE THE MOLDING PROCESS. THE VOID CORING WILL NOT EFFECT TO PRODUCT FUNCTION.

mat'l code				tolerances unless otherwise specified		CUSTOMER		FCI		www.fciconnect.com	
ltr	ecn no.	dr	date	linear	0.X ± 0.5	COPY		projection	title		
A					0.XX ± 0.25	MIM			4P +40S +4P VERTICAL STB RECEPT		
				angles	0.XXX ± 0.1	← MIM →			product family PwrBlade code		
				dr	Anson Liu 01/29/2010	scale		A	size		213
				enr	Jerome Chen 01/29/10	1:1			dwg no		sheet
				chr	PM Zheng 01/29/2010				51750-098		4 of 4
				appd	Joseph Hsia 01/29/2010						
sheet index	revision sheet										

cage code 22526

Pro/E