

## Evaluation Board for **ADCMP396** Quad Comparator with Accurate Reference Output

### FEATURES

**Positive and negative voltage monitoring**  
**LED indicated voltage output status**  
**Test points for easy probing**

### PACKAGE CONTENTS

**EVAL-ADCMP396EBZ** evaluation board

### EVALUATION BOARD DESCRIPTION

The **EVAL-ADCMP396EBZ** features accurate positive and negative voltage monitoring with 0.9% accuracy. The evaluation board uses LEDs to indicate an overvoltage or undervoltage event in both positive and negative voltage being monitored.

### DEVICE DESCRIPTION

The **ADCMP396** is a quad rail-to-rail input low power comparator suitable for general-purpose applications. The **ADCMP396** consumes only 41.61  $\mu\text{A}$  of supply current making it ideal for battery-powered systems.

The **ADCMP396** has a common-mode input range of 200 mV beyond rails, a typical offset voltage of 1 mV across the full common-mode range, and an undervoltage lockout (UVLO) monitor. In addition, the design of the comparator allows a defined output state upon power-up, it generates a logic low output while the supply is still below the UVLO threshold.

The **ADCMP396** incorporates a 1 V  $\pm$  0.9% buffered reference voltage over line, load, and temperature.

### EVALUATION BOARD PHOTOGRAPH

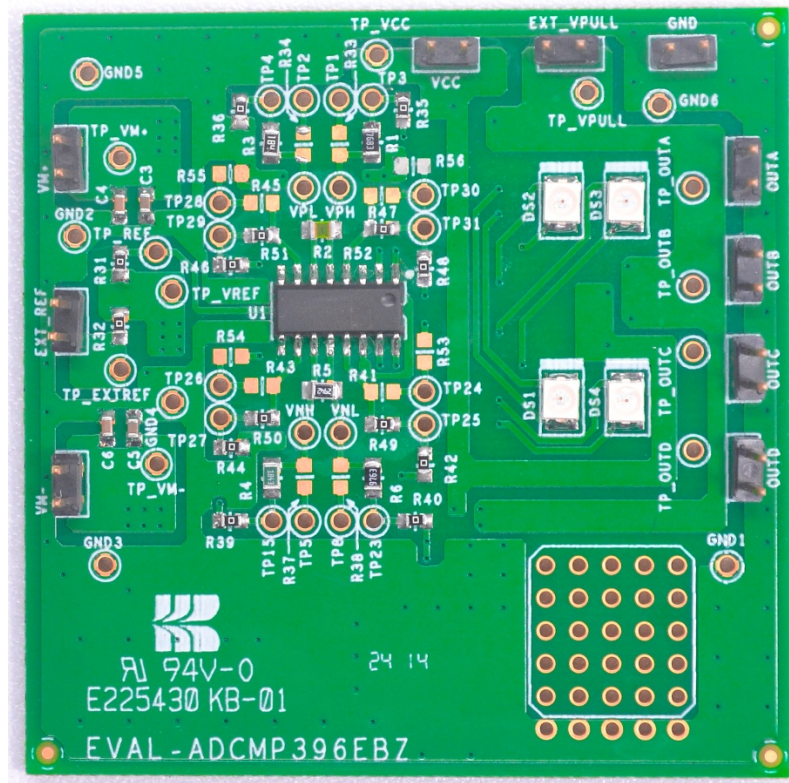


Figure 1.

**TABLE OF CONTENTS**

Features .....	1	Positive and Negative Voltage Monitoring.....	3
Package Contents.....	1	Positive and Negative Voltage Monitoring Example .....	4
Evaluation Board Description.....	1	Switch, Jumper, LED, and Connector Functions .....	5
Device Description .....	1	Evaluation Board Overview .....	6
Evaluation Board Photograph.....	1	Evaluation Board Schematic and Artwork.....	7
Revision History .....	2	Ordering Information.....	9
Evaluation Board Hardware.....	3	Bill of Materials.....	9

**REVISION HISTORY**

12/14—Revision 0: Initial Version

## EVALUATION BOARD HARDWARE

### POSITIVE AND NEGATIVE VOLTAGE MONITORING

When monitoring a positive supply, the desired nominal operating voltage for monitoring is denoted by  $V_M$ ,  $I_M$  is the nominal current through the resistor divider,  $V_{OV}$  is the overvoltage trip point, and  $V_{UV}$  is the undervoltage trip point.

Figure 2 illustrates the positive voltage monitoring input connection. Three external resistors, R1, R2, and R3, divide the positive voltage for monitoring,  $V_{M+}$ , into high-side voltage,  $V_{PH}$ , and low-side voltage,  $V_{PL}$ .

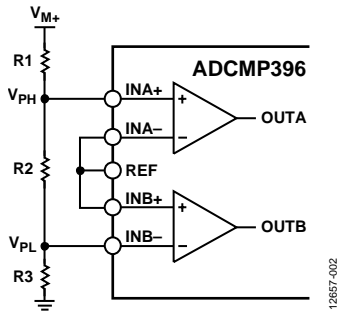


Figure 2. Positive Undervoltage/Overvoltage Monitoring Configuration

To trigger an overvoltage condition, the low-side voltage (in this case,  $V_{PL}$ ) must exceed the  $V_{REF}$  threshold. The low-side voltage,  $V_{PL}$ , is given by Equation 1:

$$V_{PL} = V_{REF} = V_{OV+} \left( \frac{R3}{R1 + R2 + R3} \right) \quad (1)$$

where  $R1 + R2 + R3 = \frac{V_{M+}}{I_{M+}}$

Therefore, R3, which sets the desired trip point for the overvoltage monitor, is calculated using Equation 2:

$$R3 = \frac{(V_{REF})(V_{M+})}{(V_{OV+})(I_{M+})} \quad (2)$$

To trigger the undervoltage condition, the high-side voltage,  $V_{PH}$ , must be less than the  $V_{REF}$  threshold. The high-side voltage,  $V_{PH}$ , is given by Equation 3:

$$V_{PH} = V_{REF} = V_{UV+} \left( \frac{R2 + R3}{R1 + R2 + R3} \right) \quad (3)$$

Because R3 is already known, R2 can be expressed as follows:

$$R2 = \frac{(V_{REF})(V_{M+})}{(V_{UV+})(I_{M+})} - R3 \quad (4)$$

When R2 and R3 are known, R1 is calculated using Equation 5:

$$R1 = \frac{V_{M+}}{I_{M+}} - R2 - R3 \quad (5)$$

If  $V_{M+}$ ,  $I_{M+}$ ,  $V_{OV+}$ , or  $V_{UV+}$  change, each step must be recalculated.

Figure 3 shows the circuit configuration for the negative supply voltage monitoring. To monitor a negative voltage, a reference

voltage is required to connect to the end node of the voltage divider circuit, in this case REF.

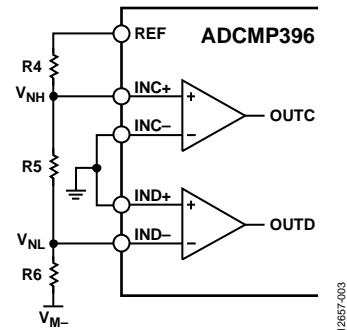


Figure 3. Negative Undervoltage/Overvoltage Monitoring Configuration

Equation 2, Equation 4, and Equation 5 need some minor modifications for use with negative voltage monitoring. The reference voltage,  $V_{REF}$ , is added to the overall voltage drop; it must therefore be subtracted from  $V_{M-}$ ,  $V_{UV-}$ , and  $V_{OV-}$  before using each in negative voltage monitoring.

Three external resistors, R4, R5, and R6, divide the positive voltage for monitoring,  $V_{M-}$ , into the high-side voltage,  $V_{NH}$ , and low-side voltage,  $V_{NL}$ .

To trigger an overvoltage condition, the monitored voltage must be more negative than the nominal voltage, the high-side voltage (in this case,  $V_{NH}$ ) must be more negative than ground. The high-side voltage,  $V_{NH}$ , is given by Equation 6:

$$V_{NH} = GND = \left[ (V_{REF} - V_{OV-}) \left( \frac{R5 + R6}{R4 + R5 + R6} \right) \right] + V_{OV-} \quad (6)$$

where  $R4 + R5 + R6 = \frac{(V_{M-} - V_{REF})}{I_{M-}}$

Therefore, R4, which sets the desired trip point for the overvoltage monitor, is calculated using Equation 7:

$$R4 = \frac{V_{REF}(V_{M-} - V_{REF})}{I_{M-}(V_{REF} - V_{OV-})} \quad (7)$$

To trigger an undervoltage condition, the monitored voltage must be more positive than the nominal voltage, the low-side voltage (in this case,  $V_{NL}$ ) must be more positive than ground. Equation 8 gives the low-side voltage,  $V_{NL}$ :

$$V_{NL} = GND = \left[ (V_{REF} - V_{UV-}) \left( \frac{R6}{R4 + R5 + R6} \right) \right] + V_{UV-} \quad (8)$$

Because R4 is already known, R5 can be expressed as follows:

$$R5 = \frac{V_{REF}(V_{M-} - V_{REF})}{I_{M-}(V_{REF} - V_{UV-})} - R4 \quad (9)$$

When R4 and R5 are known, R6 is calculated using the following formula:

$$R6 = \frac{(V_{M-} - V_{REF})}{I_{M-}} - R5 - R4 \quad (10)$$

## POSITIVE AND NEGATIVE VOLTAGE MONITORING EXAMPLE

The EVAL-ADCMP396EBZ is designed to monitor  $3.3\text{ V} \pm 10\%$  both in positive and negative polarities.

The nominal voltage for the EVAL-ADCMP396EBZ is  $3.3\text{ V}$  and the nominal current through the resistor divider is  $5\text{ }\mu\text{A}$  for positive voltage monitoring and  $-5\text{ }\mu\text{A}$  for negative voltage monitoring.

For the positive voltage monitoring, threshold  $V_{OV+}$  and  $V_{UV+}$  are  $3.63\text{ V}$  and  $2.97\text{ V}$ , respectively. The  $V_{REF}$  used is the  $1\text{ V}$  reference of the ADCMP396. Use Equation 2 for R3.

$$R3 = \frac{(V_{REF})(V_{M+})}{(V_{OV+})(I_{M+})}$$

$$R3 = \frac{(1\text{ V})(3.3\text{ V})}{(3.63\text{ V})(5\text{ }\mu\text{A})}$$

$$R3 = 181.8\text{ k}\Omega$$

Because R3 is already known, compute for R2 using Equation 4,

$$R2 = \frac{(V_{REF})(V_{M+})}{(V_{UV+})(I_{M+})} - R3$$

$$R2 = \frac{(1\text{ V})(3.3\text{ V})}{(2.97)(5\text{ }\mu\text{A})} - 181.8\text{ k}\Omega$$

$$R2 = 40.4\text{ k}\Omega$$

When both R2 and R3 are known, compute for R1 using Equation 5,

$$R1 = \frac{V_{M+}}{I_{M+}} - R2 - R3$$

$$R1 = \frac{3.3\text{ V}}{5\text{ }\mu\text{A}} - 181.8\text{ k}\Omega - 40.4\text{ k}\Omega$$

$$R1 = 437.78\text{ k}\Omega$$

For the negative voltage monitoring, thresholds for  $V_{OV-}$  and  $V_{UV-}$  are  $-3.63\text{ V}$  and  $-2.97\text{ V}$ , respectively. Negative voltage monitoring also uses the  $1\text{ V}$  reference of the ADCMP396 as  $V_{REF}$ . Compute for R4 using Equation 7:

$$R4 = \frac{V_{REF}(V_{M-} - V_{REF})}{I_{M-}(V_{REF} - V_{OV-})}$$

$$R4 = \frac{1\text{ V}(-3.3\text{ V} - 1\text{ V})}{-5\text{ }\mu\text{A}(1\text{ V} + 3.63\text{ V})}$$

$$R4 = 185.8\text{ k}\Omega$$

Because R4 is already known, compute for R5 using Equation 9,

$$R5 = \frac{V_{REF}(V_{M-} - V_{REF})}{I_{M-}(V_{REF} - V_{UV-})} - R4$$

$$R5 = \frac{1\text{ V}(-3.3\text{ V} - 1\text{ V})}{-5\text{ }\mu\text{A}(1\text{ V} + 2.97\text{ V})} - 185.8\text{ k}\Omega$$

$$R5 = 30.9\text{ k}\Omega$$

When both R4 and R5 are known, compute for R6 using Equation 10,

$$R6 = \frac{(V_{M-} - V_{REF})}{I_{M-}} - R5 - R4$$

$$R6 = \frac{(-3.3\text{ V} - 1\text{ V})}{-5\text{ }\mu\text{A}} - 185.8\text{ k}\Omega - 30.9\text{ k}\Omega$$

$$R6 = 643.3\text{ k}\Omega$$

Calculated resistor values are replaced with the following standard values:

$$R1 = 432\text{ k}\Omega$$

$$R2 = 40.2\text{ k}\Omega$$

$$R3 = 180\text{ k}\Omega$$

$$R4 = 184\text{ k}\Omega$$

$$R5 = 29.4\text{ k}\Omega$$

$$R6 = 634\text{ k}\Omega$$

Because the resistor values were changed, the actual overvoltage and undervoltage trip points are changed. The actual  $V_{OV}$  and  $V_{UV}$  thresholds can be computed by the following formulas:

$$R_{T+} = R1 + R2 + R3 \quad (11)$$

$$R_{T-} = R4 + R5 + R6 \quad (12)$$

$$V_{OV+} = \frac{V_{REF}(R_{T+})}{R3} \quad (13)$$

$$V_{OV+} = 3.623\text{ V}$$

$$V_{UV+} = \frac{V_{REF}(R_{T+})}{(R2 + R3)} \quad (14)$$

$$V_{UV+} = 2.962\text{ V}$$

$$V_{OV-} = \frac{-V_{REF}(R5 + R6)}{R4} \quad (15)$$

$$V_{OV-} = -3.605\text{ V}$$

$$V_{UV-} = \frac{-V_{REF}(R6)}{R4 + R5} \quad (16)$$

$$V_{UV-} = -2.971\text{ V}$$

The demo board uses LEDs to indicate if an overvoltage or an undervoltage scenario happened. Table 1 the truth table of the demo board light indication.

**Table 1. Demo Board Light Indication Truth Table**

Monitored Voltage	Fault	DS1	DS2	DS3	DS4
$V_{M+}$	$V_{OV}$				
	$V_{UV}$				
$V_{M-}$	$V_{OV}$				
	$V_{UV}$				

**SWITCH, JUMPER, LED, AND CONNECTOR FUNCTIONS**

**Table 2. Pin Header Functions**

Connector	Description
V <sub>CC</sub>	Supply connector. Connect 2.3 V to 5.5 V.
EXT_VPULL	Input pin for the pull-up voltage.
EXT_VREF	Input pin for an external reference voltage.
VM+	Input pin for the positive voltage being monitored.
VM-	Input pin for the negative voltage being monitored.
OUTA	Output pin of Channel A.
OUTB	Output pin of Channel B.
OUTC	Output pin of Channel C.
OUTD	Output pin of Channel D.

**Table 3. LED Functions**

LED	Description
DS1	This LED used to indicate an undervoltage event in the positive voltage.
DS2	This LED used to indicate an overvoltage event in the positive voltage.
DS3	This LED used to indicate an overvoltage event in the negative voltage.
DS4	This LED used to indicate an undervoltage event in the negative voltage.

**Table 4. Test Points**

Test Point	Description
VPH	Positive high-side voltage.
VPL	Positive low-side voltage.
VNH	Negative high-side voltage.
VNL	Negative low-side voltage.
TP_REF	<a href="#">ADCMP396</a> reference test point.
TP_VREF	Reference voltage used for the resistor dividers.
TP_VPULL	External pull-up voltage.
TP_VCC	Supply voltage.
TP_VM+	Positive voltage.
TP_VM-	Negative voltage.
GND1	Ground.
GND2	Ground.
GND3	Ground.
GND4	Ground.
GND5	Ground.
GND6	Ground.
TP_OUTA	OUTA.
TP_OUTB	OUTB.
TP_OUTC	OUTC.
TP_OUTD	OUTD.

EVALUATION BOARD OVERVIEW

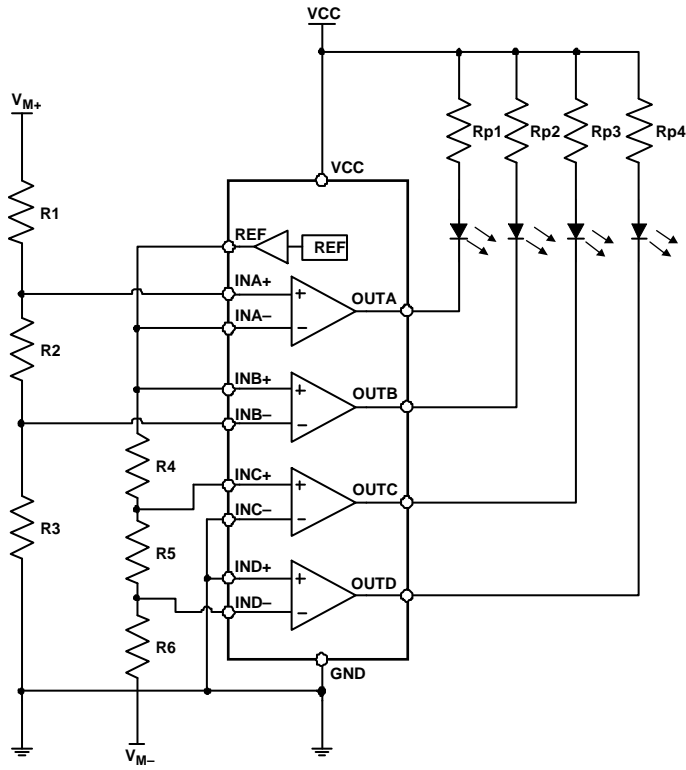


Figure 4. Evaluation Board Simplified Schematic

12857-004

# EVALUATION BOARD SCHEMATIC AND ARTWORK

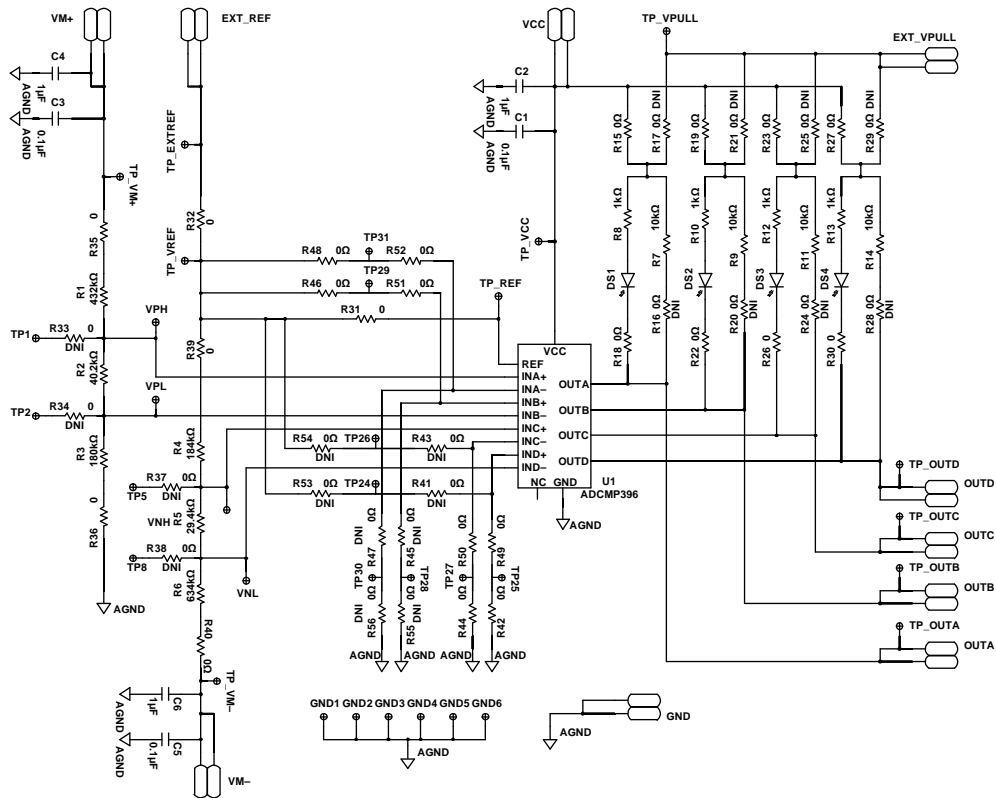


Figure 5. Evaluation Board Schematic

12E57-005

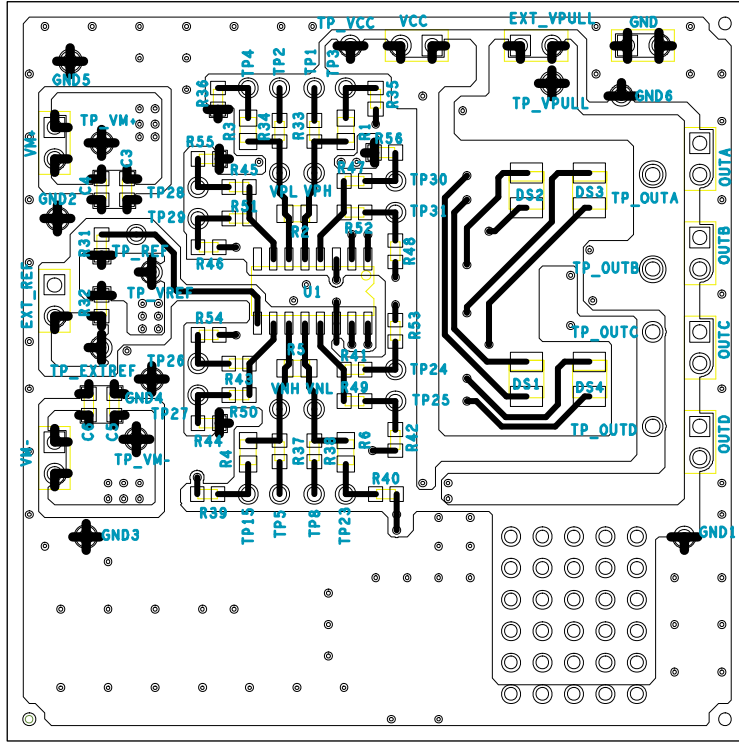


Figure 6. Evaluation Board Top Side Layout

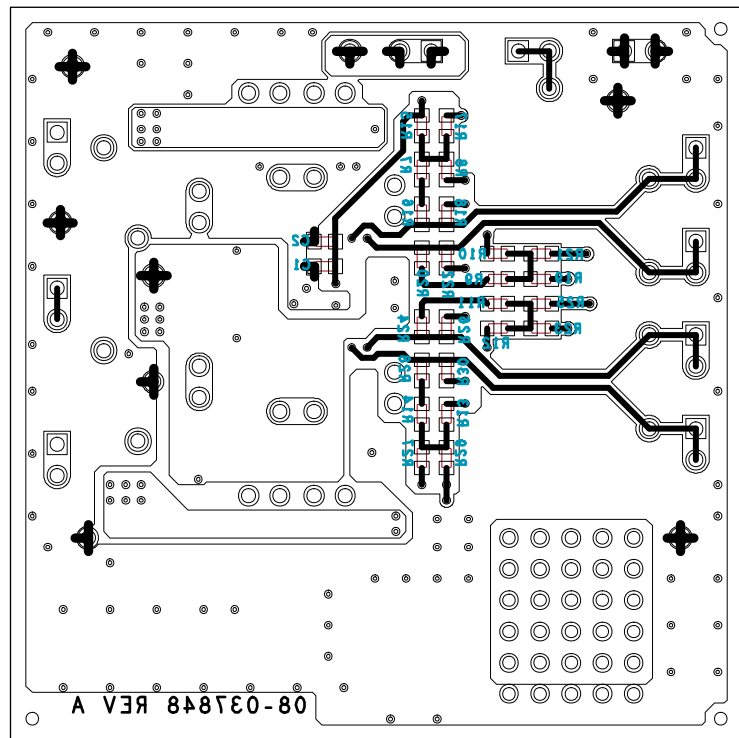


Figure 7. Evaluation Board Bottom Side Layout



# ORDERING INFORMATION

## BILL OF MATERIALS

Table 5.

Reference Designator	Part Description	Part Number
U1	Quad comparator with accurate reference output	<a href="#">ADCMP396ARZ</a>
C1, C3, C5	Capacitor, 0.1 μF, 0603, 10%, 100 V	GCM188R72A104KA64D
C2, C4, C6	Capacitor, 1 μF, 0603, 10%, 100 V	GRM188R71A105KA61D
DS1 to DS4	LED, red	VLMS30J1L2-GS08
R1	Resistor, 432 kΩ, 0805	ERA-6AEB4323V
R2	Resistor, 40.2 kΩ, 0805	PAT0805E4022BST1
R3	Resistor, 180 kΩ, 0805	RC0805JR-07180KL
R4	Resistor, 184 kΩ, 0805	PAT0805E1843BST1
R5	Resistor, 29.4 kΩ, 0805	ERJ-6ENF2942
R6	Resistor, 634 kΩ, 0805	ERA-6AEB6343V
R7, R9, R11, R14	Resistor, 10 kΩ, 0603	ERA-3YEB103V
R8, R10, R12, R13	Resistor, 1 kΩ, 0603	ERJ-3EKF1001V
R15, R18, R19, R22, R23, R26, R27, R30, R31, R35, R36, R39, R40, R42, R44, R46, R48 to R52	Resistor, 0 Ω, 0603	ERJ-3GEY0R00V



**ESD Caution**

**ESD (electrostatic discharge) sensitive device.** Charged devices and circuit boards can discharge without detection. Although this product features patented or proprietary protection circuitry, damage may occur on devices subjected to high energy ESD. Therefore, proper ESD precautions should be taken to avoid performance degradation or loss of functionality.

**Legal Terms and Conditions**

By using the evaluation board discussed herein (together with any tools, components documentation or support materials, the "Evaluation Board"), you are agreeing to be bound by the terms and conditions set forth below ("Agreement") unless you have purchased the Evaluation Board, in which case the Analog Devices Standard Terms and Conditions of Sale shall govern. Do not use the Evaluation Board until you have read and agreed to the Agreement. Your use of the Evaluation Board shall signify your acceptance of the Agreement. This Agreement is made by and between you ("Customer") and Analog Devices, Inc. ("ADI"), with its principal place of business at One Technology Way, Norwood, MA 02062, USA. Subject to the terms and conditions of the Agreement, ADI hereby grants to Customer a free, limited, personal, temporary, non-exclusive, non-sublicensable, non-transferable license to use the Evaluation Board FOR EVALUATION PURPOSES ONLY. Customer understands and agrees that the Evaluation Board is provided for the sole and exclusive purpose referenced above, and agrees not to use the Evaluation Board for any other purpose. Furthermore, the license granted is expressly made subject to the following additional limitations: Customer shall not (i) rent, lease, display, sell, transfer, assign, sublicense, or distribute the Evaluation Board; and (ii) permit any Third Party to access the Evaluation Board. As used herein, the term "Third Party" includes any entity other than ADI, Customer, their employees, affiliates and in-house consultants. The Evaluation Board is NOT sold to Customer; all rights not expressly granted herein, including ownership of the Evaluation Board, are reserved by ADI. CONFIDENTIALITY. This Agreement and the Evaluation Board shall all be considered the confidential and proprietary information of ADI. Customer may not disclose or transfer any portion of the Evaluation Board to any other party for any reason. Upon discontinuation of use of the Evaluation Board or termination of this Agreement, Customer agrees to promptly return the Evaluation Board to ADI. ADDITIONAL RESTRICTIONS. Customer may not disassemble, decompile or reverse engineer chips on the Evaluation Board. Customer shall inform ADI of any occurred damages or any modifications or alterations it makes to the Evaluation Board, including but not limited to soldering or any other activity that affects the material content of the Evaluation Board. Modifications to the Evaluation Board must comply with applicable law, including but not limited to the RoHS Directive. TERMINATION. ADI may terminate this Agreement at any time upon giving written notice to Customer. Customer agrees to return to ADI the Evaluation Board at that time. LIMITATION OF LIABILITY. THE EVALUATION BOARD PROVIDED HEREUNDER IS PROVIDED "AS IS" AND ADI MAKES NO WARRANTIES OR REPRESENTATIONS OF ANY KIND WITH RESPECT TO IT. ADI SPECIFICALLY DISCLAIMS ANY REPRESENTATIONS, ENDORSEMENTS, GUARANTEES, OR WARRANTIES, EXPRESS OR IMPLIED, RELATED TO THE EVALUATION BOARD INCLUDING, BUT NOT LIMITED TO, THE IMPLIED WARRANTY OF MERCHANTABILITY, TITLE, FITNESS FOR A PARTICULAR PURPOSE OR NON-INFRINGEMENT OF INTELLECTUAL PROPERTY RIGHTS. IN NO EVENT WILL ADI AND ITS LICENSORS BE LIABLE FOR ANY INCIDENTAL, SPECIAL, INDIRECT, OR CONSEQUENTIAL DAMAGES RESULTING FROM CUSTOMER'S POSSESSION OR USE OF THE EVALUATION BOARD, INCLUDING BUT NOT LIMITED TO LOST PROFITS, DELAY COSTS, LABOR COSTS OR LOSS OF GOODWILL. ADI'S TOTAL LIABILITY FROM ANY AND ALL CAUSES SHALL BE LIMITED TO THE AMOUNT OF ONE HUNDRED US DOLLARS (\$100.00). EXPORT. Customer agrees that it will not directly or indirectly export the Evaluation Board to another country, and that it will comply with all applicable United States federal laws and regulations relating to exports. GOVERNING LAW. This Agreement shall be governed by and construed in accordance with the substantive laws of the Commonwealth of Massachusetts (excluding conflict of law rules). Any legal action regarding this Agreement will be heard in the state or federal courts having jurisdiction in Suffolk County, Massachusetts, and Customer hereby submits to the personal jurisdiction and venue of such courts. The United Nations Convention on Contracts for the International Sale of Goods shall not apply to this Agreement and is expressly disclaimed.

©2014 Analog Devices, Inc. All rights reserved. Trademarks and registered trademarks are the property of their respective owners.  
UG12657-0-12/14(10)



www.analog.com