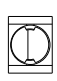
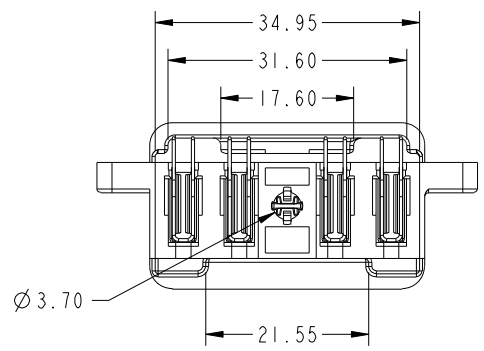
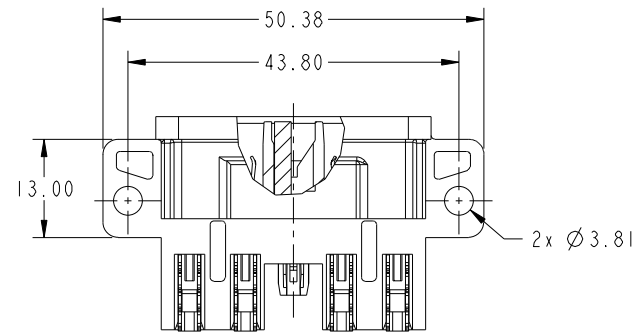
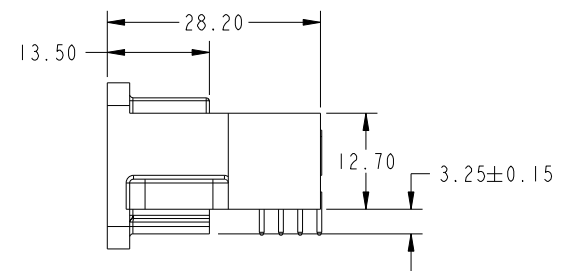
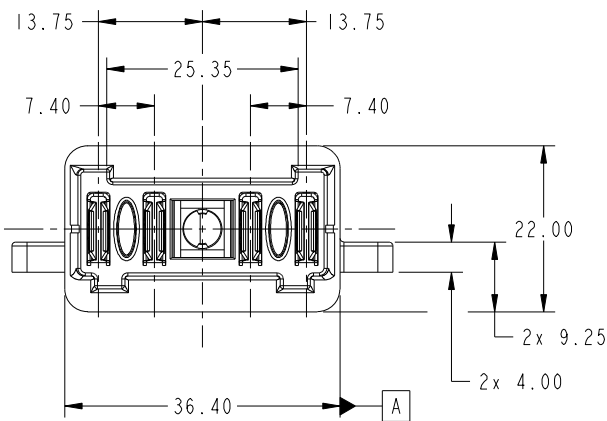
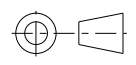


PRODUCT NO. 51939-911-- NOTE 3	POWER				
	P1	P2	CODING KEY	P3	P4
	PA	PA		PA	PA

CODE	CONTACT TYPE
PA	POWER



spec ref	*	dr	Luo Weller	2014/07/28	projection	MM	size	A4	scale	1:1
tolerance std	TOLERANCES UNLESS OTHERWISE SPECIFIED	eng	Luo Weller	2014/09/22		←→	ecn no	-	rel level	Released
surface	✓	chr	-	-	product family		rev	A		
	linear	appr	Pei-Ming Zheng	2014/09/22	title	2P + Coding + 2P	dwg no	51939-911	cat. no.	-
	angular					R/A STB HEADER		Product - Customer Drw	sheet 1 of 5	
	0.X									
	0.XX									
	0.XXX									
	±0.50									
	±0.25									
	±0.10									
	0°									
	±2°									

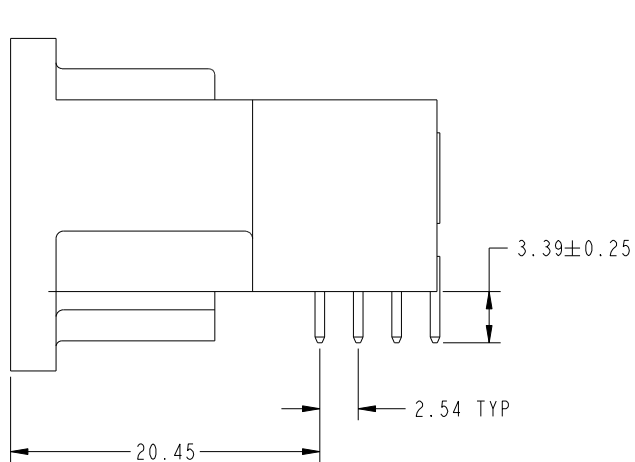


Copyright FCI.

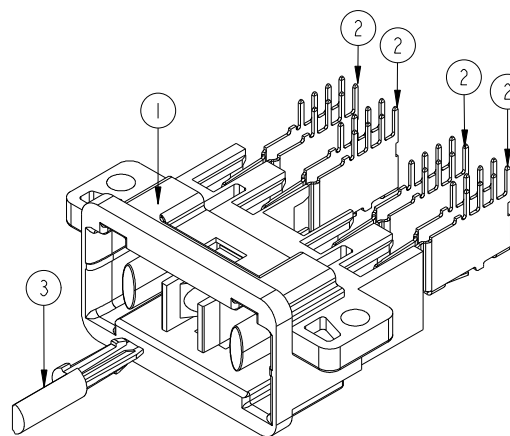
PRODUCT NUMBER

51939-911--  
NOTE: 3

INDEX	MODULE TYPE	QTY
1	HOUSING	1
2	POWER CONTACT	4
3	CODING KEY	1
NOTE 6		



SCALE 2:1



dr	Luo Weller	2014/07/28	projection 	MM 	size	A4	scale	1:1	
eng	Luo Weller	2014/09/22			ecn no	-			
chr	-	-	product family	TWINBLADE	rel level	Released			
appr	Pei-Ming Zheng	2014/09/22			title	2P + Coding + 2P R/A STB HEADER		dwg no 51939-911	rev A
www.fci.com		cat. no.	-	Product - Customer Drw			sheet 2 of 5		



Copyright FCI.

PRODUCT NUMBER  
51939-911\_\_  
NOTE 3

A

B

C

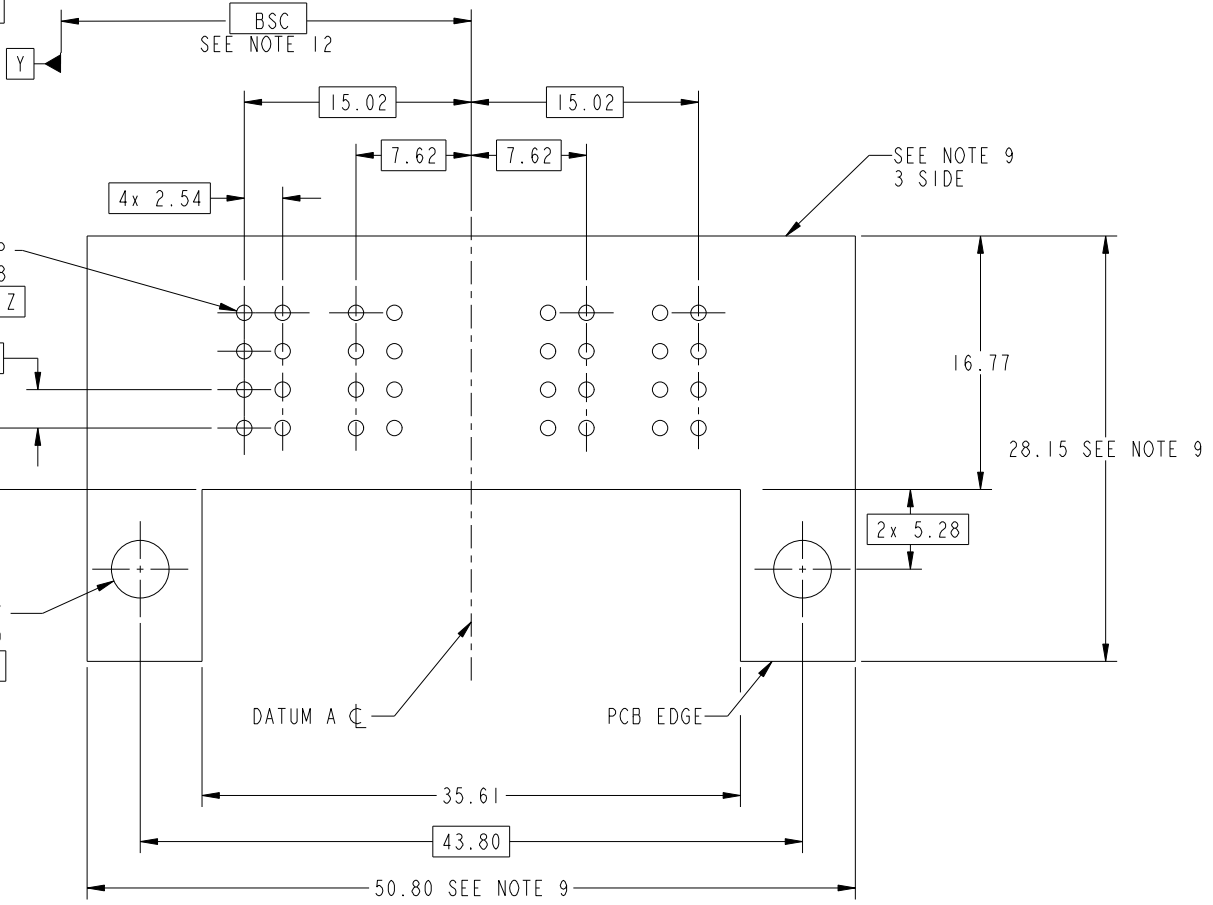
D

A

B

C

D



RECOMMENDED PCB LAYOUT

dr	Luo Weller	2014/07/28	projection 	MM ←→	size	A4	scale	2:1		
eng	Luo Weller	2014/09/22			ecn no	-				
chr	-	-	product family	TWINBLADE	rel level	Released				
appr	Pei-Ming Zheng	2014/09/22	title		2P + Coding + 2P	dwg no		51939-911	rev	A
www.fci.com		cat. no.	-	Product - Customer Drw			sheet 3 of 5			

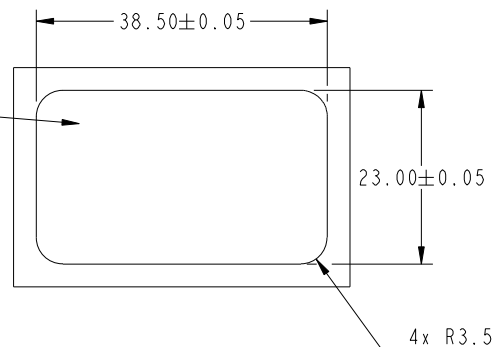


Copyright FCI.

PRODUCT NUMBER

51939-911--  
NOTE 3

CUT OUT IN FRONT PANEL  
(FCI ONLY RECOMMENDS DIMENSIONS OF  
PANEL WINDOW HOLDING CONNECTOR,  
CUSTOMER SHALL DECIDE THE OUTLINE AND  
OTHER RELATED DIMENSIONS OF PANEL )



RECOMMENDED PANEL LAYOUT

dr	Luo Weller	2014/07/28	projection	MM	size	A4	scale	1:1
eng	Luo Weller	2014/09/22			ecn no	-		
chr	-	-			rel level	Released		
appr	Pei-Ming Zheng	2014/09/22	product family	TWINBLADE				
	title	2P + Coding + 2P		dwg no	51939-911		rev	A
www.fci.com	cat. no.	-	Product - Customer Drw		sheet 4 of 5			

PRODUCT NUMBER

51939-911--  
NOTE 3

NOTES:

1. DIMENSIONS AND TOLERANCES ARE IN ACCORDANCE WITH ASME Y14.5M, 1994 UNLESS OTHERWISE SPECIFIED.
  2. CONNECTOR NOTES:  
HOUSING MATERIAL: UL 94 V-0 GLASS FILLED HIGH-TEMP THERMOPLASTIC  
CODING KEY: UL 94 V-0 GLASS FILLED HIGH-TEMP THERMOPLASTIC - COLOR: RED  
POWER CONTACT MATERIAL: COPPER ALLOY
  3. PLATING:  
SEE ITEM 1 & 2 IN PRINT 10092675 FOR PLATING SPEC OF 51939-911 AND 51939-911LF RESPECTIVELY.  
PART NUMBER 51939-911LF MEETS EUROPEAN UNION DIRECTIVE AND OTHER COUNTRY REGULATIONS AS DESCRIBED IN GS-22-008.  
THE HOUSING WILL WITHSTAND EXPOSURE TO 260° PEAK TEMPERATURE FOR 10 SECONDS IN A WAVE SOLDER APPLICATION WITH A CIRCUIT BOARD.
  4. MANUFACTURER'S NAME, P/N, AND DATE CODE TO APPEAR ON THIS SURFACE.
  5. PRODUCT SPECIFICATION GS-12-1162.  
APPLICATION SPECIFICATION BUS-20-067.  
UL CERTIFICATION E66906 VOLUME 1.1 SECTION 108 FOR TWINBLADE CONNECTOR .  
UL CERTIFICATION E41938 FOR DUST COVER & CODING KEY MATERIAL .
  6. PACKAGED IN TRAYS.  
THE CODING KEY IS PACKAGED WITH CONNECTOR IN SAME BOX SEPARATELY. AND IT WILL BE ASSEMBLED BY CUSTOMER.
- PCB NOTES:
7. ALL HOLE DIAMETERS ARE FINISHED HOLE SIZE.
  8.  $\varnothing 1.151 \pm 0.025$  DRILLED HOLES PLATED WITH 0.008 MIN Sn OVER 0.03 TO 0.08 Cu PLATING TO ACHIEVE  $\varnothing 1.02 \pm 0.07$  HOLE
  9. CONNECTOR KEEP-OUT ZONE.
  10. MOUNTING HOLES, WHERE APPLICABLE, ARE UNPLATED.
  11. RECOMMENDED RETENTION TO PCB THRU HOLE FOR M3 SCREW
  12. DATUM AND BASIC DIMENSIONS ARE ESTABLISHED BY CUSTOMER.

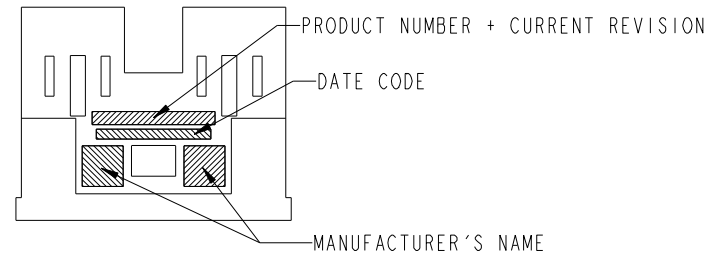


FIGURE 1  
SEE NOTE 4

dr	Luo Weller	2014/07/28	projection 	MM 	size	A4	scale	1:1
eng	Luo Weller	2014/09/22			ecn no	-		
chr	-	-	product family		rel level	Released		
appr	Pei-Ming Zheng	2014/09/22	title		51939-911		rev	
		2P + Coding + 2P		R/A STB HEADER		51939-911		A
www.fci.com	cat. no.	Product - Customer Drw			sheet 5 of 5			