

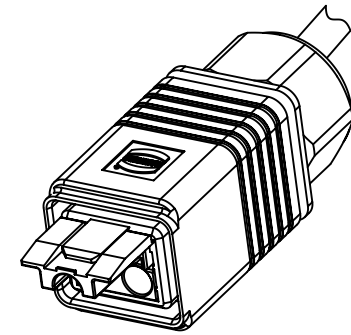
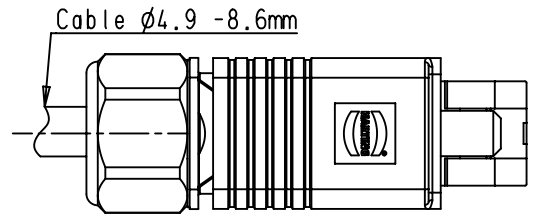
1 2 3 4 5 6

A

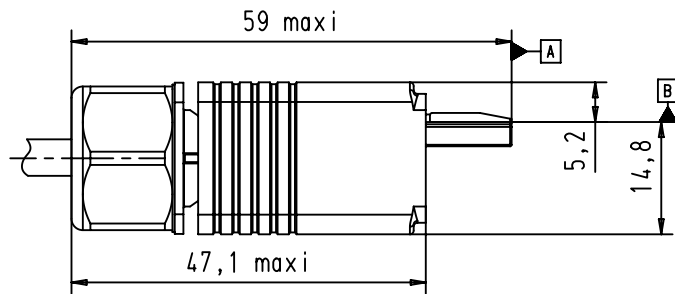
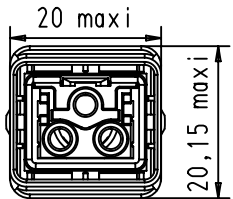
B

C

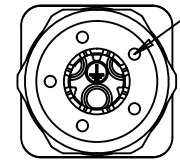
D



SCALE 1:1



On request : color coding ring for Pg9 nut
TB 09 45 840 001X



Cable outer diameter from 4,9 mm to 8,6 mm
 Usable crimp contacts (please order separatly)
 -3x male crimp contacts 09 46 500 0403 0.75mm² (AWG 20)
 -3x male crimp contacts 09 46 500 0407 1.0mm² (AWG 18)
 -3x male crimp contacts 09 46 500 0401 1.5mm² (AWG 16-14)
 -3x male crimp contacts 09 46 500 0405 2.5mm² (AWG 12)

	All rights reserved Department EC PD - FR	All Dimensions in mm Original Size DIN A4	Scale 1:1	Free size tol.	Ref. Sub.
	HARTING Electronics GmbH D-32339 Espelkamp	Created by DOUGE Inspected by BAGDIKIAN Standardisation KOHLER	Title HPP V4 Power plug 250V/16A 3p w/o cont.	Date 2012-07-20 State Final Release	Doc-Key / ECM-Nr. 100226297/UGD/001/A 500000053558
		Type TB	Number 09461453411	Rev. A	Page 1/1