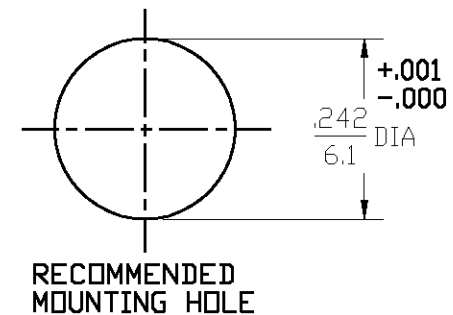


REVISIONS			
REV	DESCRIPTION	DATE	APPROVED
06 ₁	REVISED	2/13/95 <i>M.A. J.D.</i>	02/14/95
B	REVISED PER ECN 0U20-0262-01	G.V. 12/10/02	JHG



DESIGNED FOR USE WITH .141 DIA SEMI-RIGID CABLE CABLE ENTRY DIAMETER MINIMUM	
HOUSING	.144
CONTACT	.036

ELECTRICAL	MECHANICAL	ENVIRONMENTAL
NOMINAL IMPEDANCE (OHMS) <u>50 ± 1</u>	Interface Dimensions M/A-COM CATALOG	TEMPERATURE RATING <u>-65° TO +125°C</u>
Frequency Range (GHz) <u>DC to 22</u>	Mating Characteristics:	Vibration MIL-STD-202, Method 204, Condition D
Volt Rating (VRMS MAX) @ Sea Level <u>500</u>	Insertion (MAX Lbs) <u>3</u>	Shock MIL-STD-202, Method 213, Condition I
VSWR <u>1.02 ± .005 F(GHz)</u> DC to 18 GHz	Withdrawal (MIN Oz) <u>1</u>	Thermal Shock MIL-STD-202, Method 107, Condition B
<u>1.02 ± .009 F(GHz)</u> DC to 22 GHz	Force to Engage (In-Lbs MAX) <u>3</u> & Disengage (In-Lbs MAX) <u>1.5</u>	Moisture Resistance MIL-STD-202, Method 106
Insertion Loss (dB MAX) <u>.03 × √F(GHz)</u>	Center Contact Captivation	Corrosion - MIL-STD-202, Method 101, Condition B
RF Leakage (dB MIN) (Interface Only, Fully Mated) <u>-(90-F(GHz))</u>	Axial (Lbs) <u>6</u>	
Corona, 70,000 Ft (VRMS MIN) <u>375</u>	Cable Retention	
Dielectric Withstanding Voltage (VRMS MIN) @ Sea Level <u>1500</u>	Axial Force (Lbs MIN) <u>60</u>	
Contact Resistance (Milliohms MAX)	Torque (In-Oz MIN) <u>55</u>	
Center Contact <u>2.0</u>	Weight (Grams) <u>2.7</u>	
Outer Contact <u>2.0</u>		
Cable to Housing <u>0.5</u>		
RF High Potential @ Sea Level (VRMS MIN @ 5 MHz) <u>1000</u>		
I.R. (Megohms MIN) <u>5000</u>		

COMPONENT	MATERIAL	FINISH
HOUSING MOUNTING NUT LOCKWASHER	STAINLESS STEEL PER ASTM-A484 AND ASTM- A582, TYPE 303	GOLD PLATE PER MIL-G-45204
DIELECTRIC	TFE FLUOROCARBON PER ASTM-D-1457	N/A
CENTER CONTACT	BERYLLIUM COPPER PER ASTM-B-196 OR ASTM-B-197 ALLOY C17300, CONDITION H	GOLD PLATE PER MIL-G-45204
O-RING	FLOUROSILICONE PER MIL-R- 25988, CLASS I, TYPE I.	N/A

UNLESS OTHERWISE SPECIFIED DIMENSIONS ARE IN INCHES TOLERANCE ON	DRAWN BY PCV	DATE 02/11/82		AMP Incorporated 140 Fourth Avenue Waltham, MA 02451-7599
FRAC. DEC. ANGLES	CHECKED BY JDL	04/22/82		
± 1/64 ±.005 ± 1°	APPROVED BY RMF	04/23/82		

USE ASS'Y PROCEDURE	TITLE OSP BULKHEAD FEEDTHROUGH CABLE PLUG DIRECT SOLDER ATTACHMENT		
NO. AP. <u>45-001</u>	SIZE B	CODE IDENT NO. 26805	REV 06 ₁
<u>408-08259</u>	SCALE 5:1	SHEET 1 OF 1	

.XXX = in
XX.X = mm

CUSTOMER DRAWING

AMP PART # 1059402-1
SHEET 1 OF 1 REV B