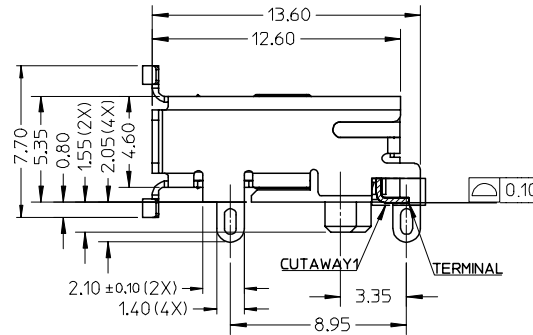
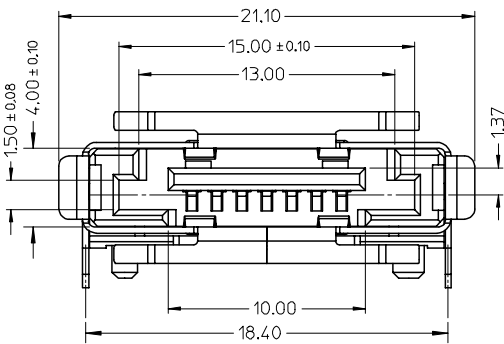


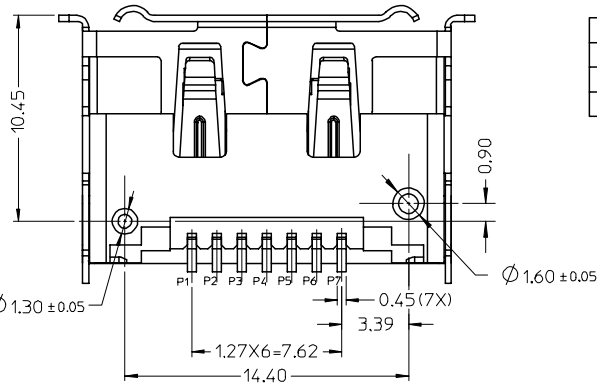
RECOMMEND PCB LAYOUT(CONNECTOR SIDE)
THICKNESS=1.30(ALL TOLERANCE: +/-0.05)

NOTES:

- MATERIAL:
HOUSING: PA6T.COLOR: BLACK, UL94V-0.
SHIELD CASE: COPPER ALLOY.
TERMIANL: COPPER ALLOY.
- PLATING:
SHIELD CASE: 100~200μ SOLDERABLE NICKEL OVER ALL.
TERMINAL: CONTACT AREA GOLD PLATING(SEE CHART) AND
SOLDER TAIL 50~100μ TIN ALLOY PLATING
OVER 50μ MIN. NICKEL.
- PRODUCT SPEC REFER TO PS-47082-001.
- PACKAGE SPEC REFER TO PK-47379-001.
- PRODUCT MEET STANDARD 1.0 REVISION OF THE SERIAL ATA II:
CABLE AND CONNECTOR VOL 2 SPECIFICATION.
- PRODUCT COMPLIANT TO RoHS 2002/95/EC AND ELV 2000/53/EC.



47391-2000	TERMINAL CONTACT AREA PLATED 30μ GOLD
47391-1000	TERMINAL CONTACT AREA PLATED 15μ GOLD
47391-0000	TERMINAL CONTACT AREA PLATED GOLD FLASH
PART NO.	DESCRIPTION



REVISED	EC NO:	2007/04/30	QUALITY SYMBOLS	GENERAL TOLERANCES (UNLESS SPECIFIED)	DIMENSION STYLE MM ONLY	SCALE 4:1	DESIGN UNITS METRIC	THIRD ANGLE PROJECTION			
	DRWNG:LLI	2007/05/04							4 PLACES ± --- ± ---	DRAWN BY DATE	TITLE EXTERNAL SATA PLUG SMT WITH SHELL BOTTOM MOUNT TYPE
	CHKD:G	2007/05/04							3 PLACES ± --- ± ---	CHECKED BY DATE	
	APPR: INCHEH	2007/05/09							2 PLACES ± 0.2 ± ---	JENNY ZENG 2006/11/16	
REV	DESCRIPTION	1 PLACE ± 0.25 ± ---	APPROVED BY DATE	MOLEX INCORPORATED							
D		ANGULAR ± 3 °	GRATE MA 2006/11/16		DOCUMENT NO. SD-47391-100						
DRAFT WHERE APPLICABLE MUST REMAIN WITHIN DIMENSIONS				SIZE A3	SEE CHART		SHEET NO. 1 OF 1				