

Surge protection device - MT-TTY-1 - 2763523


Please be informed that the data shown in this PDF Document is generated from our Online Catalog. Please find the complete data in the user's documentation. Our General Terms of Use for Downloads are valid (<http://phoenixcontact.com/download>)



Rail-mountable module with surge protection for TTY interface, for mounting on NS 35/7.5, housing width: 30 mm



Key Commercial Data

Packing unit	5 STK
GTIN	 4 017918 065607
GTIN	4017918065607

Technical data

Dimensions

Height	77.5 mm
Width	27.4 mm
Depth	54.9 mm

Ambient conditions

Ambient temperature (operation)	-20 °C ... 60 °C
Degree of protection	IP20

General

Color	black
Mounting type	DIN rail: 35 mm
Type	DIN rail module, one-piece
Direction of action	Line-Line & Line-Earth Ground

Protective circuit

IEC test classification	C2
	C3
VDE requirement class	C2
	C3

Surge protection device - MT-TTY-1 - 2763523

Technical data

Protective circuit

Maximum continuous voltage U_C	24 V DC
Rated current	300 mA
Operating effective current I_C at U_C	$\leq 10 \mu\text{A}$
Nominal discharge current I_n (8/20) μs (line-earth)	5 kA
Output voltage limitation at 1 kV/ μs (line-line) spike	$\leq 35 \text{ V}$
Output voltage limitation at 1 kV/ μs (line-earth) spike	$\leq 450 \text{ V}$
Output voltage limitation at 1 kV/ μs (line-line) static	$\leq 35 \text{ V}$
Output voltage limitation at 1 kV/ μs (line-earth) static	$\leq 450 \text{ V}$
Residual voltage at I_n (line-line)	$\leq 35 \text{ V}$
Voltage protection level U_p (line-line)	$\leq 35 \text{ V}$
Voltage protection level U_p (line-earth)	$\leq 450 \text{ V}$
Response time t_A (line-line)	$\leq 1 \text{ ns}$
Response time t_A (line-earth)	$\leq 100 \text{ ns}$
Cut-off frequency f_g (3 dB), sym. in 50 Ohm system	4 MHz
Cut-off frequency f_g (3 dB), sym. in 600 Ohm system	300 kHz
Resistance in series	4.7 Ω
Surge protection fault message	none

Connection data

Connection method	Screw connection
Connection method IN	Screw terminal blocks
Connection method OUT	Screw terminal blocks
Screw thread	M3
Stripping length	8 mm
Conductor cross section flexible	0.2 mm ² ... 2.5 mm ²
Conductor cross section solid	0.2 mm ² ... 4 mm ²
Conductor cross section AWG	24 ... 12

Standards and Regulations

Standards/regulations	Draft IEC 64644-1
	E VDE 0845-3-1

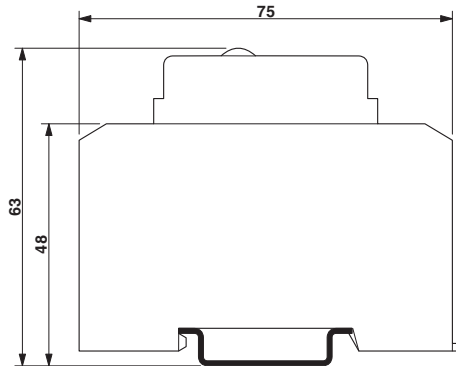
Environmental Product Compliance

REACH SVHC	Lead 7439-92-1
China RoHS	Environmentally Friendly Use Period = 50
	For details about hazardous substances go to tab "Downloads", Category "Manufacturer's declaration"

Drawings

Surge protection device - MT-TTY-1 - 2763523

Dimensional drawing



Approvals

Approvals

Approvals

EAC

Ex Approvals

Approval details

EAC



RU C-
DE.A*30.B01561

Phoenix Contact 2018 © - all rights reserved
<http://www.phoenixcontact.com>

PHOENIX CONTACT GmbH & Co. KG
Flachsmarktstr. 8
32825 Blomberg
Germany
Tel. +49 5235 300
Fax +49 5235 3 41200
<http://www.phoenixcontact.com>