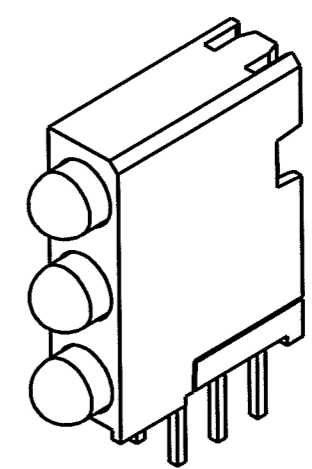
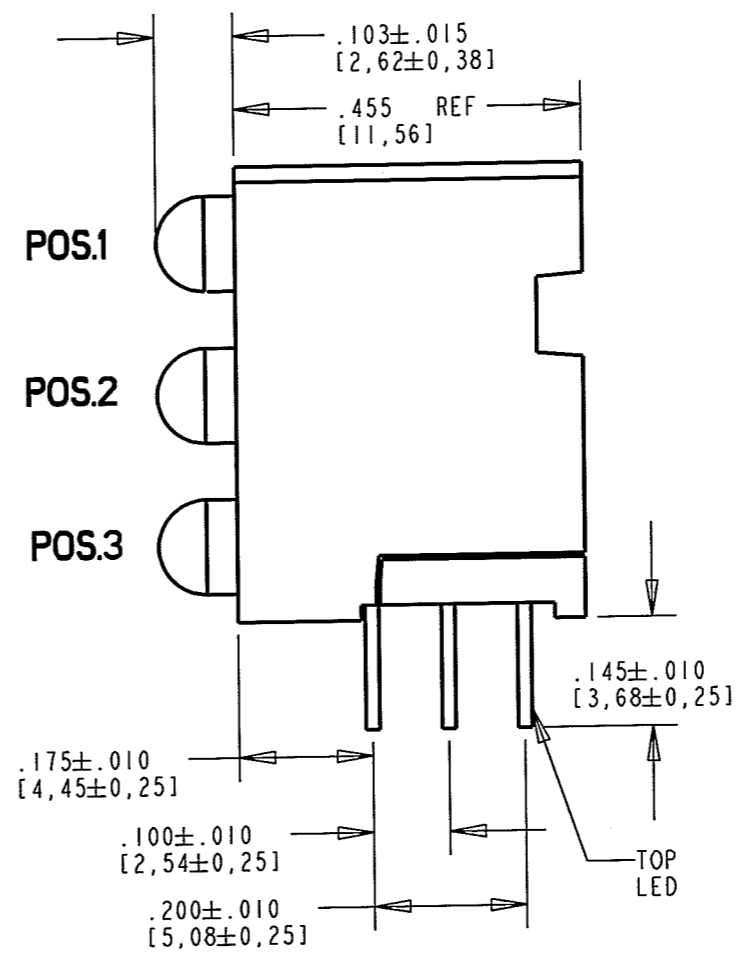
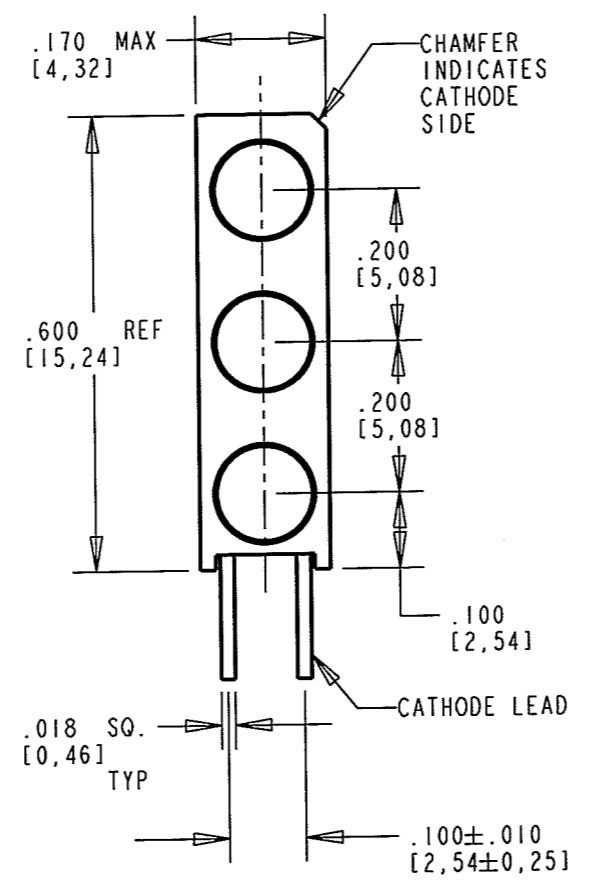
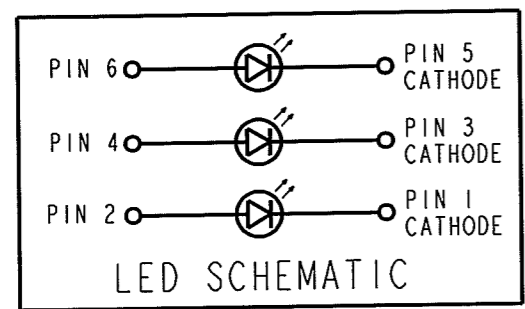


| PART NUMBER and LEGEND | LED COLOR | | |
|---------------------------|---------------------|---------------------|---------------------|
| | POSITION 1 | POSITION 2 | POSITION 3 |
| 564-2200-101F | RED NON-DIFFUSED | ** BLANK ** | RED NON-DIFFUSED |
| 564-2200-202F | GREEN NON-DIFFUSED | ** BLANK ** | GREEN NON-DIFFUSED |
| 564-2200-222F | GREEN NON-DIFFUSED | GREEN NON-DIFFUSED | GREEN NON-DIFFUSED |
| 564-2200-223F | GREEN NON-DIFFUSED | GREEN NON-DIFFUSED | YELLOW NON-DIFFUSED |
| 564-2200-233F | GREEN NON-DIFFUSED | YELLOW NON-DIFFUSED | YELLOW NON-DIFFUSED |
| 564-2200-332F | YELLOW NON-DIFFUSED | YELLOW NON-DIFFUSED | GREEN NON-DIFFUSED |

RoHS COMPLIANT 564-2200-XXXF
 Part Numbers with the "F" suffix ending are RoHS Compliant.
 For example: 564-2200-222F
 Packaging is marked with "RoHS Compliant" label or equivalent markings. Parts can be wave soldered, dip soldered or hand soldered using typical lead-free soldering process with max 260°C temp. for 5 sec.

| REV | ECN NO | REVISIONS | DRN | CKD | APP | DATE |
|-----|--------|-------------|-----|-----|-----|---------|
| A | | NEW RELEASE | KLJ | 2.0 | | 5-30-08 |

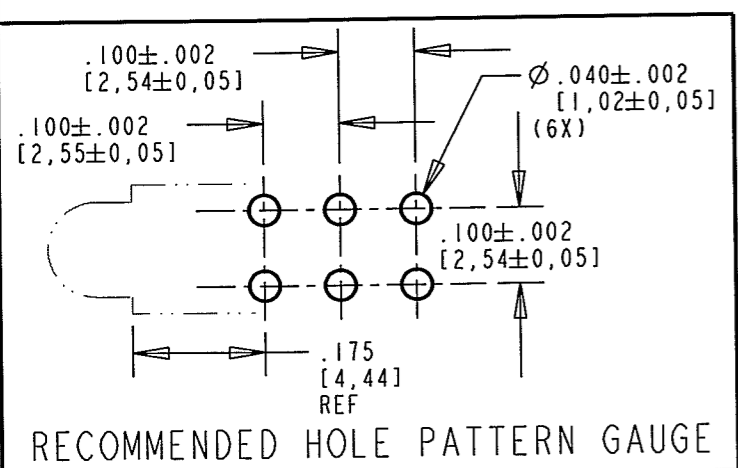


| OPERATING CHARACTERISTICS AT 25°C AMBIENT | | | | | | |
|---|--------|------|-----|-----|-------|---------------------------------|
| CHARACTERISTICS | COLOR | MIN | TYP | MAX | UNITS | TEST CONDITIONS |
| LUMINOUS INTENSITY | RED | 8.7 | 29 | | mcd | $I_F = 10 \text{ mA}$ |
| | GREEN | 12.6 | 40 | | | $I_F = 10 \text{ mA}$ |
| | YELLOW | 19 | 70 | | | $I_F = 20 \text{ mA}$ |
| FORWARD VOLTAGE | RED | | 2.0 | 2.6 | V | $I_F = 20 \text{ mA}$ |
| | GREEN | | 2.1 | 2.6 | | |
| | YELLOW | | 2.1 | 2.6 | | |
| REVERSE VOLTAGE | ALL | 5.0 | | | V | $I_R = 100 \mu\text{A}$ |
| PEAK WAVELENGTH | RED | | 635 | | nm | |
| | GREEN | | 565 | | | |
| | YELLOW | | 585 | | | |
| VIEWING ANGLE | ALL | | 45 | | DEG | $I_F = 10 \text{ mA}$ |
| CAPACITANCE | RED | | 20 | | pF | $V = 0;$ $f = 1 \text{ MHz}$ |
| | GREEN | | 35 | | | |
| | YELLOW | | 15 | | | |

- NOTES:
- LED LEAD DIMENSIONS SHOWN ARE MEASURED AT HOUSING EXIT.
 - LEADS TO FIT INTO HOLES SPACED AS PER PATTERN.
 - PIN NUMBERS FOR REFERENCE ONLY, DESIGNATION NON-EXISTENT ON PART.
 - DIALIGHT PART NUMBERS: 564-2200-101F, -202F, -222F, -223F, -233F, AND -332F.
 - THIS ASSEMBLY CONTAINS ELECTROSTATIC DISCHARGE SENSITIVE DEVICES (ESDS). MAINTAIN ALL PRECAUTIONARY MEASURES DURING ASSEMBLY, HANDLING, AND STORAGE IN ACCORDANCE WITH IPC-A-610.



ATTENTION:
 OBSERVE PRECAUTIONS FOR
 HANDLING ELECTROSTATIC
 SENSITIVE DEVICES



| ABSOLUTE MAXIMUM RATING AT 25°C AMBIENT | | | | |
|--|-------|-------------|-------|--------|
| | UNITS | RED | GREEN | YELLOW |
| POWER DISSIPATION | mW | 100 | 100 | 60 |
| DERATE LINEARLY FROM 50°C | mA/°C | 0.4 | 0.4 | 0.25 |
| CONTINUOUS FORWARD CURRENT | mA | 30 | 30 | 20 |
| PEAK FORWARD CURRENT (1/10 DUTY CYCLE, 0.1 ms PULSE WIDTH) | mA | 120 | 120 | 80 |
| PEAK REVERSE VOLTAGE | V | 5 | | |
| LEAD SOLDERING TEMPERATURE, 5 SEC., 1/16" FROM BASE | °C | 260 | | |
| OPERATING TEMPERATURE | °C | -55 TO +100 | | |
| STORAGE TEMPERATURE | °C | -55 TO +100 | | |

THIS DRAWING AND THE CONTENTS HEREIN ARE CONFIDENTIAL AND THE SOLE PROPERTY OF DIALIGHT. REPRODUCTION OF THIS DRAWING OR CONSTRUCTION OF ANY PARTS WITHIN THIS DRAWING ARE FORBIDDEN WITHOUT THE WRITTEN CONSENT OF DIALIGHT.

| | | |
|---|--|--|
| SCALE: DRAWING SCALE | DRAWING NUMBER | REV |
| ALL DIM'S IN: INCHES (MM) | C-17621 | A |
| TOLERANCES: UNLESS OTHERWISE SPECIFIED | TITLE | STANDARD 3X1 CBI BLOCK RoHS COMPLIANT |
| FRACTIONS: ±1/64 DECIMALS (.XX): ±.01 DECIMALS (.XXX): ±.005 DECIMALS (.XXXX): ±.0005 ANGLES: ±1° | MATERIAL | |
| FINISH: | 1501 ROUTE 34 SOUTH FARMINGDALE, NJ 07727 | |
| FSCM 83330 | SHEET 1 OF 1 | FAMILY TABLE: |