

NCV7691RCLEVB



ON Semiconductor®

www.onsemi.com

Advance Information

NCV7691 8-Channel Rear Combo / Daylight Running Light Evaluation Board User's Manual

EVAL BOARD USER'S MANUAL

Introduction

The evaluation board demonstrates rear combination / daylight running light (RCL/DRL) solution with up to eight LED string. The board regulates constant current of 100 mA (68 to 150 mA) through each on-board LED string consisting of three red or two white LEDs in the wide range of the supply voltage. The current is reduced for the board temperature above 90°C. The board is designed in order to provide good cooling of the active components with no extra cost. Additionally, a heat sink may be mounted on the bottom side of the board to improve the thermal capability of the board. In case of LEDs short or opening, the current sources are disabled and the fault may be detected by the ECU diagnostics.

On-board LEDs may be easily replaced by external ones.

Evaluation Board Features

- Wide Range of Supply Voltage: 7 to 40 V
- Eight LED Strings with On-board Red or White LEDs (RCL/DRL)
- Nominal LED Current 100 mA (150 mA max.)
- Over-temperature Current Fold-back Protection
- OPEN Jumper in each String Allowing LEDs Disconnection
- SHORT Jumper in each String for Short Emulation or Connection of the External LEDs
- Led Short-circuit and Open-load Emulation Jumpers
- Optional External PWM Input
- Optional Error Flagging through Indication LED and FLTS Output
- Positions for Optional EMC Capacitors
- One-side Components Assembly
- Passive Cooling (Optional Heat Sink may be Attached to the Bottom)

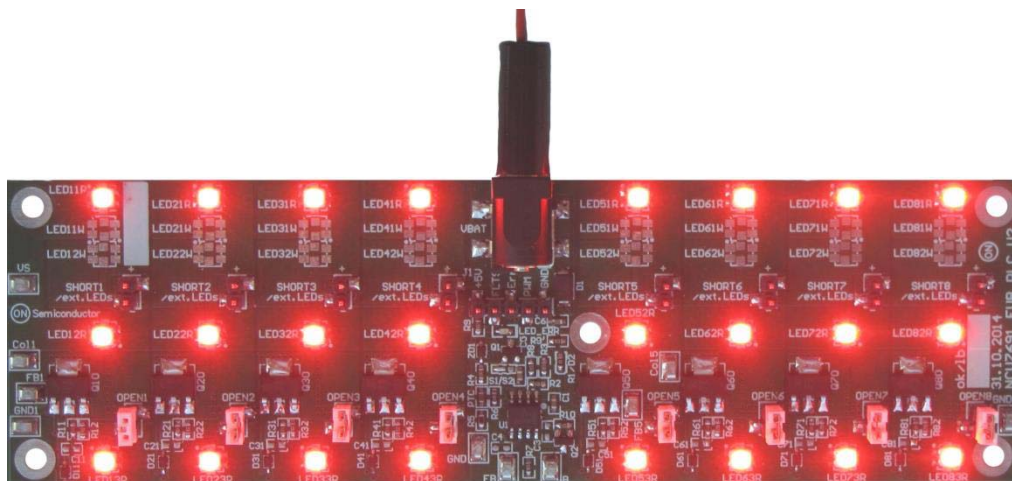


Figure 1. Running NCV7691 Evaluation Board Picture

This document contains information on a new product. Specifications and information herein are subject to change without notice.

NCV7691RCLEVB

Table 1. ABSOLUTE MAXIMUM RATINGS

Rating	Value	Unit
Supply Voltage (Vbat)	-40 to +40	V
LED String Current (thermally limited)	150	mA
PWM, FLTS, Err Voltage (J1 connector)	-0.3 to Vbat	V
Error pin current (J1 connector, pin 3)	0 to 200	mA
Junction Temperature (NCV7691, BCP56)	-40 to +150	°C
Junction Temperature (ASMT-QRBD-AEF0E, ASMT-QWBF-NKL0E)	-40 to +125	°C
Ambient Temperature	-40 to +105	°C

Stresses exceeding those listed in the Maximum Ratings table may damage the device. If any of these limits are exceeded, device functionality should not be assumed, damage may occur and reliability may be affected.

Table 2. RECOMMENDED BOARD OPERATING CONDITIONS

Rating	Value	Unit
Supply Voltage (Vbat)	7 to 18	V
Rated LED string Current (VS < 18 V, Tboard < +90°C)	68 /100 /150	mA
Open-Load or Short-Circuit board consumption (VS = 14 V)	max. 7	mA
Ambient Temperature (for rated LED current)	-40 to +70	°C

REAR COMBO / DAYLIGHT RUNNING LIGHT EVALUATION BOARD SCHEMATIC

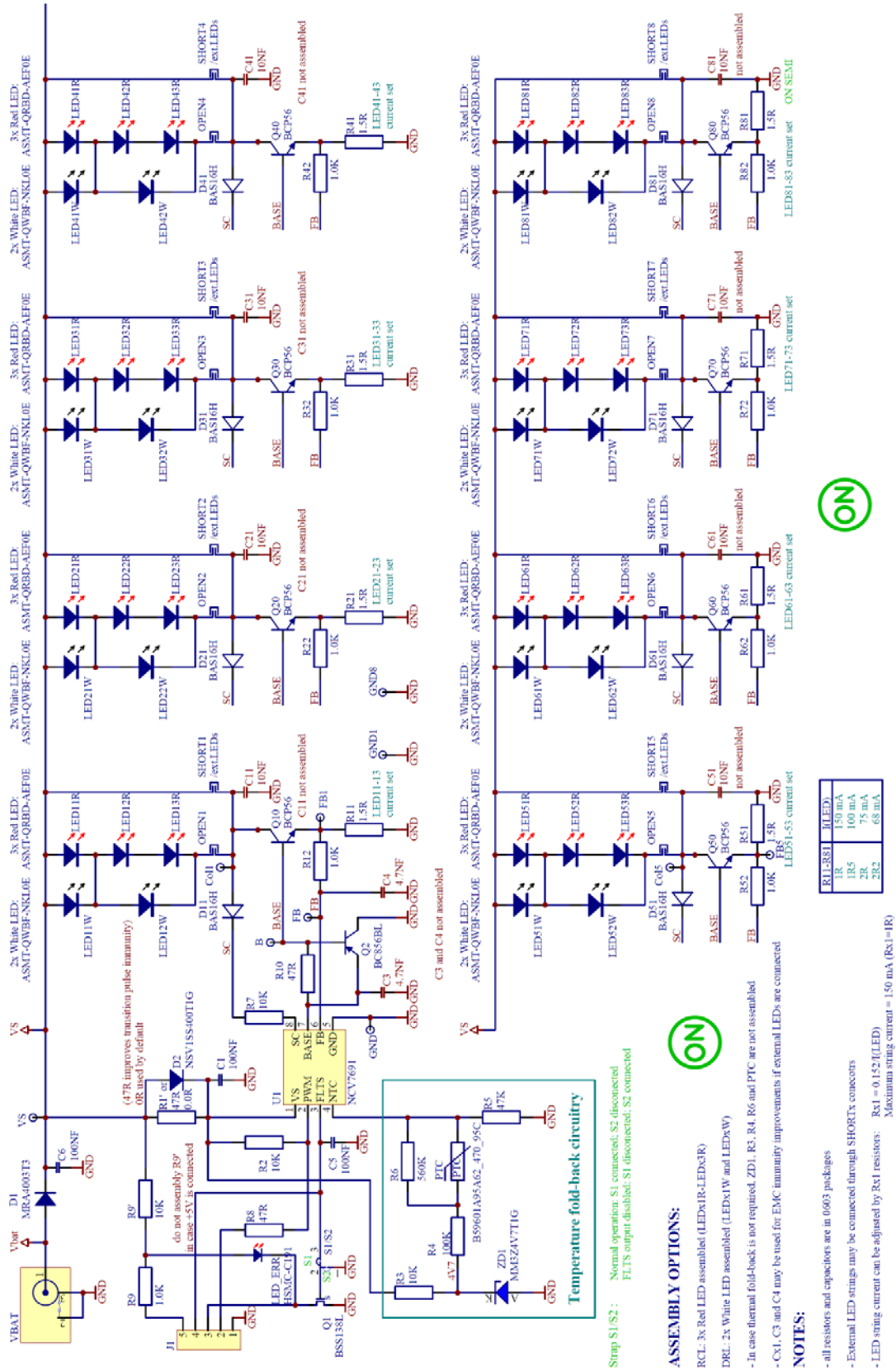


Figure 2. NCV7691 RCL/DRL Evaluation Board Schematic

NCV7691RCLEVB

Table 3. INTERFACE FUNCTION DESCRIPTION

Connector Name	Connector Type	Description / Function
VBAT	2.1 mm DC supply	Supply battery input
OPEN1-8	SMD Jumper	Removing the jumper emulates open LED condition
SHORT1-8	SMD Jumper	Shorting terminals by the jumper emulates short LED condition OR terminal for external LEDs
B	Test Point	BASE output of NCV7691 / NPN base
Col1	Test Point	String 1 NPN collector
Col5	Test Point	String 5 NPN collector
FB	Test Point	FB output of NCV7691
FB1	Test Point	String 1 NPN emitter / feedback resistor
FB5	Test Point	String 5 NPN emitter / feedback resistor
J1	SMD Header	Control/diagnostic functions: Pin 1: GND Pin 2: PWM input (10k pull-up to VS) Pin 3: Error signal (active low, pull-up to VS through LED and 10k) Pin 4: FLTS pin of NCV7691 Pin 5: Alternative pull-up input for the error signal (if used, remove R9')

GETTING STARTED

The board is supplied through a standard 5.5 x 2.1 mm DC connector. Nominal supply voltage ranges from 7 to 18 V. Below 7 V, the current through the LEDs starts decreasing. For battery voltage above 18 V, the LED current is reduced by the over-voltage fold back to reduce the power dissipation.

The thermal fold-back circuitry ensures the board temperature remains within the safe range (see following chapter for details).

Two jumpers in each string emulate LEDs short or opening. By default, OPEN jumper is closed while SHORT terminals are not shorted. Alternatively, external LEDs may

be connected through SHORT header while on-board LEDs are disconnected.

The LEDs current is defined by Rx1 resistors. By default, it is set to 100 mA, but may be changed using following formula:

- With no thermal fold-back (NTC pin grounded):

$$R1 = \frac{\text{FB Regulation Voltage}}{I_{LED}} \approx \frac{0.15}{I_{LED}}$$

- With thermal fold-back circuitry on NTC pin:

$$R1 = \frac{V_{NTC}}{10 \cdot I_{LED}} \approx \frac{1.5}{10 \cdot I_{LED}} = \frac{0.15}{I_{LED}}$$

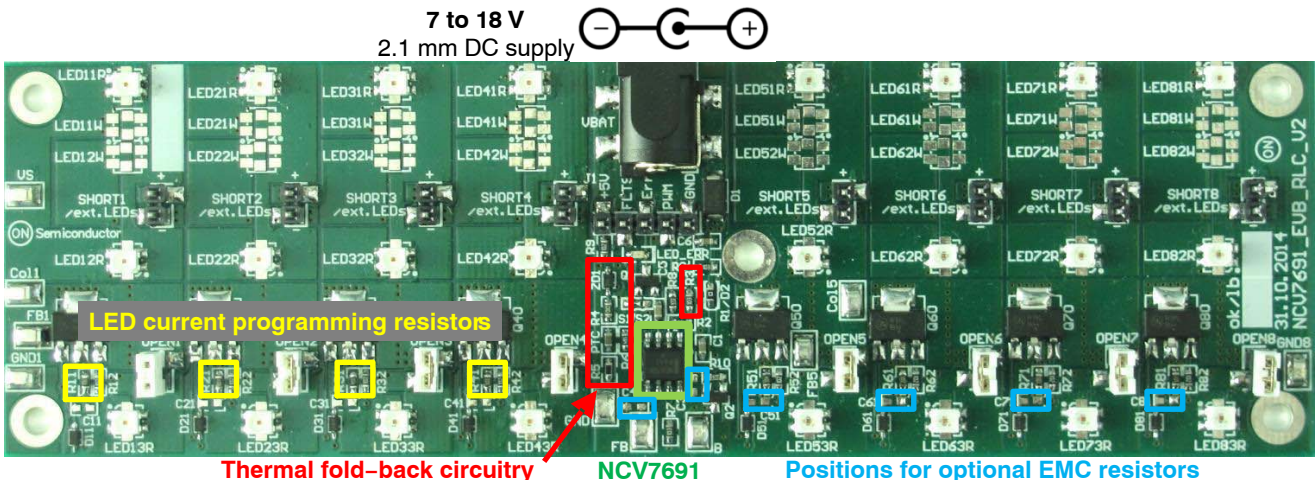


Figure 3. NCV7691 8-channel Evaluation Board Picture

NCV7691RCLEVB

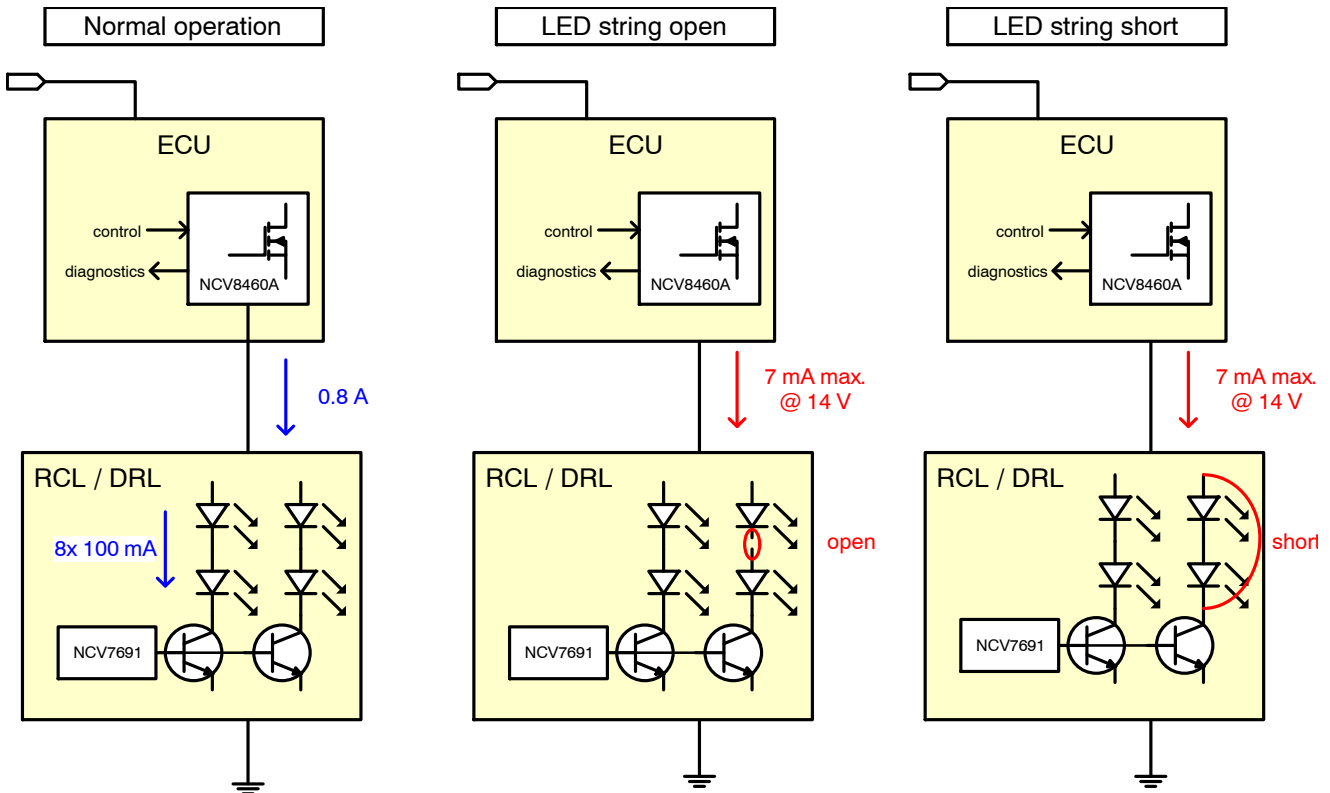
Modules Control Strategy

The board is designed to operate in standard “One Wire Driver Body ECU” and decentralized architecture.

In the first case, both control and diagnosis is done through one supply wire. The dimming might be provided through the PWM applied to the High-side SmartFET in the body ECU. At the same time, the SmartFET allows

diagnosis of the failure on the LED module (open load or short-circuit) (see Figure 3). In case of both LED short and disconnection, NCV7691 disables all the NPN bipolars.

In decentralized operation, extra wires are needed for the control and diagnosis (Figure 4). For this purpose, header J1 is available on the board for easy access to FLTS and PWM functions of NCV7691.



NCV7691RCLEVB

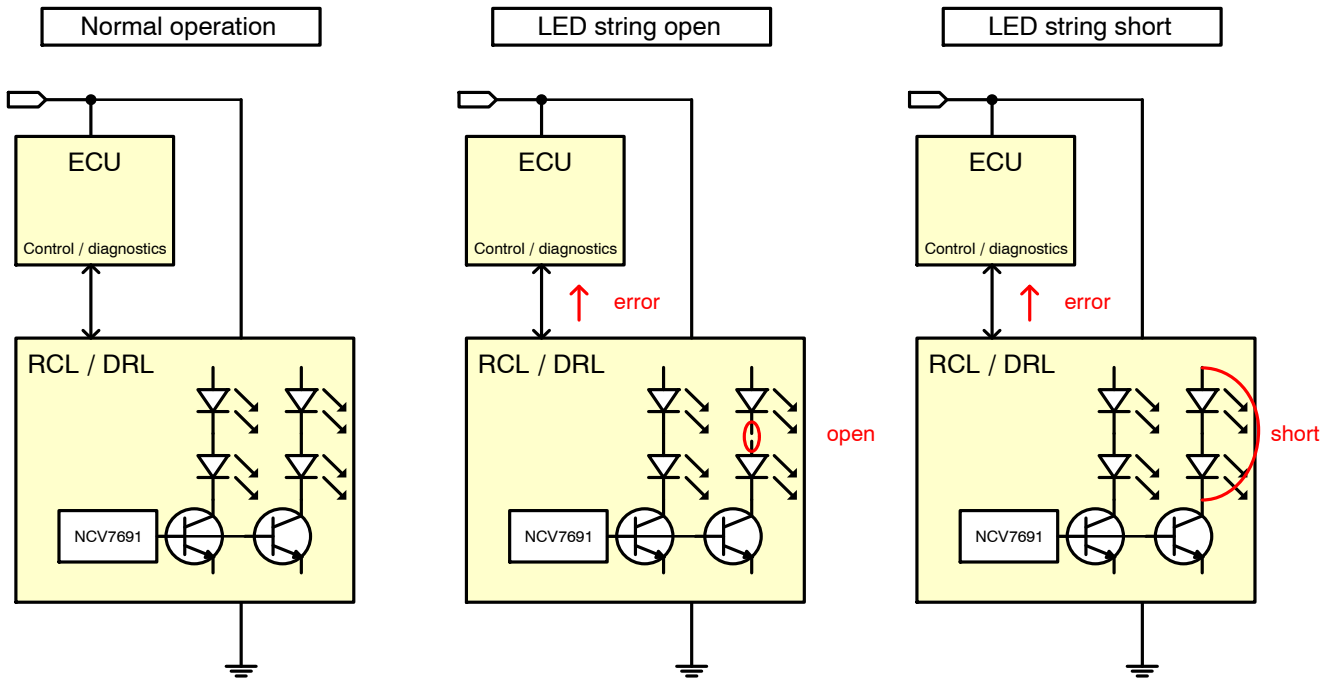


Figure 5. De-centralized System Diagram

Open LED String Diagnostics

NCV7691 includes Open Load Detection feature. When the LED is open, the control loop tries to increase the BASE current to reach 152 mV on the FB pin. As the BASE current is limited to typ. 25 mA, the FB voltage drops below the target level. When the FB voltage decreases below the Open Load Detection FB Threshold (typ. 75 mV), an open load is detected after a period defined by a capacitor connected to the FLTS pin. Figure 6 demonstrates an open load situation on two-string application.

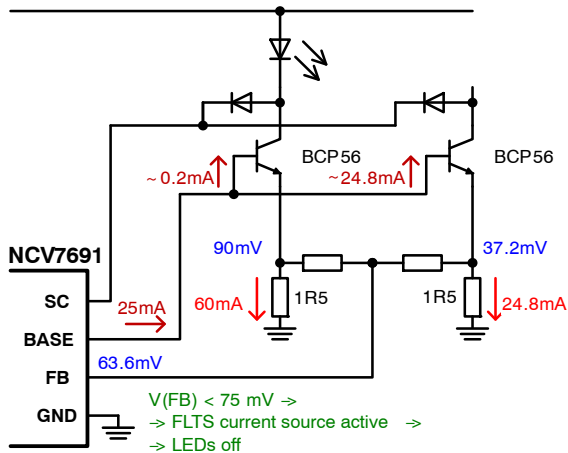


Figure 6. Open Load Detection Principle

In multi-string applications with high-beta transistors, the feedback voltage from individual strings is averaged, so one defective LED string does not always lead to the open load detection.

One of the ways to improve the open load detection capability is more precise external BASE current limitation. An example of the circuit with one extra resistor and PNP bipolar is shown in Figure 6.

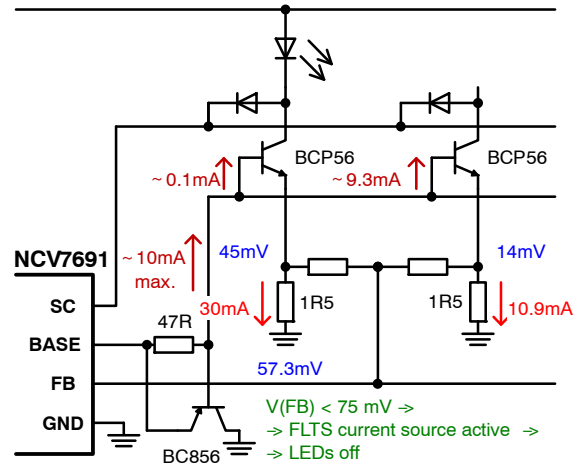


Figure 7. Improved Open Load Detection for 8 Strings

Short LED Diagnostics

NCV7691 contains a LED string short detection based on LED string voltage measurement (pin SC). In case the voltage difference between the VS and SC pins drops below typ. 2 V (Figure 7), the BASE is switched off and FLTS current source is active to flag an error. In multi-string applications, an OR-circuitry (e.g. diodes) has to be used to cover all the strings.

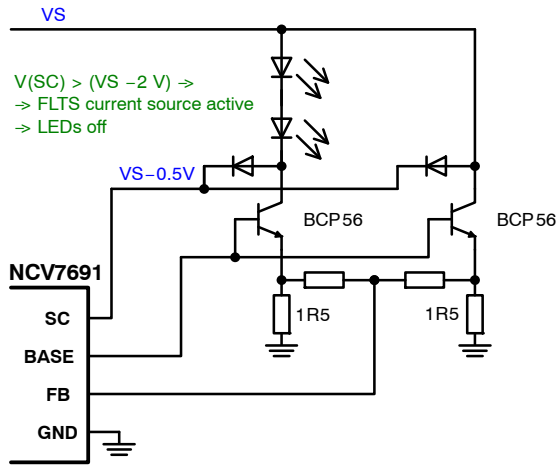


Figure 8. Short LED Detection Principle

Thermal Considerations of the Board

As the board dissipation is typ. 11 W at 13.8 V battery supply and 100 mA LED current, the thermal aspects should be taken into account for the board design. The main limitations are LED lifetime vs. operating temperature and NPN bipolar maximum junction temperature.

The board was designed to operate at full current with board temperature of up to 90°C on standard 70 μm FR4 PCB substrate and passive cooling without any extra thermal improvements. In case higher power dissipation is foreseen, a cooling metal profile may be mounted to the bottom side of the board.

Thermal Fold-back

To protect power dissipating devices on the board (LEDs, NPN bipolar transistor), a circuit reducing LED current at high board temperatures is included (Figure 9).

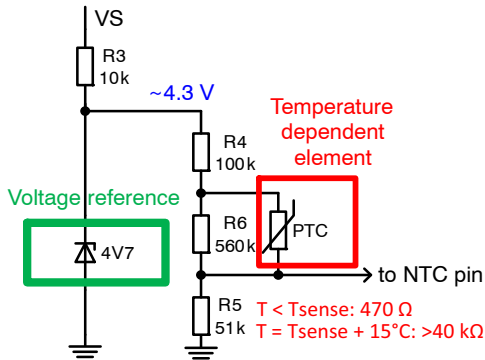


Figure 9. Thermal Fold-back Circuitry

The circuit consists of a voltage reference (ZD1 supplied via R3) and temperature dependent resistor divider. A thermistor with positive temperature dependency (PTC) is

used for temperature sensing. For temperatures below the PTC sensing temperature, the thermistor has low resistance (typ. 470 Ω), so the circuitry output voltage is given by R4 and R5 while for high temperatures the reference voltage drops rapidly (Figure 9). R6 ensures the voltage on NTC input does not fall below the NTC Detection Level (max. 300 mV) at high temperature, which would result into a switch-over to the internal voltage reference of NCV7691.

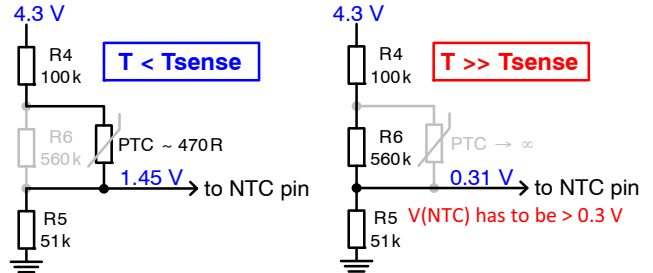


Figure 10. Thermal Fold-back Circuitry at Low/High Temperature

The optimal Zener voltage in terms of the temperature independency is usually between 4 and 5 V. At the same time, it should be as low as possible to allow a low-battery operation. 4V7 Zener diode is recommended as a good tradeoff. Because of lower bias current (< 1 mA) and impedance of the Zener, the reference voltage is lower than the nominal one (~4.3 V for 4V7 Zener) (Figure 10).

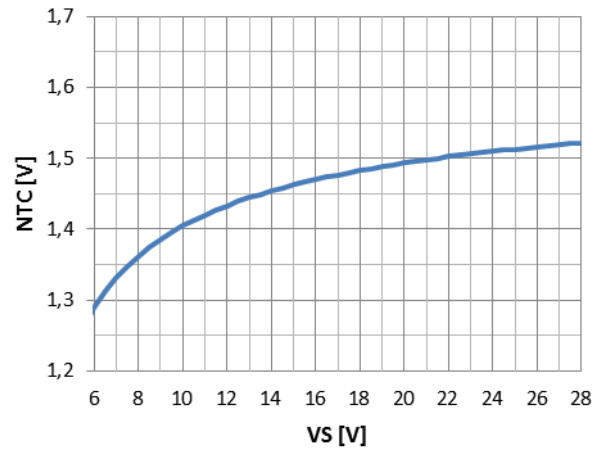


Figure 11. NTC Voltage vs. Supply Voltage (Tpcb = 25°C)

The sensing temperature (PTC parameter) has to be chosen carefully with respect to the heat distribution over the board and thermal properties of the power dissipating components. For PTC type B59641A95A62, the current fold-back reduces the reference voltage on the NTC pin and

NCV7691RCLEVB

thus LED current above the board temperature of $\sim 90^{\circ}\text{C}$ (Figure 11).

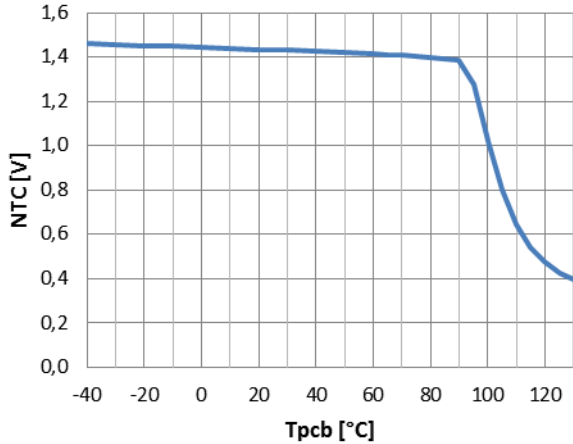


Figure 12. NTC Voltage vs. Board Temperature (VS = 12 V)

If the thermal fold-back feature is not required, components R3, R4, R6, ZD1 and PTC do not need to be assembled and NTC pin should be tied to GND (directly or via R5).

EMC recommendations

If extensive EMC immunity level is required, Cx1, C3 and C4 capacitors can improve the EMC performance. Using C3 is usually sufficient against disturbances from the supply line. Capacitors Cx1 and C4 may further improve the performance esp. in the setups with external (off-board) LEDs.

PCB DRAWINGS

Assembly Drawings

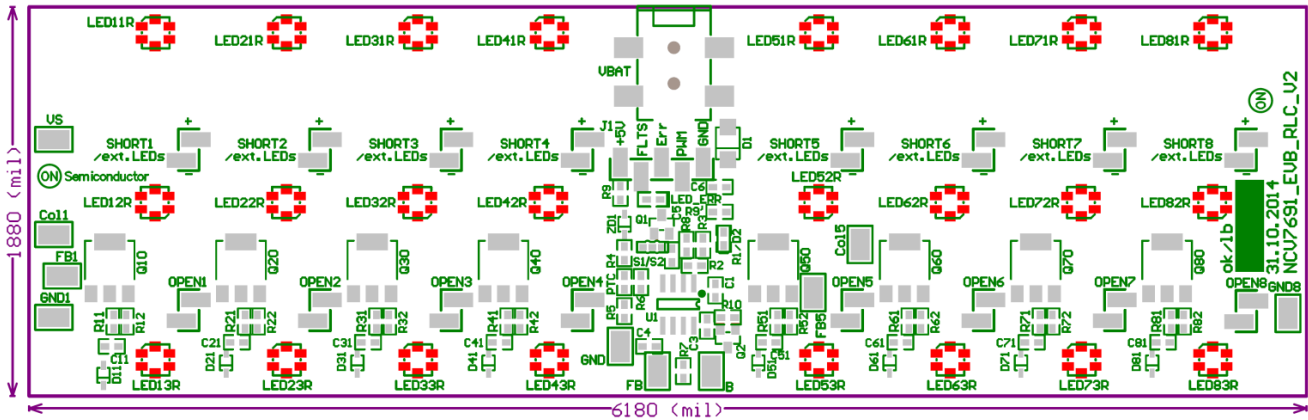


Figure 13. NCV7691 RCL EVB PCB Top Assembly Drawing (Red LEDs) Option A

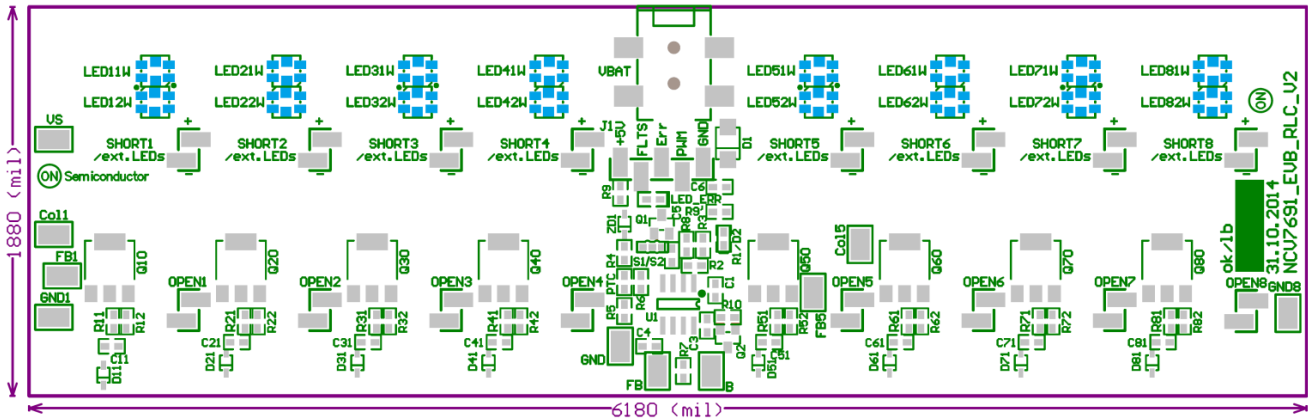


Figure 14. NCV7691 DRL EVB PCB Top Assembly Drawing (White LEDs) Option B

NCV7691RCLEVB

Composite Drawings

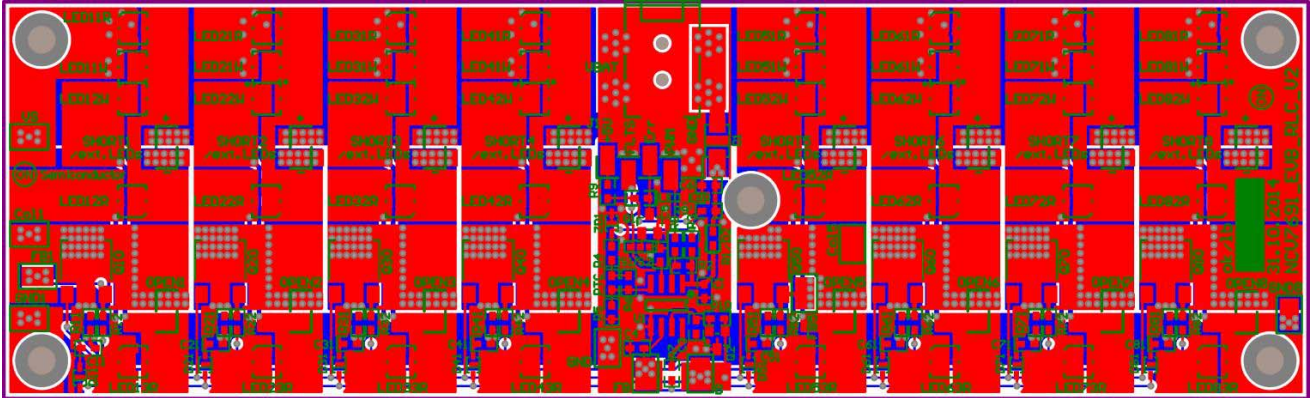


Figure 15. NCV7691 RCL/DRL EVB PCB Top Composite Drawing

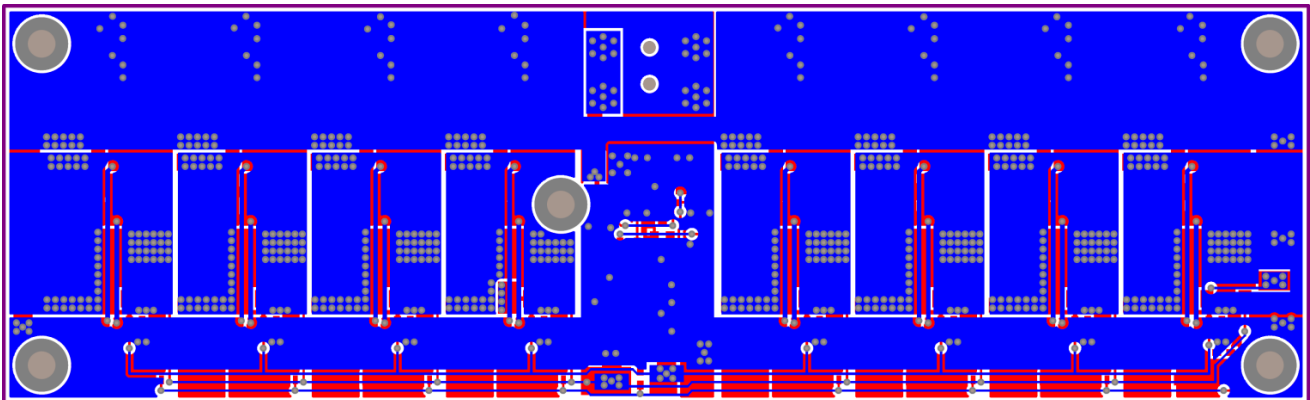



Figure 16. NCV7691 RCL/DRL EVB PCB Bottom Composite Drawing

REFERENCES

- [1] ON Semiconductor, NCV7691 Product Datasheet Rev. 2, January 2015
- [2] EPCOS, PTC thermistors as limit temperature sensors, Series: B59421, B59641, B59721, March 2014
- [3] ON Semiconductor, BCP56 NPN Silicon Epitaxial Transistor, Rev. 10, March, 2014.

ON Semiconductor and the  are registered trademarks of Semiconductor Components Industries, LLC (SCILLC) or its subsidiaries in the United States and/or other countries. SCILLC owns the rights to a number of patents, trademarks, copyrights, trade secrets, and other intellectual property. A listing of SCILLC's product/patent coverage may be accessed at www.onsemi.com/site/pdf/Patent-Marking.pdf. SCILLC reserves the right to make changes without further notice to any products herein. SCILLC makes no warranty, representation or guarantee regarding the suitability of its products for any particular purpose, nor does SCILLC assume any liability arising out of the application or use of any product or circuit, and specifically disclaims any and all liability, including without limitation special, consequential or incidental damages. "Typical" parameters which may be provided in SCILLC data sheets and/or specifications can and do vary in different applications and actual performance may vary over time. All operating parameters, including "Typicals" must be validated for each customer application by customer's technical experts. SCILLC does not convey any license under its patent rights nor the rights of others. SCILLC products are not designed, intended, or authorized for use as components in systems intended for surgical implant into the body, or other applications intended to support or sustain life, or for any other application in which the failure of the SCILLC product could create a situation where personal injury or death may occur. Should Buyer purchase or use SCILLC products for any such unintended or unauthorized application, Buyer shall indemnify and hold SCILLC and its officers, employees, subsidiaries, affiliates, and distributors harmless against all claims, costs, damages, and expenses, and reasonable attorney fees arising out of, directly or indirectly, any claim of personal injury or death associated with such unintended or unauthorized use, even if such claim alleges that SCILLC was negligent regarding the design or manufacture of the part. SCILLC is an Equal Opportunity/Affirmative Action Employer. This literature is subject to all applicable copyright laws and is not for resale in any manner.

PUBLICATION ORDERING INFORMATION

LITERATURE FULFILLMENT:
Literature Distribution Center for ON Semiconductor
P.O. Box 5163, Denver, Colorado 80217 USA
Phone: 303-675-2175 or 800-344-3860 Toll Free USA/Canada
Fax: 303-675-2176 or 800-344-3867 Toll Free USA/Canada
Email: orderlit@onsemi.com

N. American Technical Support: 800-282-9855 Toll Free
USA/Canada
Europe, Middle East and Africa Technical Support:
Phone: 421 33 790 2910
Japan Customer Focus Center
Phone: 81-3-5817-1050

ON Semiconductor Website: www.onsemi.com
Order Literature: <http://www.onsemi.com/orderlit>
For additional information, please contact your local
Sales Representative