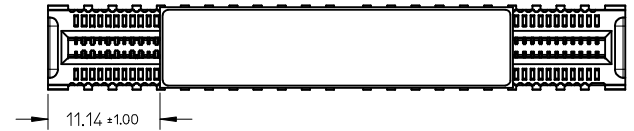
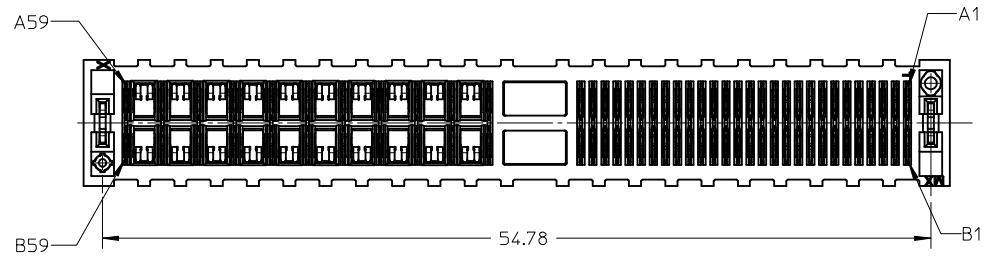
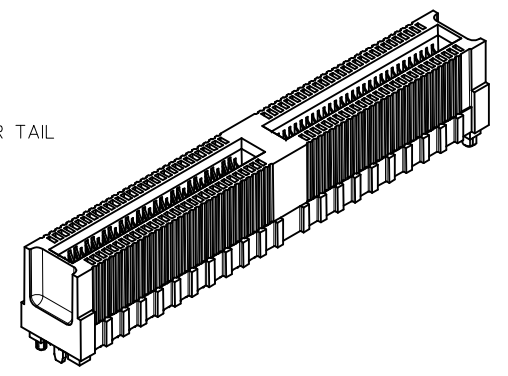
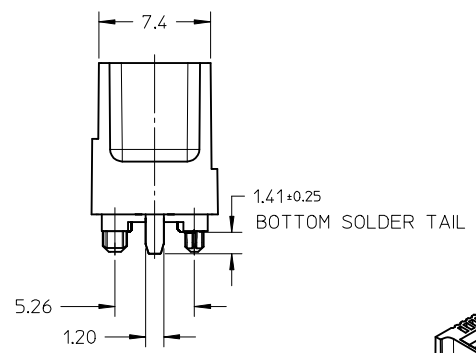
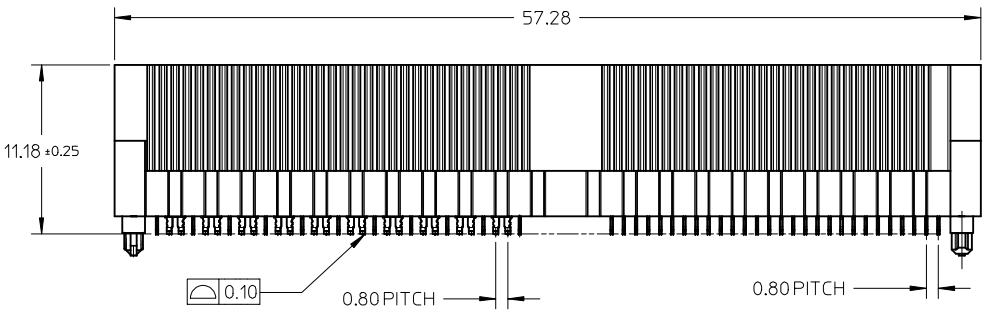


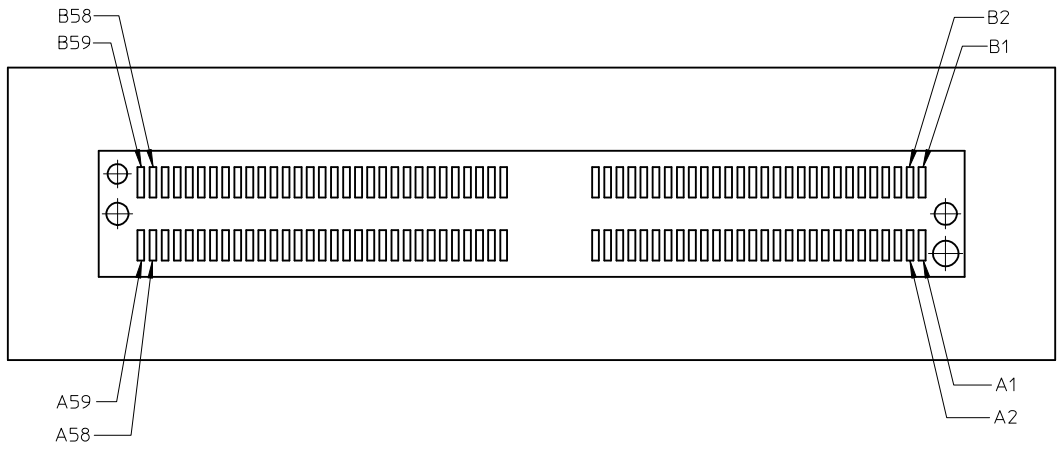
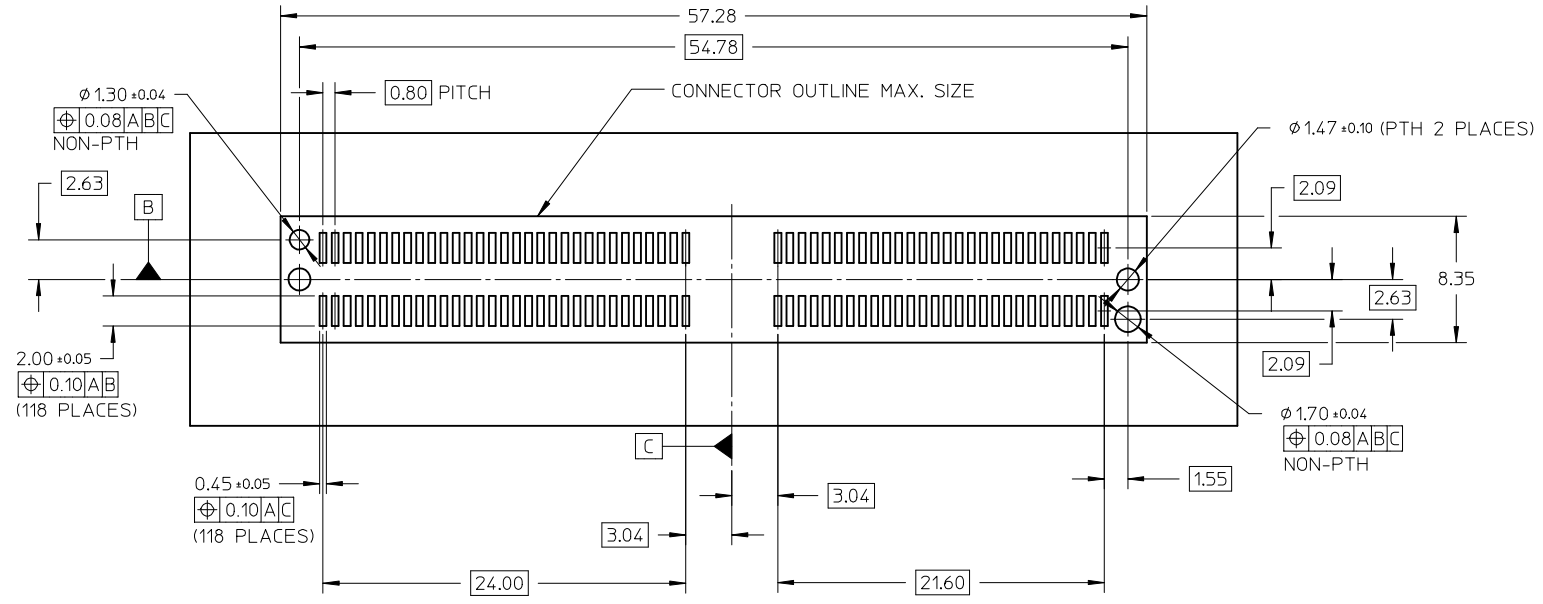
ASSEMBLY PART NO.	PACKAGING SPECIFICATION
151214-1118	PK-151214-0002 (TRAY)
151214-2118	PK-151214-0001 (TUBE)
151214-3118	PK-151214-0003 (TAPE & REEL)



- NOTES:
- MATERIAL:  
HOUSING - GLASS FILLED THERMOPLASTIC, 94-V0, BLACK  
TERMINALS - HIGH PERFORMANCE COPPER ALLOY
  - FINISH:  
CONTACT AREA: SELECT GOLD 0.76µm MIN  
SOLDER TAIL: 2.54µm MIN TIN (MATTE)  
UNDERPLATE: 1.27µm MIN NICKEL ALL OVER
  - PRODUCT SPECIFICATION: PS-151214-0001.
  - PACKAGING SPECIFICATION: REFER TO TABLE
  - APPLICATION SPECIFICATION: AS-151214-0001.
  - MATING PC BOARD THICKNESS = 1.60±0.16MM OVER CONTACT PADS.
  - PRODUCT IS ELV AND RoHS COMPLIANT. LEVEL OF COMPLIANCE: 6/6  
ALL BANNED SUBSTANCES ARE REMOVED:  
Pb (LEAD)/ HEXAVALENT CHROMIUM (CrVI)/CADMIUM  
MERCURY/ POLYBROMINATED BIPHENYL (PBB)  
POLYBROMINATED DIPHENYL ETHER (PBDE)
  - THIS PART CONFORMS TO CLASS B REQUIREMENTS OF COSMETIC SPEC PS-45499-002
  - COPLANARITY OF SOLDER TAIL NOT EXCEED 0.10MM

REV	DESCRIPTION	QUALITY SYMBOLS	GENERAL TOLERANCES (UNLESS SPECIFIED)		DIMENSION STYLE		SCALE	DESIGN UNITS	THIRD ANGLE PROJECTION
			mm	INCH	MM ONLY	NTS	METRIC		
2	ADDED T&R OPTION EC NO: S2017-0446 DRWN:CTEH 2017/03/08 CHKD:CGTAN 2017/03/21 APPR:SHLENI 2017/03/21	$F_A=0$ $F_G=0$ $F_P=0$	4 PLACES	± ---	± ---	DRAWN BY	DATE	TITLE	<b>SALES DRAWING</b> <b>EDGELINE25 850HM</b> <b>118CKTS SMT</b> <b>molex</b> <b>SD-151214-0118</b>
			3 PLACES	± ---	± ---	WZHA021	2016/10/06		
			2 PLACES	± 0.13	± ---	CHECKED BY	DATE		
			1 PLACE	± 0.25	± ---	WZHA021	2016/10/06		
			0 PLACE	± ---	± ---	APPROVED BY	DATE		
			ANGULAR ± 5 °		MATERIAL NO.	DOCUMENT NO.		SHEET NO.	
			DRAFT WHERE APPLICABLE MUST REMAIN WITHIN DIMENSIONS		SEE TABLE	SD-151214-0118		1 OF 3	
			THIS DRAWING CONTAINS INFORMATION THAT IS PROPRIETARY TO MOLEX INCORPORATED AND SHOULD NOT BE USED WITHOUT WRITTEN PERMISSION						

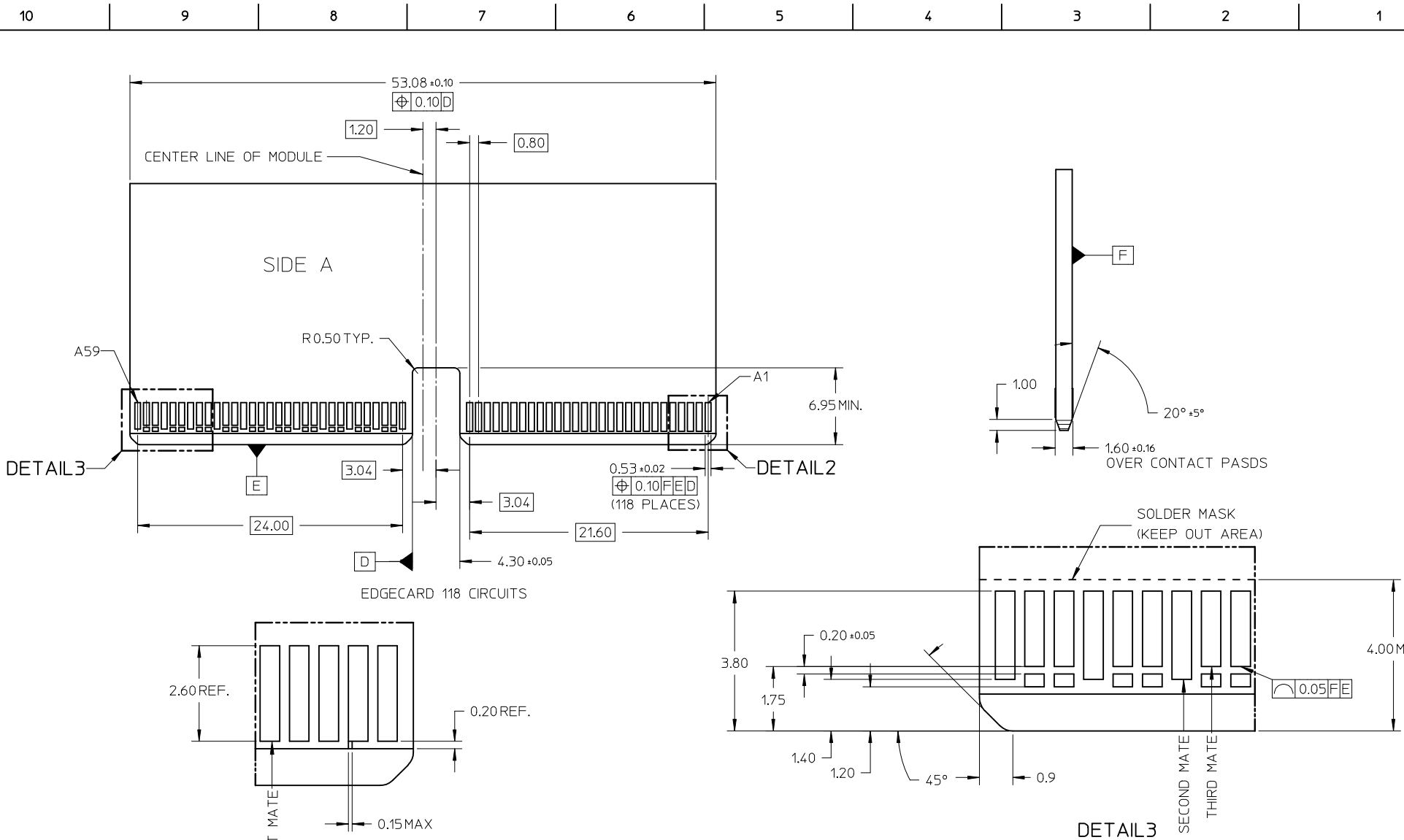
10 9 8 7 6 5 4 3 2 1



NOTES:  
1. DATUM A IS THE TOP OF THE PCB.

<b>ADDED T&amp;R OPTION</b> EC NO: S2017-0446 DRWN: CTEH 2017/03/08 CHKD: CGTAN 2017/03/21 APPR: SHLENI 2017/03/21	QUALITY SYMBOLS $F_A=0$ $F_G=0$ $F_P=0$	GENERAL TOLERANCES (UNLESS SPECIFIED)		DIMENSION STYLE <b>MM ONLY</b>		SCALE NTS	DESIGN UNITS METRIC	THIRD ANGLE PROJECTION	
		4 PLACES ± --- ± ---	3 PLACES ± --- ± ---	DRAWN BY WZHA021	DATE 2016/10/06	TITLE SALES DRAWING EDGELINE25 850HM 118CKTS SMT			
		2 PLACES ± 0.13 ± ---	1 PLACE ± 0.25 ± ---	CHECKED BY WZHA021	DATE 2016/10/06	APPROVED BY SHLENI			
		0 PLACE ± --- ± ---	ANGULAR ± 5 °	APPROVED BY SHLENI	DATE 2016/11/14	MATERIAL NO. SEE TABLE		DOCUMENT NO. SD-151214-0118	SHEET NO. 2 OF 3
2	DRAFT WHERE APPLICABLE MUST REMAIN WITHIN DIMENSIONS	THIS DRAWING CONTAINS INFORMATION THAT IS PROPRIETARY TO MOLEX INCORPORATED AND SHOULD NOT BE USED WITHOUT WRITTEN PERMISSION							

9 8 7 6 5 4 3 2 1



NOTE:  
 1. THESE ARE GENERIC DETAILS THAT DESCRIBES THE CONFIGURATION OF VARIOUS PCB DESIGN ELEMENTS. THE CUSTOMER MUST DETERMINE WHERE AND WHEN TO USE EACH ELEMENT TO ACCOMMODATE THEIR SPECIFIC APPLICATION.  
 2. CHAMFER ROUGHNESS NOT TO EXCEED 3.17µM  
 3. EDGE CARD CHAMFER NOT TO GO THRU GOLD PAD.

<b>ADDED T&amp;R OPTION</b> EC NO: S2017-0446 DRWN: CTEH 2017/03/08 CHKD: CGTAN 2017/03/21 APPR: SHLENI 2017/03/21	QUALITY SYMBOLS $\nabla_A = 0$ $\nabla_C = 0$ $\nabla_P = 0$	GENERAL TOLERANCES (UNLESS SPECIFIED)		DIMENSION STYLE <b>MM ONLY</b>		SCALE <b>NTS</b>	DESIGN UNITS <b>METRIC</b>	THIRD ANGLE PROJECTION																																		
		<table border="1"> <thead> <tr> <th></th> <th>mm</th> <th>INCH</th> </tr> </thead> <tbody> <tr> <td>4 PLACES</td> <td>± ---</td> <td>± ---</td> </tr> <tr> <td>3 PLACES</td> <td>± ---</td> <td>± ---</td> </tr> <tr> <td>2 PLACES</td> <td>± 0.13</td> <td>± ---</td> </tr> <tr> <td>1 PLACE</td> <td>± 0.25</td> <td>± ---</td> </tr> <tr> <td>0 PLACE</td> <td>± ---</td> <td>± ---</td> </tr> </tbody> </table>		mm	INCH	4 PLACES	± ---	± ---	3 PLACES	± ---	± ---	2 PLACES	± 0.13	± ---	1 PLACE	± 0.25	± ---	0 PLACE	± ---	± ---	<table border="1"> <thead> <tr> <th>DRAWN BY</th> <th>DATE</th> <th>TITLE</th> </tr> </thead> <tbody> <tr> <td>WZHA021</td> <td>2016/10/06</td> <td></td> </tr> <tr> <td>CHECKED BY</td> <td>DATE</td> <td></td> </tr> <tr> <td>WZHA021</td> <td>2016/10/06</td> <td></td> </tr> <tr> <td>APPROVED BY</td> <td>DATE</td> <td></td> </tr> <tr> <td>SHLENI</td> <td>2016/11/14</td> <td></td> </tr> </tbody> </table>	DRAWN BY	DATE	TITLE	WZHA021	2016/10/06		CHECKED BY	DATE		WZHA021	2016/10/06		APPROVED BY	DATE		SHLENI	2016/11/14		<b>SALES DRAWING</b> <b>EDGE LINE 25 850HM</b> <b>118CKTS SMT</b> 		MATERIAL NO. <b>SEE TABLE</b>
	mm	INCH																																								
4 PLACES	± ---	± ---																																								
3 PLACES	± ---	± ---																																								
2 PLACES	± 0.13	± ---																																								
1 PLACE	± 0.25	± ---																																								
0 PLACE	± ---	± ---																																								
DRAWN BY	DATE	TITLE																																								
WZHA021	2016/10/06																																									
CHECKED BY	DATE																																									
WZHA021	2016/10/06																																									
APPROVED BY	DATE																																									
SHLENI	2016/11/14																																									
2	REV	DRAFT WHERE APPLICABLE MUST REMAIN WITHIN DIMENSIONS		SIZE <b>A3</b>		THIS DRAWING CONTAINS INFORMATION THAT IS PROPRIETARY TO MOLEX INCORPORATED AND SHOULD NOT BE USED WITHOUT WRITTEN PERMISSION																																				