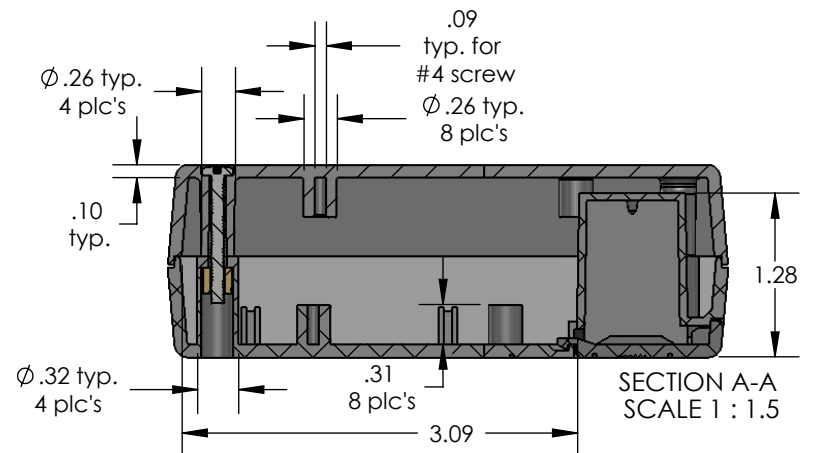
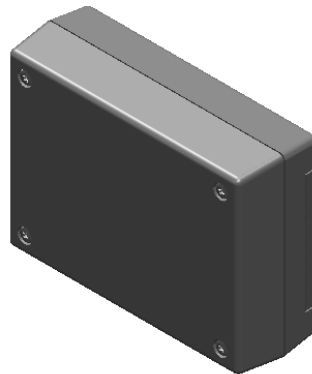
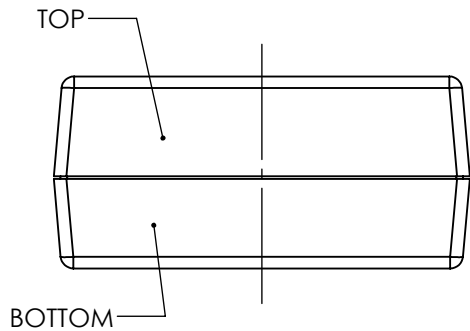
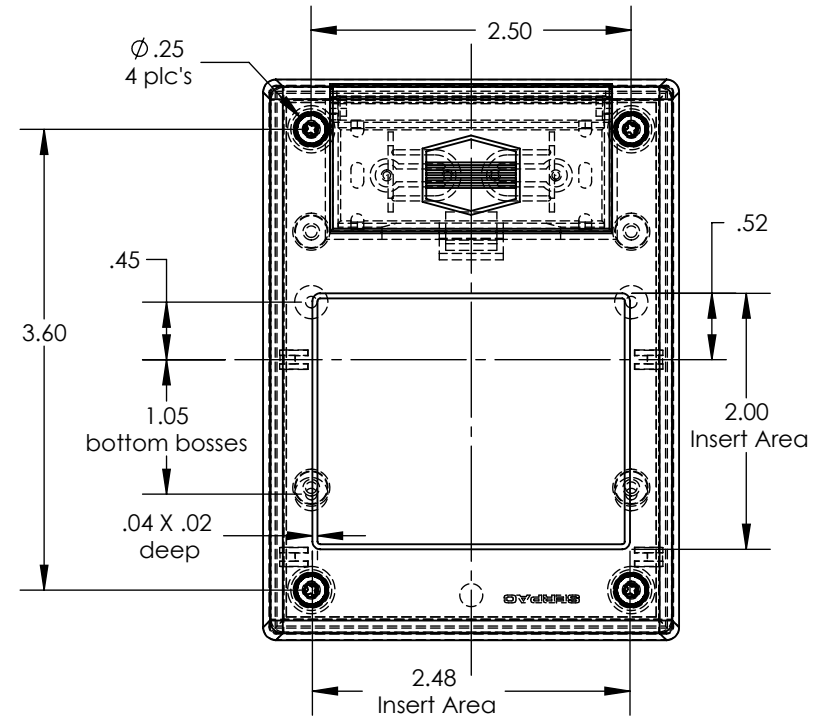
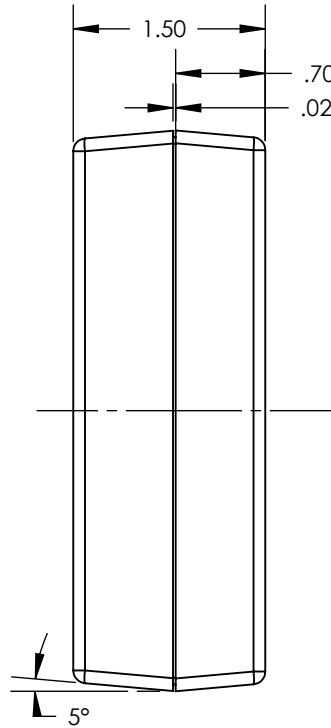
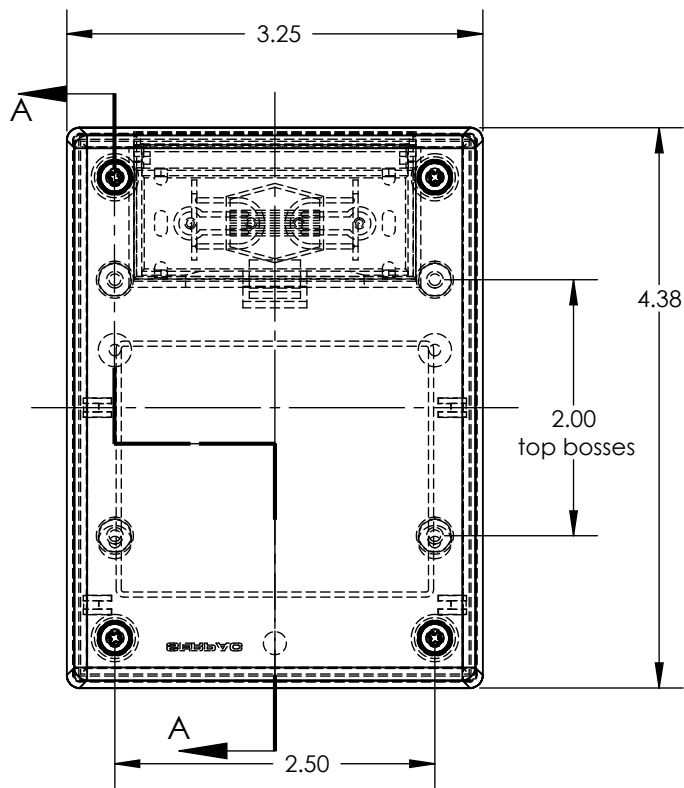


# SERPAC 231R (user print)

Electronic Enclosures



PART NO.	DESCRIPTION (Included)	ACCESSORIES (Optional)
3-1R	TOP	PART NO. DESCRIPTION
23	BOTTOM	50 Non-skid Feet
1025	Battery Cover	339 Prototype grid board (bottom)
6017	4-40 Screws (4)	439 Prototype clad board (bottom)
6102	Threaded Inserts (4)	330/430 Prototype grid/clad board (top)

- Notes: Enclosure weight .22 lbs / 100 gm  
 1) Enclosure meets or exceeds IP40 and NEMA 1  
 2) Circuit Board drawings can be download at:  
<http://www.serpac.com/Accessories/CircuitBoard/drawings/330-430-cbg.pdf>  
 3) All components are RoHS Compliant.