

PLEASE CHECK WWW.MOLEX.COM FOR LATEST PART INFORMATION

Part Number: [0638018550](#)
Status: **Active**
Description: FFC 2 thru 20 Circuit Termination Kit for use in the Molex TM-3000 or TM-4000 press installed into the TM-42 Replacement Crimp Module

Documents:

[RoHS Certificate of Compliance \(PDF\)](#)

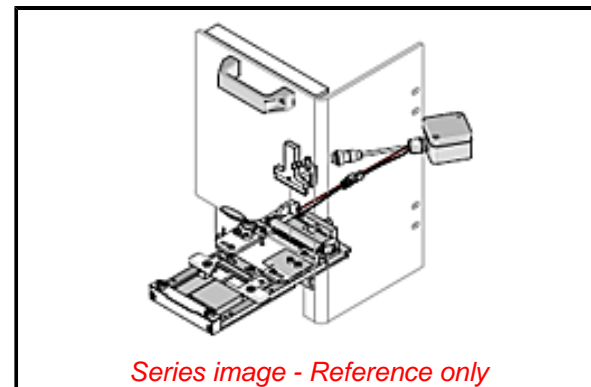
General

Product Family	Application Tooling
Series	T1202
Application Tooling Video	www.youtube.com/watch?v=7FLD5hiufUk
Comments	The 63801-8550 is the FFC tool kit that is required to be installed into the 63801-8500 TM-42 replacement crimp module that is required to be installed into one of the Molex Industry Standard Crimp presses; TM-3000 63801-7200 110v, TM-3000 63801-7300 220v, or TM-4000 63801-7600 220v. One of the three above press part numbers are required for the TM-42 replacement crimp module to function and the FFC termination kit goes into the TM-42 replacement crimp module.
Function	Crimp
Geographic Area	Global
Level of Automation	Semi-Automatic
More Detailed Tech Information	applicationtooling@molex.com
Product Name	N/A
Tool Type	Base Unit
UPC	887191410531
Warranty Disclaimer	CAUTION: Molex tooling crimp specifications are valid only when used with Molex terminals and tooling manufactured by Molex and sold by Molex or authorized distributors ("Molex Tooling"). When using tooling other than Molex Tooling with Molex specific connector systems listed in our ATS documents, the Molex tooling qualification does not apply and the responsibility for full qualification of the connector system is that of the customer. Molex accepts no liability for connector performance or tooling support where tooling other than Molex Tooling is used or where Molex Tooling is modified.

Material Info

Reference - Drawing Numbers

Application Tooling Documents TM-638018550



Series image - Reference only

EU ELV

Not Reviewed

EU RoHS

Not Reviewed

REACH SVHC

Not Reviewed

Halogen-Free

Status

Not Reviewed

Need more information on product environmental compliance?

Email productcompliance@molex.com
Please visit the [Contact Us](#) section for any non-product compliance questions.

China ROHS

Not Reviewed

ELV

Not Reviewed

RoHS Phthalates

Not Reviewed

Search Parts in this Series

[T1202 Series](#)

Use With

TM-3000 Universal Press [63801-7200](#), [63801-7300](#). TM-4000 Universal Press [63801-7600](#), [63801-8500](#) TM-42 replacement crimp module in a Molex TM-3000 or Molex TM-4000 press . One of the three above press part numbers are required