

4

3

2

1

THIS DRAWING IS UNPUBLISHED.

RELEASED FOR PUBLICATION

2008

© COPYRIGHT 2008

BY TYCO ELECTRONICS CORPORATION. ALL INTERNATIONAL RIGHTS RESERVED.

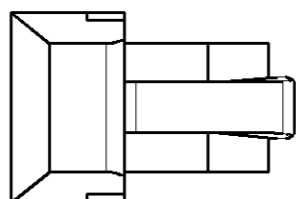
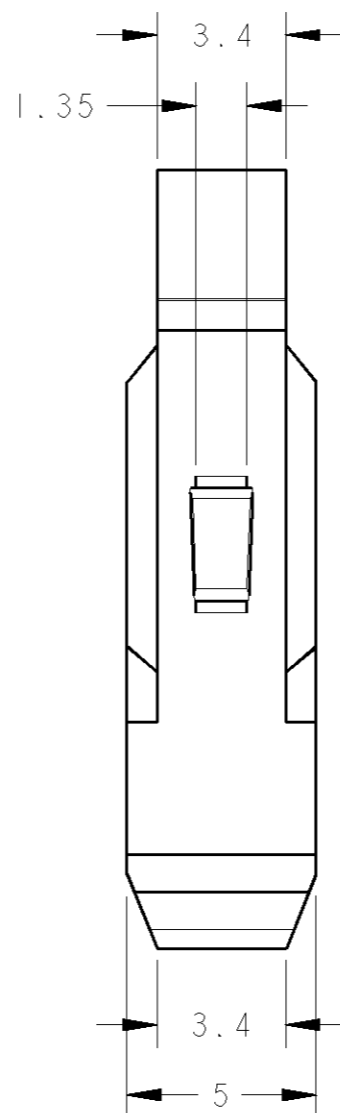
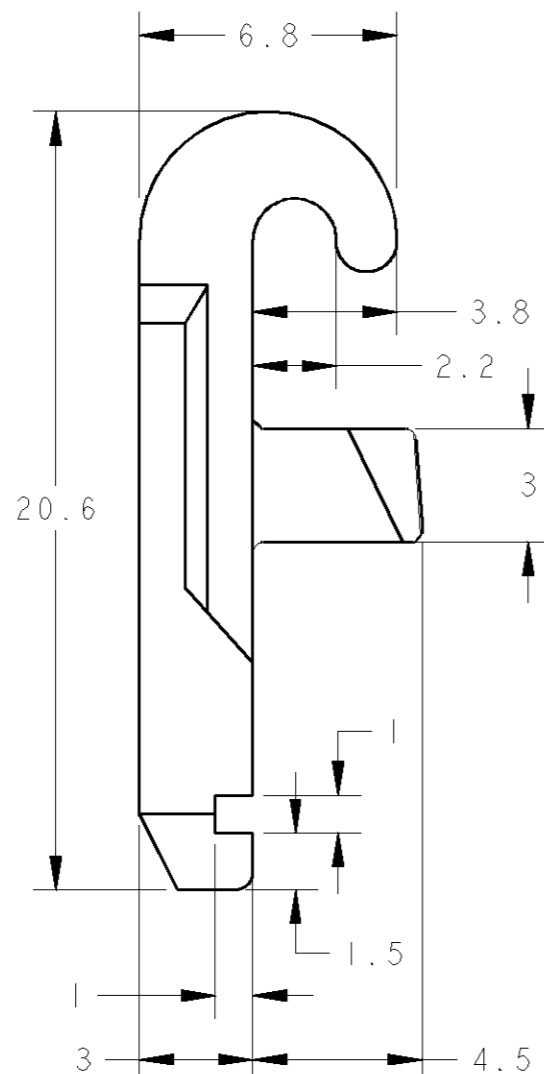
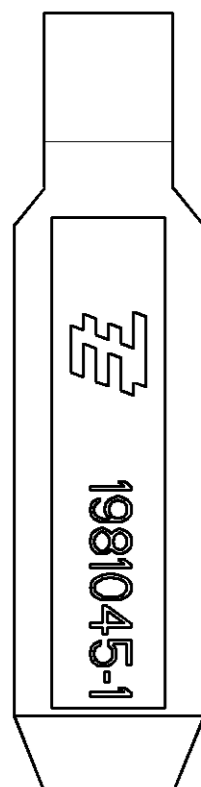
LOC  
J

DIST

REVISIONS

変更

P	LTR	DESCRIPTION	DATE	DWN	APVD
	B	REVISED PER ECR-10-007266	22APR2010	HMR	T.M



1. 材料: ポリアミド  
2. 取扱説明書 411-48272 参照

1. MATERIAL: POLYAMIDE  
2. SEE INSTRUCTION SHEET 411-78272

THIS DRAWING IS A CONTROLLED DOCUMENT FOR TYCO ELECTRONICS CORPORATION IT IS SUBJECT TO CHANGE AND THE CONTROLLING ENGINEERING ORGANIZATION SHOULD BE CONTACTED FOR THE LATEST REVISION.		DWN T. KUDO 21APR2008	Tyco Electronics Corporation Kawasaki, Japan	
DIMENSIONS: 単位: 丸 mm		CHK S. MANABE 21APR2008	NAME 名称 DYNAMIC D3900 SERIES SPRING OPENER SPRING CLAMP TYPE	
TOLERANCES UNLESS OTHERWISE SPECIFIED: 一般公差 ±0.3, ±5° 0-PLC ± 1-PLC ± 2-PLC ± 3-PLC ± 4-PLC ± ANGLES ±		APVD S. MANABE 21APR2008	PRODUCT SPEC 製品規格 108-78400	
MATERIAL 材料 POLYAMIDE		APPLICATION SPEC 取付適用規格	SIZE A3	RESTRICTED TO
FINISH 仕上		WEIGHT 0.414g	CAGE CODE 00779	DRAWING NO C=1981045
CUSTOMER DRAWING		SCALE 尺度 5:1	SHEET 1	OF 1
			REV B	