

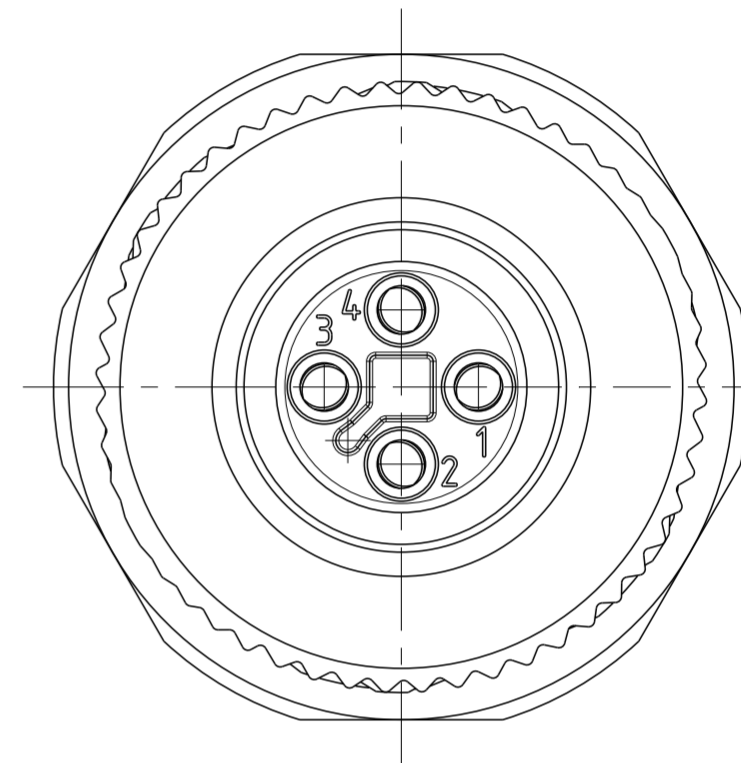
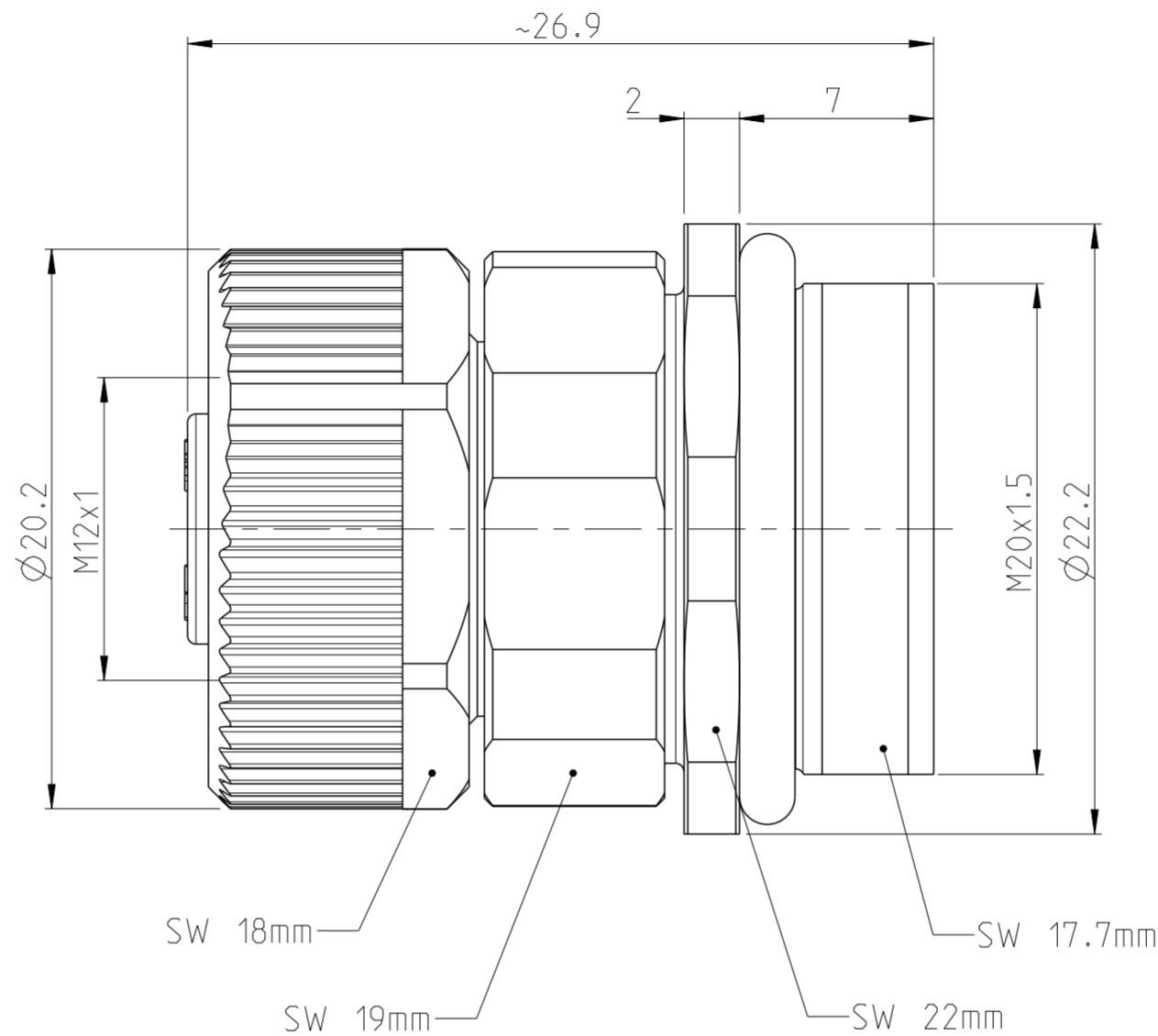
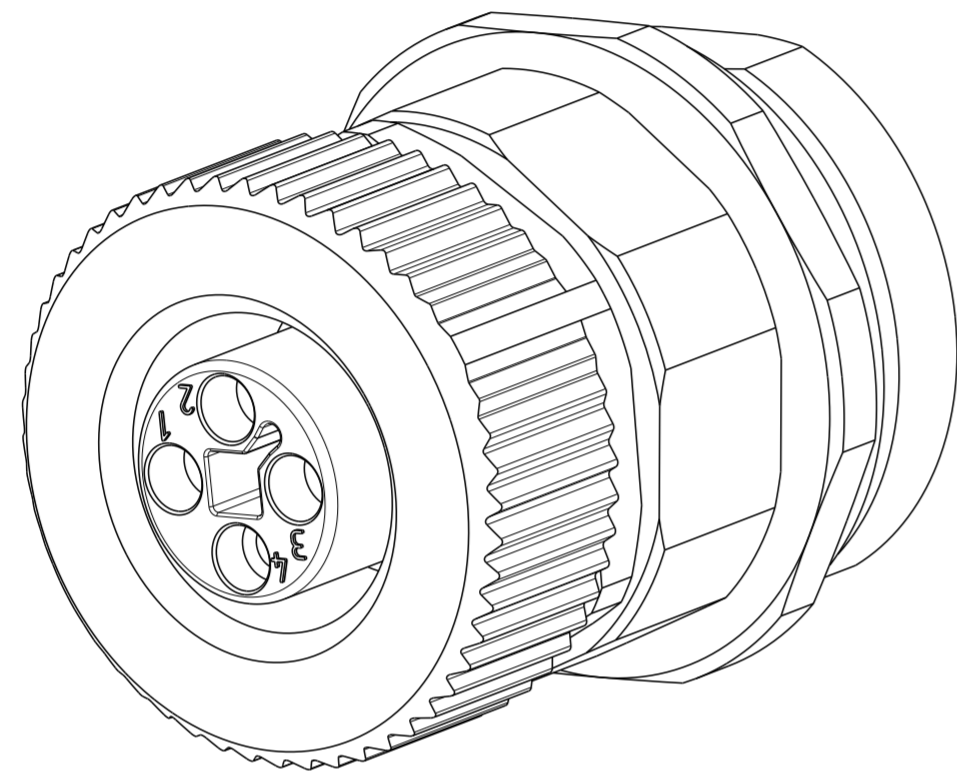
REVISIONS				DATE	DWN	APVD
P	LTR	DESCRIPTION	BESCHREIBUNG			
	A1	NEW DRAWING		24 JUN 2014	YR	CS

1 MATERIAL: ITEM NO. 1: HOUSING - ZINC DIECASTING, NICKEL PLATED
 ITEM NO. 2: CONTACT BODY - PA
 ITEM NO. 3: CONTACT - CuZn (brass)
 CONTACT FINISH - Au (gold)

2 ALL DIMENSIONS ARE FOR NOMINAL REFERENCE ONLY UNLESS OTHERWISE STATED

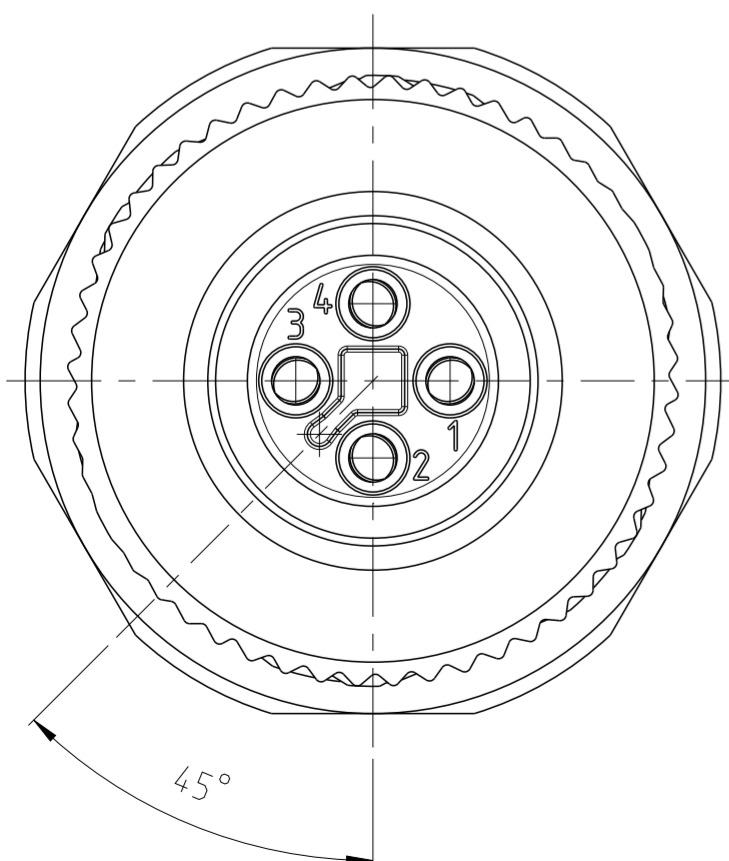
3 MEASUREMENT REFERENCE ONLY

4 PACKAGING: 1 PIECE IN A BAG



PIN ARRANGEMENT
T-CODING

0-2120946-1



TECHNICAL DATA	0-2120946-1
RATED VOLTAGE	60V
RATED IMPULSE VOLTAGE	1500V
POLLUTION DEGREE	3
OVERVOLTAGE CATEGORY	III
MATERIAL GROUP	III
RATED CURRENT	12A
VOLUME RESISTIVITY	≤ 3mΩ
DEGREE OF PROTECTION	IP67
UPPER TEMPERATURE	+85 °C
LOWER TEMPERATURE	-40 °C

SIZE ISO 14405 (E)

16 / 1.50	⚠	4	0-2120946-1
WIRES AWG / mm ²	MATERIAL	NUMBER OF POLES	TE-PART-NO.

DIESE ZEICHNUNG IST EIN KONTROLLIERTES DOKUMENT.
BEMASSUNGEN UND TOLERANZEN GEMAESS GPS (ISO STANDARDS).

THIS DRAWING IS A CONTROLLED DOCUMENT.
DIMENSIONING AND TOLERANCING PER GPS (ISO STANDARDS).

DIMENSIONS: MASSEINHEITEN: (MM)	TOLERANCES UNLESS OTHERWISE SPECIFIED: ALLGEMEINTOLERANZEN	DWN YASHKUMAR 24 JUN 2014	TE Connectivity
		CHK M. STRELOW 24 JUN 2014	
		APVD C. SCHREITTLINGER 24 JUN 2014	
		NAME	
MATERIAL - -			M12 RECEPTACLE PANEL MOUNTED CONNECTOR, POWER, T-CODED, M20 x 1.5
DIMENSIONS: MASSEINHEITEN: (MM)		SIZE A2	
DIMENSIONS: MASSEINHEITEN: (MM)		CAGE CODE 00779	
DIMENSIONS: MASSEINHEITEN: (MM)		DRAWING NO. ZEICHNUNGS-NR. C-2120946	
DIMENSIONS: MASSEINHEITEN: (MM)		RESTRICTED TO NUR FUER -	
DIMENSIONS: MASSEINHEITEN: (MM)		SCALE MASSSTAB 4:1	
DIMENSIONS: MASSEINHEITEN: (MM)		SHEET BLATT 1 OF 1	
DIMENSIONS: MASSEINHEITEN: (MM)		REV A1	

Customer Drawing / KUNDENZEICHNUNG