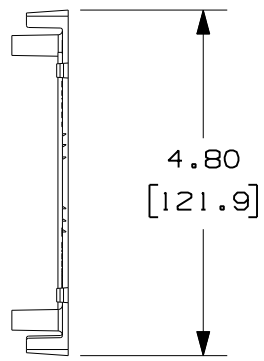
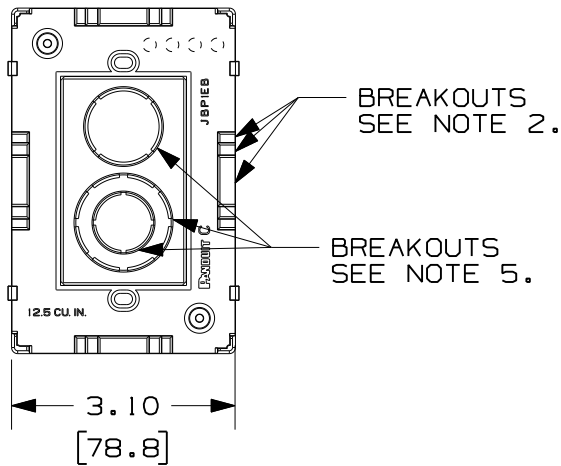
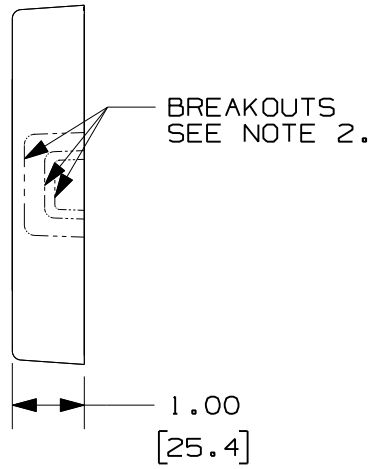
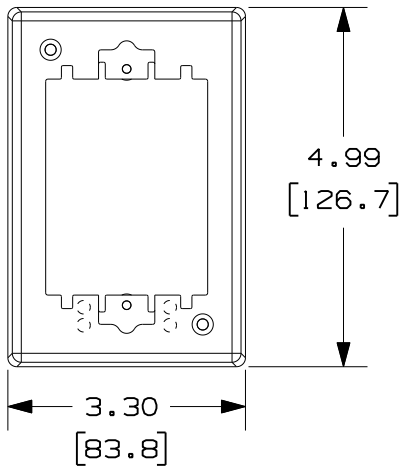


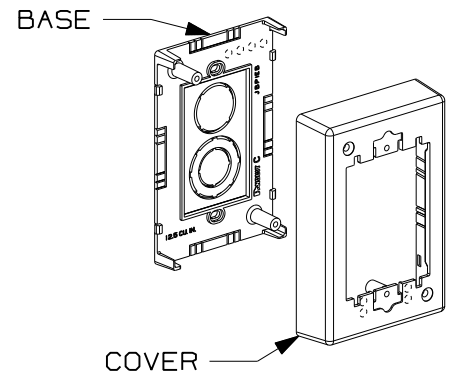
THIS COPY IS PROVIDED ON A RESTRICTED BASIS AND IS NOT TO BE USED IN ANY WAY DETRIMENTAL TO THE INTERESTS OF PANDUIT CORP.



| PANDUIT PART NUMBER | WEIGHT | VOLUME CU. IN./CC |
|---------------------|-----------------------------|-------------------|
| JBP1E | 0.15 LB/ PC (68.9 g/ PC) | 12.5 (205) |

NOTES:

1. SEE CURRENT CATALOG FOR ADDITIONAL PART SUFFIXES TO INDICATE COLOR AND OR PACKAGE QUANTITY.
2. BREAKOUTS FOR LDS AND LDPH RACEWAYS ARE PROVIDED ON ALL FOUR SIDES IN THE BASE AND COVER.
3. COVER IS EXTENDED OUT AND DOWN AROUND SIDES OF BASE WHEN ASSEMBLED.
4. DIMENSIONS IN PARENTHESES ARE IN METRIC.
5. BREAKOUTS TO ACCOMODATE CONDUIT SIZES OF 1/2", 3/4" & 1" DIAMETERS.



CAD FILENAME/LAYERS D36085BE_DC_JBP1_00B

PANDUIT CORP. TINLEY PARK, ILLINOIS
EXTENSION JUNCTION BOX
SINGLE GANG (JBP1E)
 CUSTOMER DRAWING

UNLESS OTHERWISE SPECIFIED, DIMENSIONAL TOLERANCES ARE:
 (.X) ± (.XXX) ±
 (.XX) ±.03 (.8) ANGLES ±

UNLESS OTHERWISE SPECIFIED, ALL DIMENSIONS ARE GIVEN IN INCHES, THIRD ANGLE PROJECTION.

| REV | DATE | BY | CHK | DESCRIPTION | ECN | CHK | CUST | SUP |
|-----|----------|-----|------|------------------------|----------|------|------|-----|
| I | 10-19-09 | BDK | RMHI | A. REVISED AND REDRAWN | 36085-05 | RMHI | RTFI | |
| R | 12-10-98 | DW | JAWA | RELEASED TO PRODUCTION | 36085-05 | HIW | HIW | |

| | | |
|------------------|--------------------|-------------------------|
| DRAWN BY DW | MAT'L: PVC | SCALE NONE |
| DATE 12-10-98 | CHECKED BY JAWA | DRAWING NO. 36085-05 |
| | | DWG A SIZE |