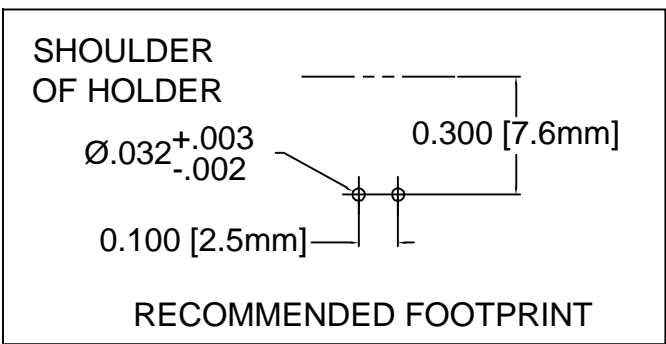
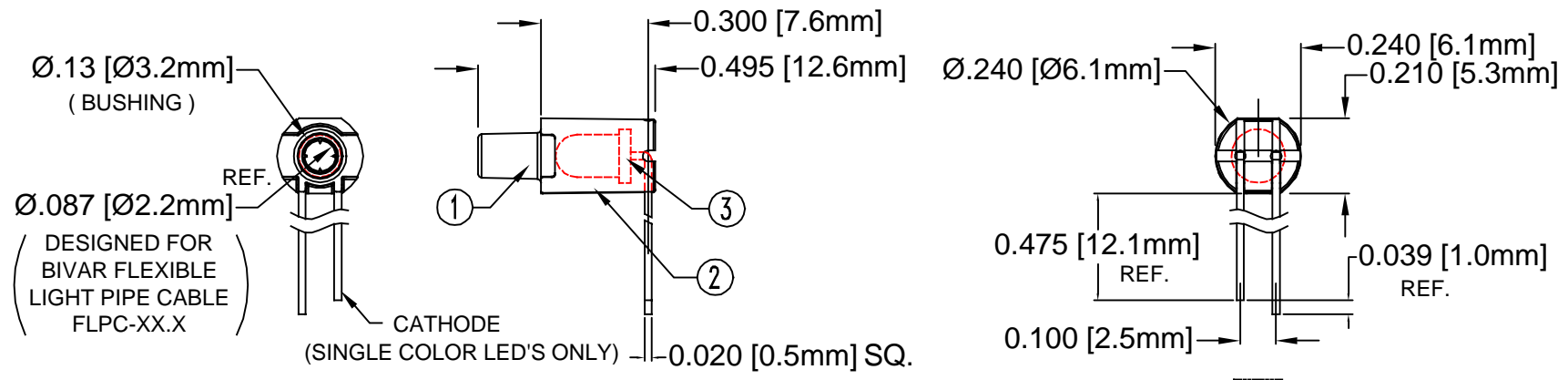


ITEM	QTY	PART NUMBER	PART DESCRIPTION
1	1	PML3-1	FLEXIBLE LIGHT-PIPE HOLDER, BUSHING
2	1	PML3-2	FLEXIBLE LIGHT-PIPE HOLDER, BODY
3	1	3SUGCL-F	T-1 (3mm) LED FLANGED



REV.	DESCRIPTION	DATE	APPROVED
A	Engineering Release.	02/22/07	M. C.



LED Part No.	Chip			Lens Appearance	Absolute Maximum Ratings				Electro-Optical Data @ 2mA			Viewing Angle (Deg)
	Material	Peak Wave Length λ_p (nm)	Emitted Color		$\Delta\lambda$ (nm)	Pd (mW)	If (mA)	Peak If (mA)	Vf (V)	Iv (mcd)		
									Typ.	Max.	Typ.	
3SUGCL-F	AlInGaP/GaAs	573	YELLOW GREEN	WATER CLEAR	15	14	7	5	1.8	2.2	70	35

ABSOLUTE MAXIMUM RATINGS (Ta = 25°C)

REVERSE VOLTAGE _____ 5V
 REVERSE CURRENT (VR=5V) _____ 100µA
 OPERATING TEMPERATURE RANGE _____ -40°C ~ 80°C
 STORAGE TEMPERATURE _____ -40°C ~ 85°C
 LEAD SOLDERING TEMPERATURE (1/16" FROM BODY) _____ 260°C for 5 Seconds

STANDARD TOLERANCE (UNLESS OTHERWISE SPECIFIED)		 4 THOMAS, IRVINE, CA. 92618 TEL: (949) 951-8808 FAX: (949) 951-3974	
DECIMALS	ANGULAR		
.X ± .1	X° ± 1°		
.XX ± .02		 TITLE: FLEXIBLE LIGHT PIPE ADAPTER, RIGHT ANGLE, W/LED	
.XXX ± .010			
DESIGNED: Dan Beckman	DATE: 02/22/07	PART NO: FLPR-SUGL	
CHECKED: T. Yin	DATE: 02/22/07	REVISION: A	
		CAGE CODE : 32559 SHEET # 1 OF 1	
CAD GENERATED DOCUMENT, DO NOT MEASURE DRAWING.			