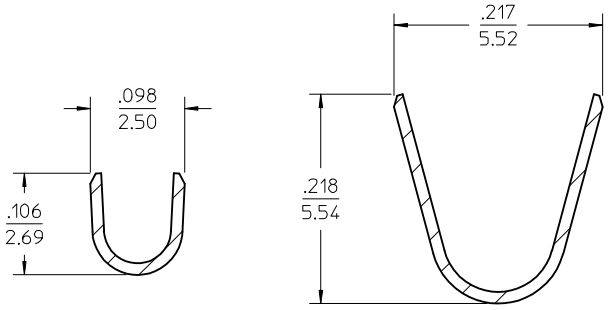


CARRIER STRIP PROGRESSION
SCALE 2:1

- NOTES:
1. MATERIAL: BRASS
 2. FINISH: 20 MICROINCH / (0.5 MICROMETER) MIN. HOT TIN DIP OVERALL.
 3. PRODUCT SPECIFICATION: PS-44441-001.
 4. PACKAGING: TERMINALS WOUND ON 24" REELS WITH PAPER INTERLEAF.
 5. THIS TERMINAL FOR USE WITH 18-20 AWG STRANDED WIRE, UL STYLE 1015, 1056 OR SPT-3 WIRE, .180/4.57 MAXIMUM INSULATION DIAMETER.
 6. TERMINAL MATES TO .125/3.18 WIDE X .020/0.51 THICK FLAT BLADE TERMINALS. MATING CRIMP TERMINAL: 43178 SERIES.
 7. TERMINAL HAS TPA (TOTAL POSITIONING ASSURANCE) OPTIONAL ACTIVATION FEATURE THAT WHEN ACTIVATED AND USED WITH MOLEX "SABRE" SERIES RECEPTACLE HOUSINGS, PROVIDES SECONDARY LOCK SYSTEM WHICH ENSURES AGAINST TERMINAL BACKOUTS.



SECTION Z-Z
CONDUCTOR CRIMP

SECTION Y-Y
INSULATION CRIMP

ENTER DESCRIPTION EC NO: UCP2009-1607 DRWN:BWIRKUS 2009/04/20 CHKD:BWIRKUS 2009/04/21 APPR:BWIRKUS 2009/04/22	QUALITY SYMBOLS ▽=0 ▽=0	GENERAL TOLERANCES (UNLESS SPECIFIED)		DIMENSION STYLE IN/MM	SCALE 10:1	DESIGN UNITS INCH	THIRD ANGLE PROJECTION	
		4 PLACES ± --- ± ---	3 PLACES ± --- ± .010	DRAWN BY BWIRKUS	DATE 4-17-2009	TITLE TERMINAL, FEM, 18-20 AWG .125/(3.18) WIDE, W/TPA UL 1015, 1056 OR SPT-3		
		2 PLACES ± 0.25 ± .014	1 PLACE ± 0.35 ± ---	CHECKED BY BWIRKUS	DATE 4-17-2009	MOLEX MOLEX INCORPORATED		
		ANGULAR ± 1/2°		APPROVED BY APATEL	DATE 4-20-2009	MATERIAL NO. 433753001		
DRAFT WHERE APPLICABLE MUST REMAIN WITHIN DIMENSIONS		MATERIAL NO. 433753001		DOCUMENT NO. SD-43375-311		SHEET NO. 1 OF 1		
THIS DRAWING CONTAINS INFORMATION THAT IS PROPRIETARY TO MOLEX INCORPORATED AND SHOULD NOT BE USED WITHOUT WRITTEN PERMISSION								