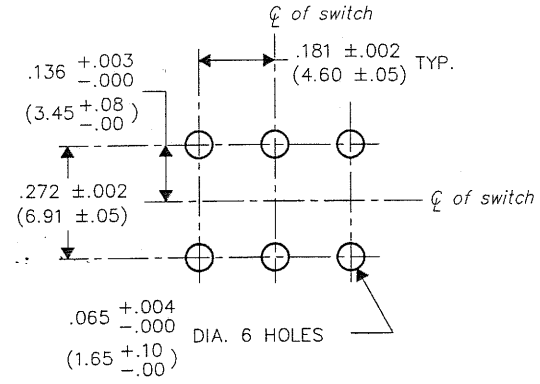
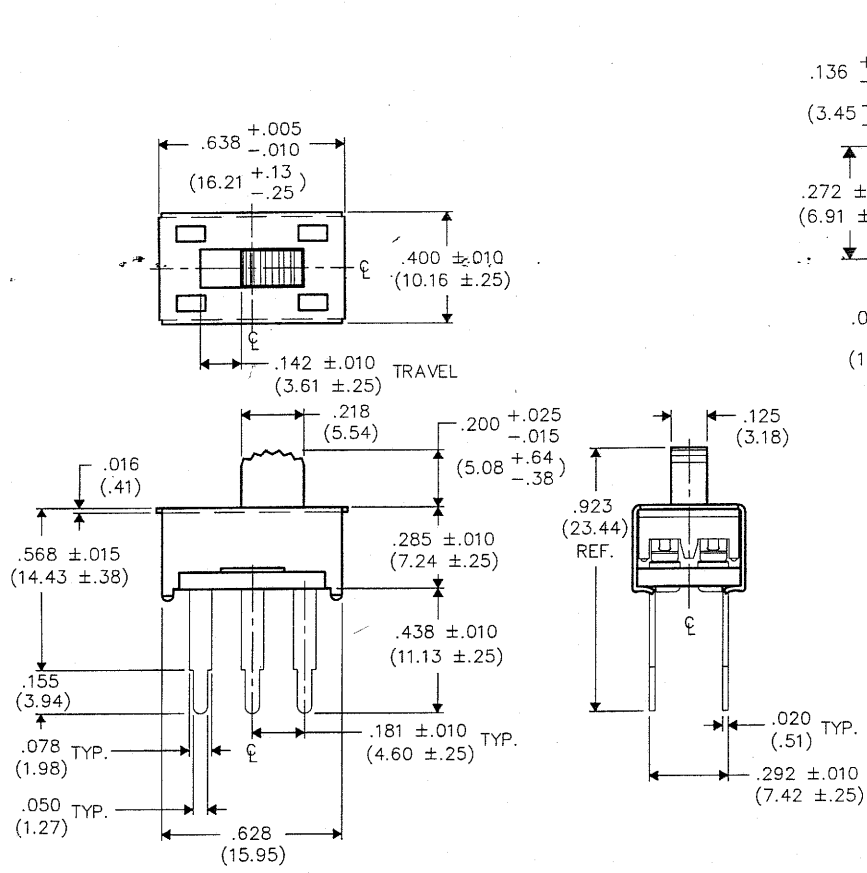


DIMENSIONS IN INCHES (MILLIMETERS)  
DO NOT SCALE DRAWING .....

Dwg. No.  
**GF-126-0119**

**P.C. LAYOUT**

E  
D  
C  
B  
A



1      2      3      4      5      6      7      8      9      10

B-FORMAT 2002  
**REVISIONS**  
1  
REDRAWN WITH NEW FORMAT.  
DGW 12-02-2005  
**JAN 10 2006**

<b>CW INDUSTRIES</b> Southampton, Pa. 18966	
TOLERANCES UNLESS OTHERWISE SPECIFIED	
2 Place Decimal ±.010	METRIC
3 Place Decimal ±.005	1 Place Dec. ±.25mm
Angles ..... ±1°	2 Place Dec. ±.13mm
Made for: CW IND.	Division: SWITCH
Drawn by: DGW 12-02-2005	Dwg. No. GF-126-0119
Checked by: G. Guld 1-4-06	
Approval: [Signature] 1-4-06	

Title: **SWIDGET ASSEMBLY**  
D.P.- D.T.  
RAD. KNURL