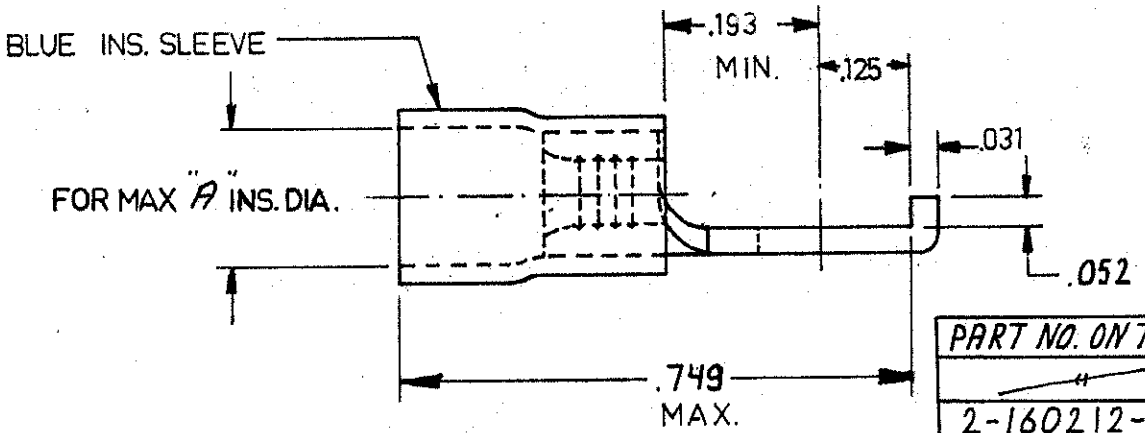
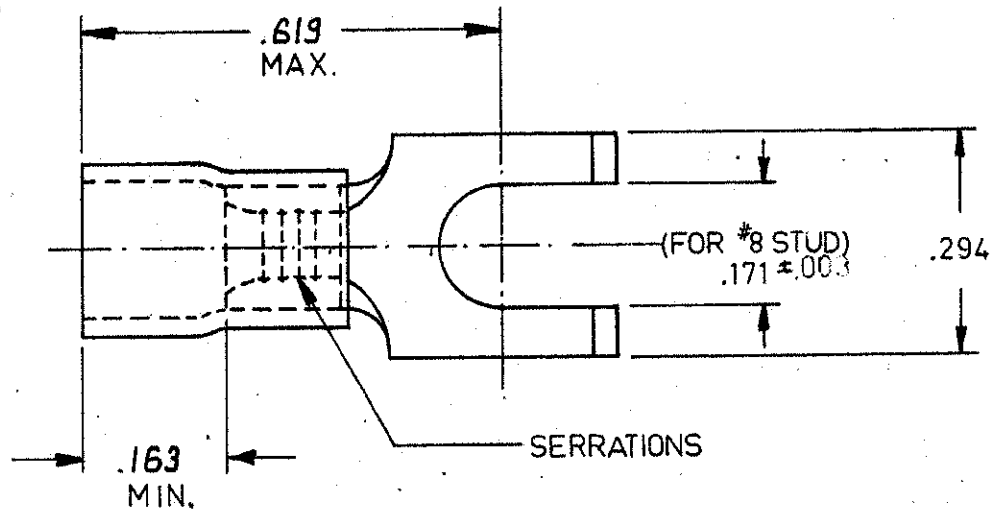


DIMENSIONS IN INCHES —DO NOT SCALE PRINT

1 PART NO. IS OBSOLETE  
 2 SUPERSEDED BY 160212

ORDER NO 160212



PART NO. ON TAPE	PART NO	A
	160212	.195
2-160212-1	160212-1	.173

CUSTOMER PRINT FOR REFERENCE ONLY

©1964 BY AMP Holland N.V. ALL RIGHTS RESERVED. AMP PRODUCTS COVERED BY PATENTS AND/OR PATENTS PENDING.

-9	-8	-7	-6	-5	-4	-3	-2	-1	DWG SIZE	NUMBER	NAME	REMARKS	ITEM NO.	
REQUIRED PER ASSEMBLY									MATERIAL	HEAT TREAT	FINISH			
									COPPER		TINPLATED			
										DR. G. Arnold 12-7-64	DATE APP.	DATE REL.	DATE	
										CHK. [Signature] 1-5-64	DATE APP.	DATE FIRST USED		
AMP-HOLLAND N.V.										TYPE	PRINT DIST	LOC	SIZE NUMBER	REV
HERTOGENBOSCH HOLLAND										P. G.		H A	C-160 212-EE	E
SCALE		WIRE SIZE		CMA		NAME		FLANGED SPADE						
4-1		16-14		MAX. MIN.										
DESCRIPTION														