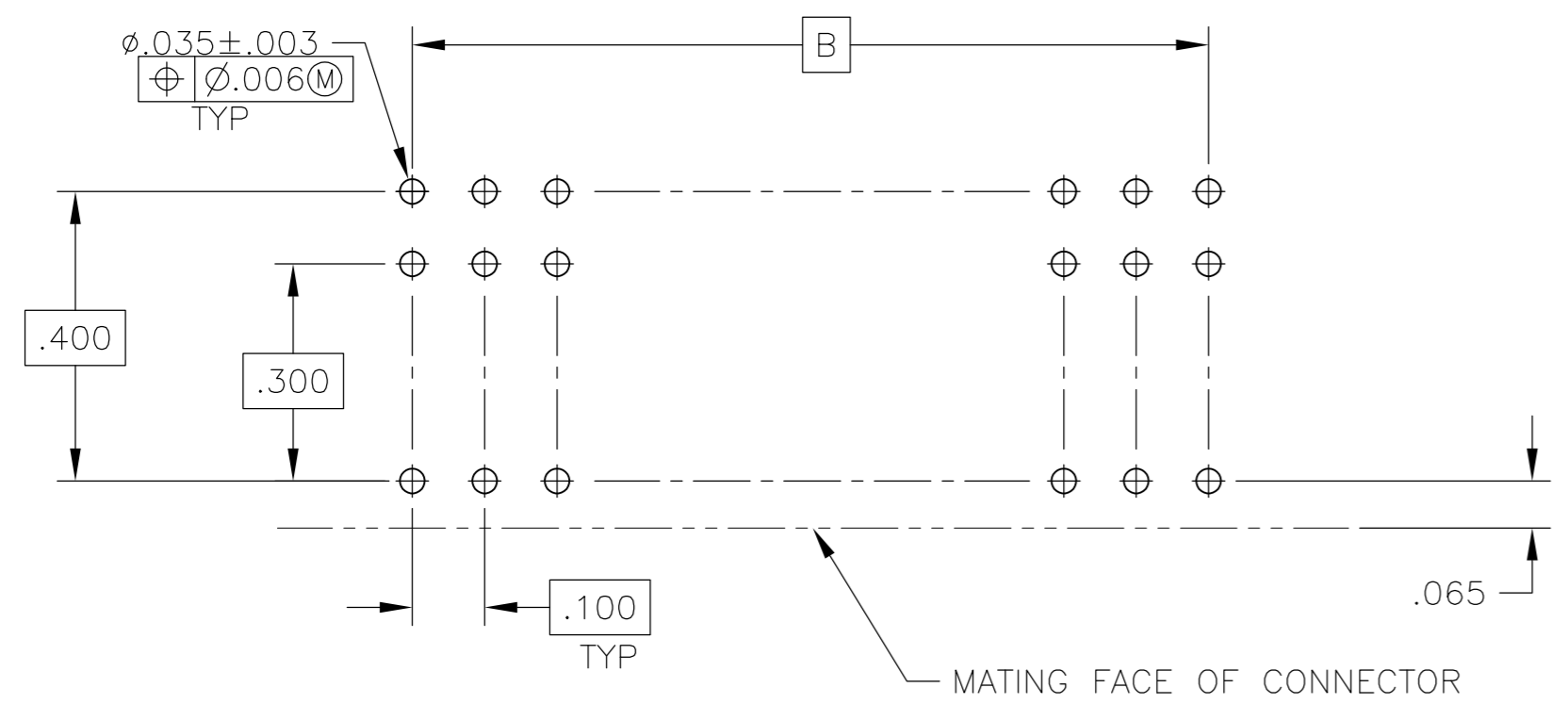
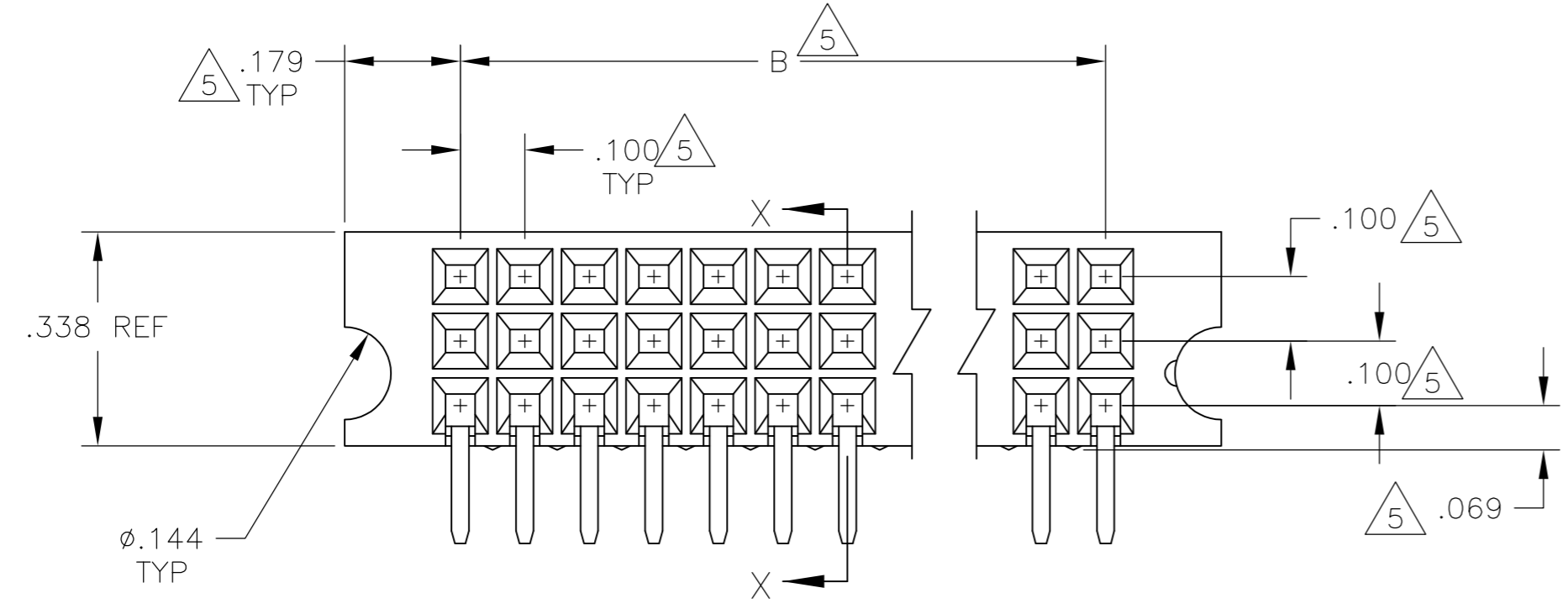
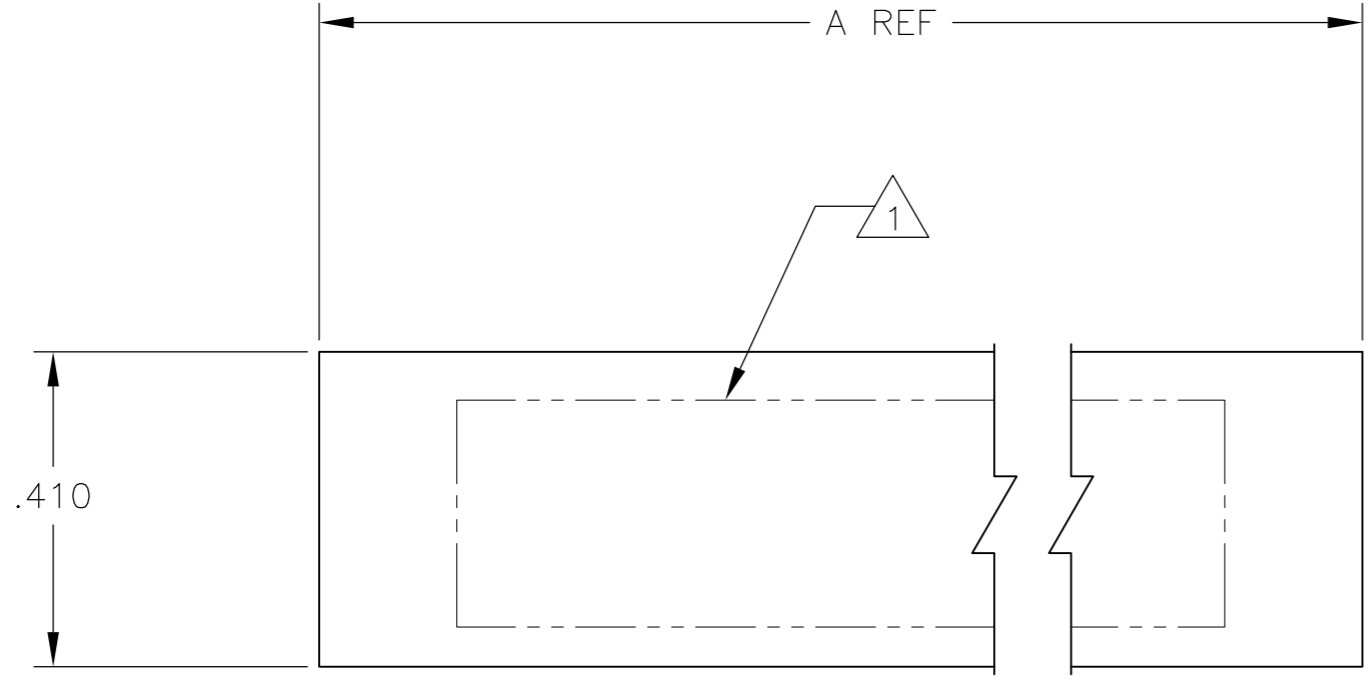
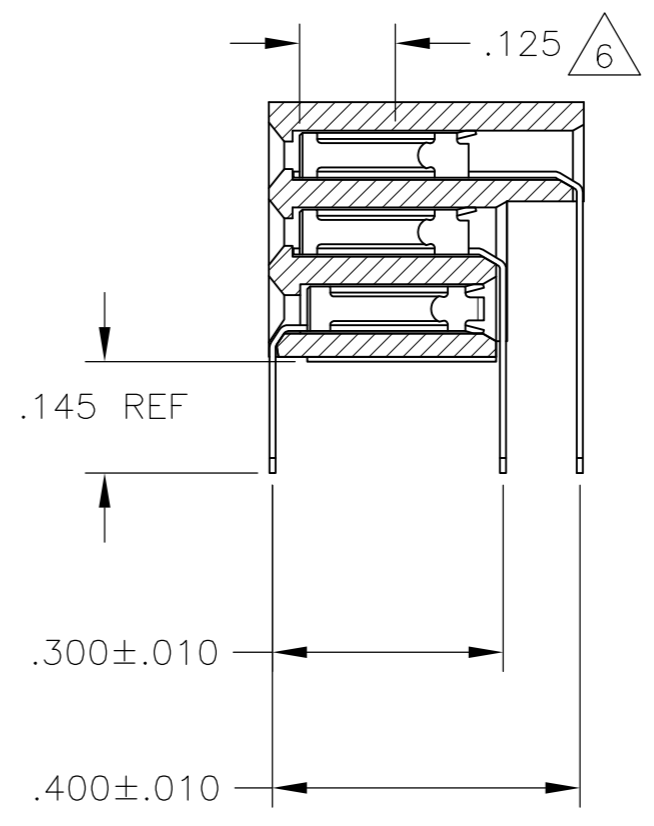


THIS DRAWING IS UNPUBLISHED. RELEASED FOR PUBLICATION  
 © COPYRIGHT BY TYCO ELECTRONICS CORPORATION. ALL RIGHTS RESERVED.

LOC		DIST		REVISIONS			
P	LTR	DESCRIPTION	DATE	DWN	APVD		
	E1	ECO-06-16525	02OCT06	MB	JO		
	E2	REVISED PER ECO-09-021510	12SEP09	KK	AEG		



- 1 HOUSING: POLYPHENYLENE SULFIDE GLASS FILLED  
CONTACT: PHOS BRONZE
- 2 CONTACT FINISH: DUPLEX PLATED .000015 GOLD IN CONTACT AREA,  
.000050-.000100 BRIGHT TIN-LEAD ON SOLDER LEADS, ALL OVER .000050 NICKEL.
- 3 CONTACT FINISH: DUPLEX PLATED .000015 GOLD IN CONTACT AREA,  
.000050-.000100 MATTE TIN ON SOLDER LEADS, ALL OVER .000050 NICKEL.
- 4 "AMP", "PART NUMBER", "DATE CODE" THE WORD "FRONT" AND "CSA"  
LOGO WITH .062±.015 HIGH CHARACTERS.
- 5 THESE DIMENSIONS PERTAIN TO CAVITY CENTERLINES ONLY,  
NOT TO CONTACT LOCATIONS
- 6 POINT OF MEASUREMENT FOR PLATING THICKNESS  
(MEASURE INSIDE CONTACT BEAM)
- 7 ROHS 2002/95/EC COMPLIANT.
- 8 OBSOLETE PARTS: OBSOLETE CIS STREAMLINING PER D.RENAUD/D.SINISI



3	6.900	7.258	210	7	5-535549-2
	3.900	4.258	120	7	5-535549-1
2	6.900	7.258	210		535549-2
	3.900	4.258	120		535549-1
FINISH	B	A	NO OF POSN	PART NUMBER	

THIS DRAWING IS A CONTROLLED DOCUMENT.		DWN M.BINNER	02OCT06	Tyco Electronics Corporation Harrisburg, PA 17105-3608	
DIMENSIONS: INCHES		CHK J.OLSON	APVD J.OLSON	NAME	
TOLERANCES UNLESS OTHERWISE SPECIFIED:		PRODUCT SPEC		RECEPTACLE ASSEMBLY, MODII, CLOSED ENTRY, WITH GUIDE PIN EARS	
0 PLC ± -		APPLICATION SPEC		SIZE CAGE CODE DRAWING NO RESTRICTED TO	
1 PLC ± -		WEIGHT		A2 00779 C=535549	
2 PLC ± -		CUSTOMER DRAWING		SCALE 4:1 SHEET 1 OF 1 REV E2	
3 PLC ± .005					
4 PLC ± -					
ANGLES ± -					
FINISH		SEE TABLE			