



PART NAME

# NEMA DIE CAST ALUMINUM ENCLOSURE

PART No.

## AN-1322-A & AN-1322-AB

REVISION DATE

9-30-15

UL LISTED FOR U.S. AND CANADA - FILE #E194432

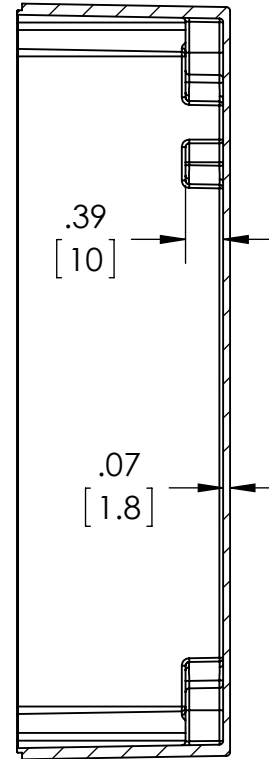
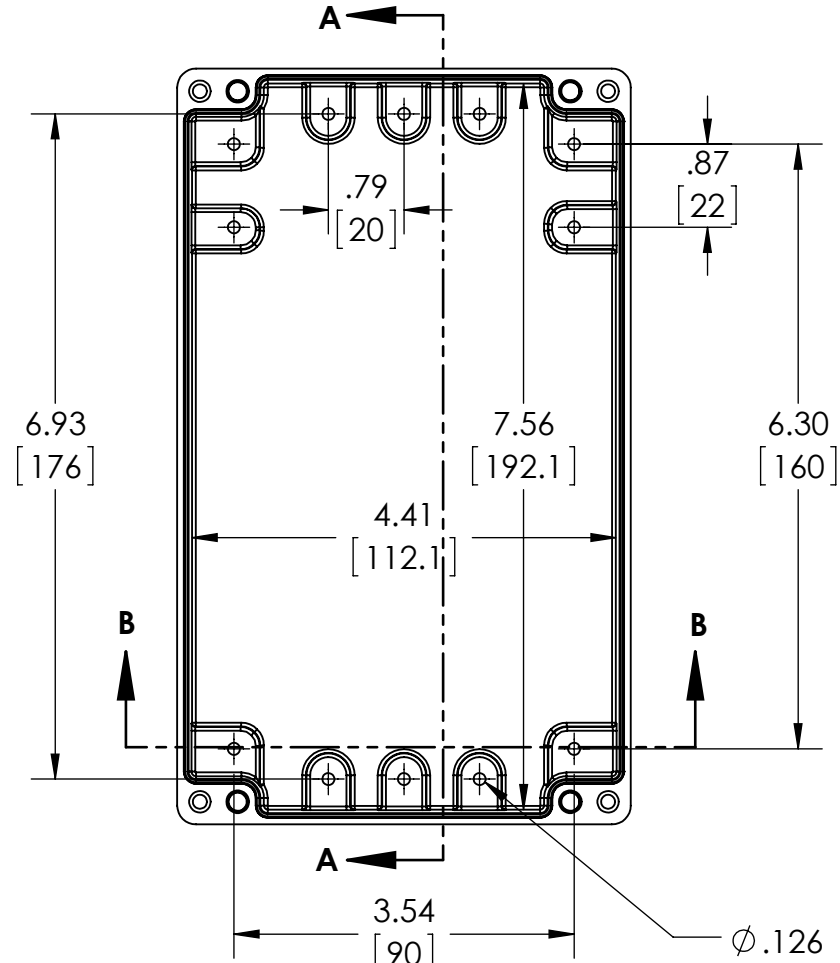
TYPE RATING 4, 4X, 6, 6P, 12 AND 13, COMPARE TO IP-68

80°C. MAXIMUM OPERATING TEMPERATURE

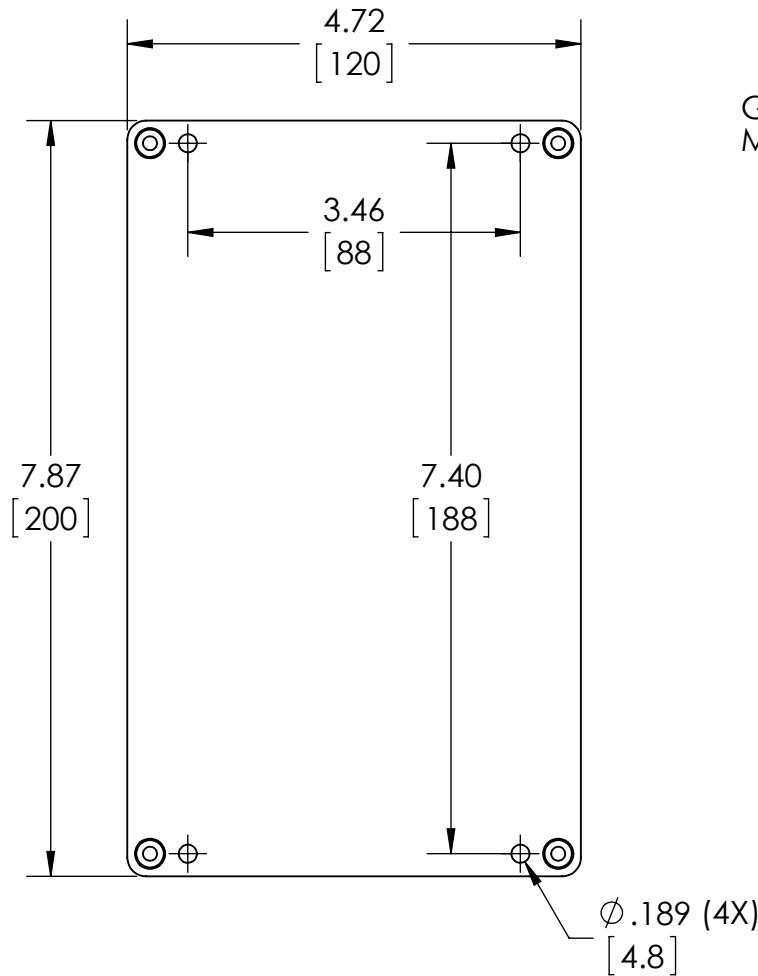
UPDATE REPLACES PART NO. AN-1322 (NATURAL) & AN-1322-G (DISCONTINUED GRAY)

**DRAWING FOR REFERENCE**  
WE RESERVE THE RIGHT TO MAKE CHANGES TO OUR STANDARD PRODUCTS. PLEASE CONSULT WITH BUD INDUSTRIES PRIOR TO USING THIS DRAWING FOR DESIGN PURPOSE.

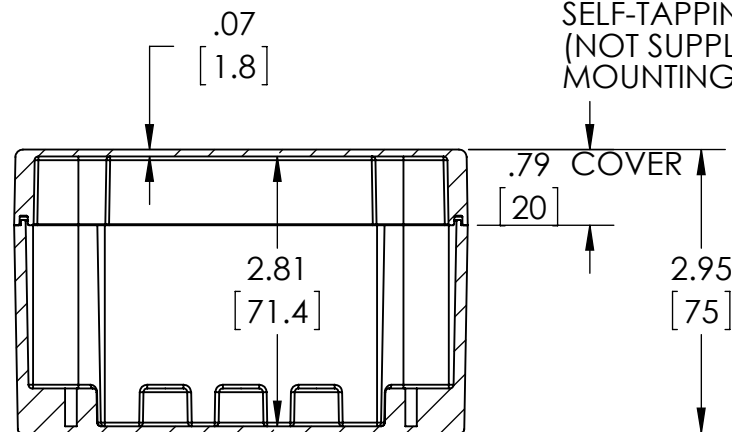
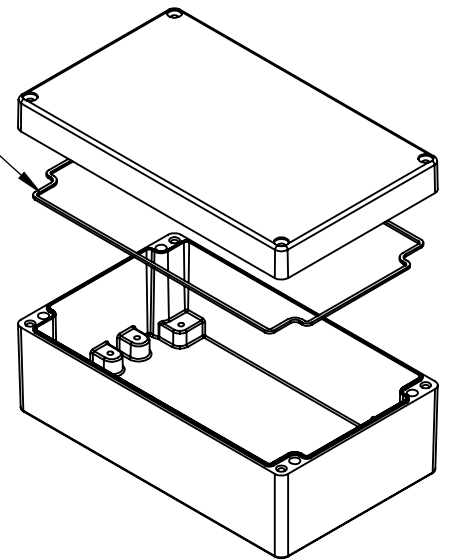
### BODY COVER NOT SHOWN



### SECTION A-A



GASKET (NOT INSTALLED)  
MOLDED SILICONE GRAY



### SECTION B-B

$\phi .126$  x .07 DEEP (12X)  
[3.2] [1.8]  
ACCEPTS M3.5 x 6mm LG.  
OR #6 x 1/4" LG.  
SELF-TAPPING SCREW  
(NOT SUPPLIED - FOR PCB  
MOUNTING)

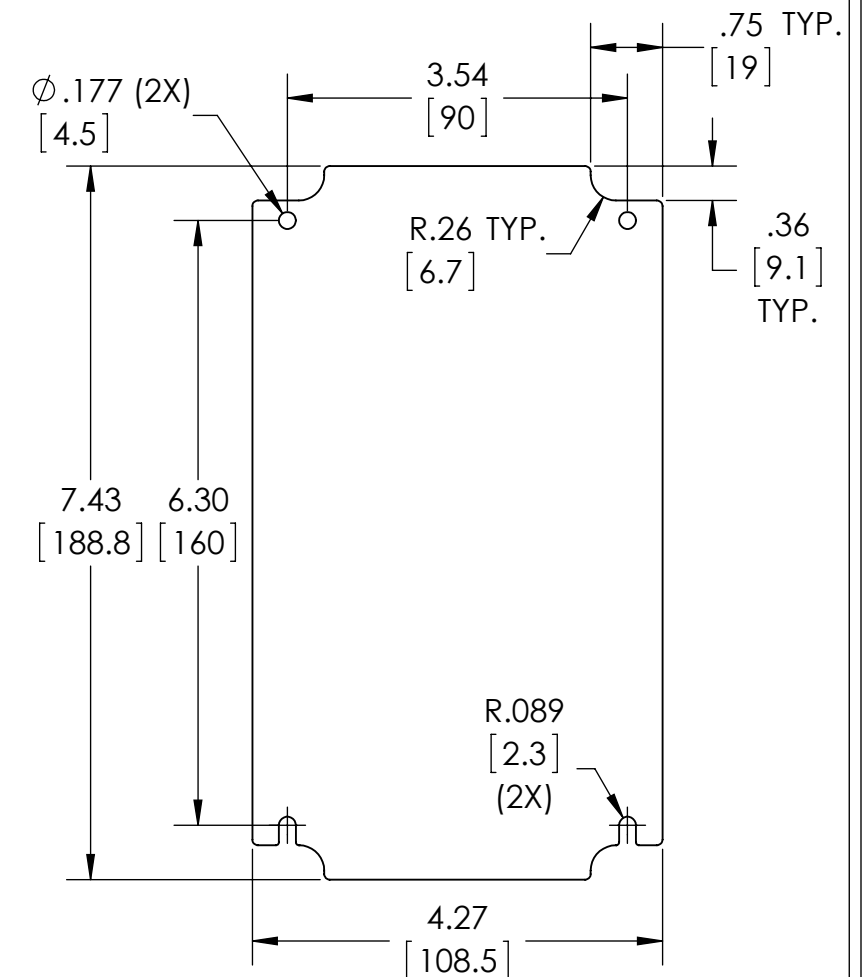
MATERIAL: BODY & COVER - ALUMINUM ALLOY #ADC-12

FINISH: NATURAL (SUFFIX -A)  
SMOOTH BLACK POWDERCOAT (SUFFIX -AB)

FOUR (4) M4x0.7 x 32mm (1.26") LG. 90° CSK. HEAD  
STAINLESS STEEL CAPTIVE SCREWS SUPPLIED FOR  
ASSEMBLY OF COVER TO BODY. APPLY AT 12 IN./LB. OF  
TORQUE.

OUTSIDE AND INSIDE DRAFT ANGLE: 1°  
DIMENSIONS IN INCH[MM]

OPTIONAL ACCESSORIES:  
PCB MOUNTING KIT #57-58  
INTERNAL PANEL #ANX-91322  
WALL MOUNT BRACKETS #ANX-1390  
REPLACEMENT GASKET #1322GSKTSC



### OPTIONAL INTERNAL PANEL AND SUGGESTED PC BOARD LAYOUT