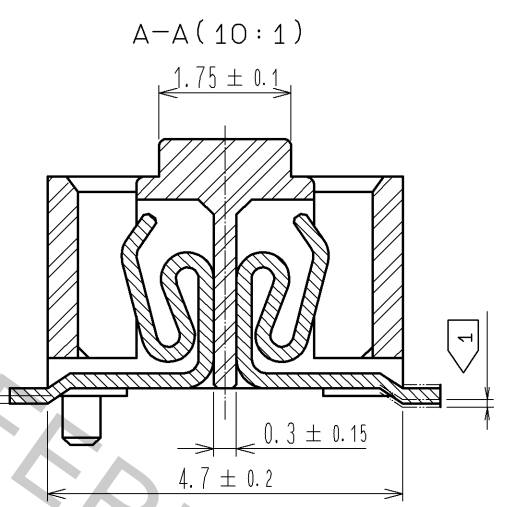
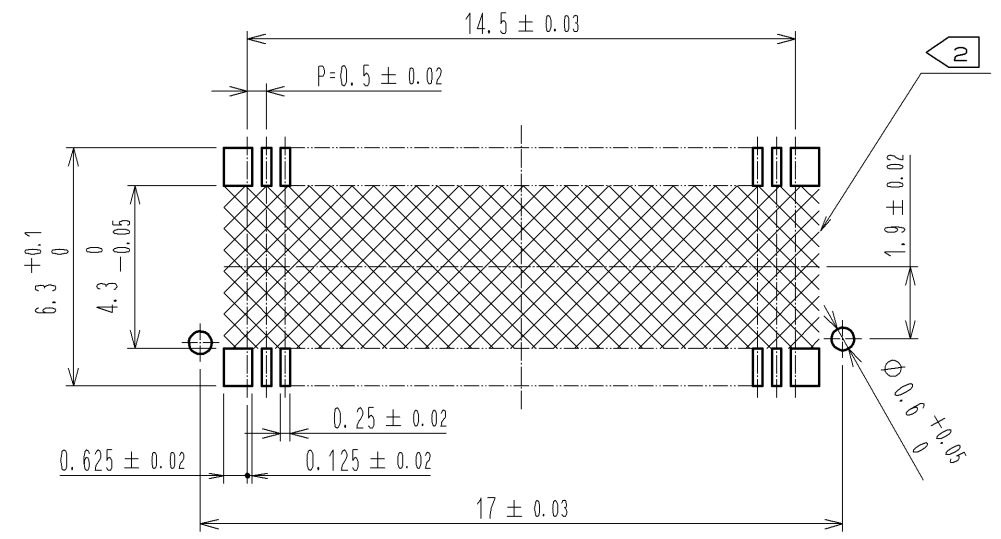
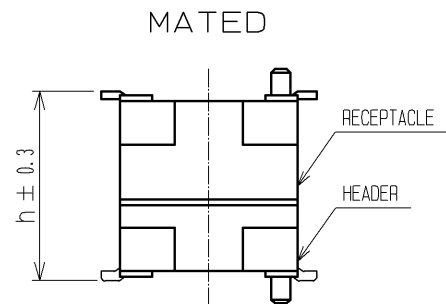


RECOMMENDED PATTERN



NOTES 1: LEAD CO-PLANARITY INCLUDE REINFORCED METAL FITTINGS SHALL BE 0.1mm MAX.  
 2: WHEN A PART MARKED WITH [cross-hatch] HAS A PATTERN BUT NO RESIST ON IT. TAKE CARE TO PREVENT THE CONNECTOR FROM TOUCHING IT.

MATED HIGHT (h)		(mm)
HEADER NO.	RECEPTACLE NO.	
	DF17A(3.0)-60DS-0.5V(57)	
DF17#(2.0)-60DP-0.5V(57)		5
DF17#(4.0)-60DP-0.5V(57)		7



NO.	MATERIAL	FINISH	REMARKS	NO.	MATERIAL	FINISH	REMARKS
2	POLYAMIDE (PA6T)	WHITE BEIGE	UL94V-0	5	PS		BLACK (PLASTIC REEL)
1	PHOSPHER BRONZE	CONTACT AREA:GOLD PLATED 0.1µm min	LEAD AREA:GOLD PLATED 0.02µm min	4	POLYESTER		CLEAR (COVER TAPE)
				3	A-PET		CLEAR (EMBOSSSED CARRIER TAPE)

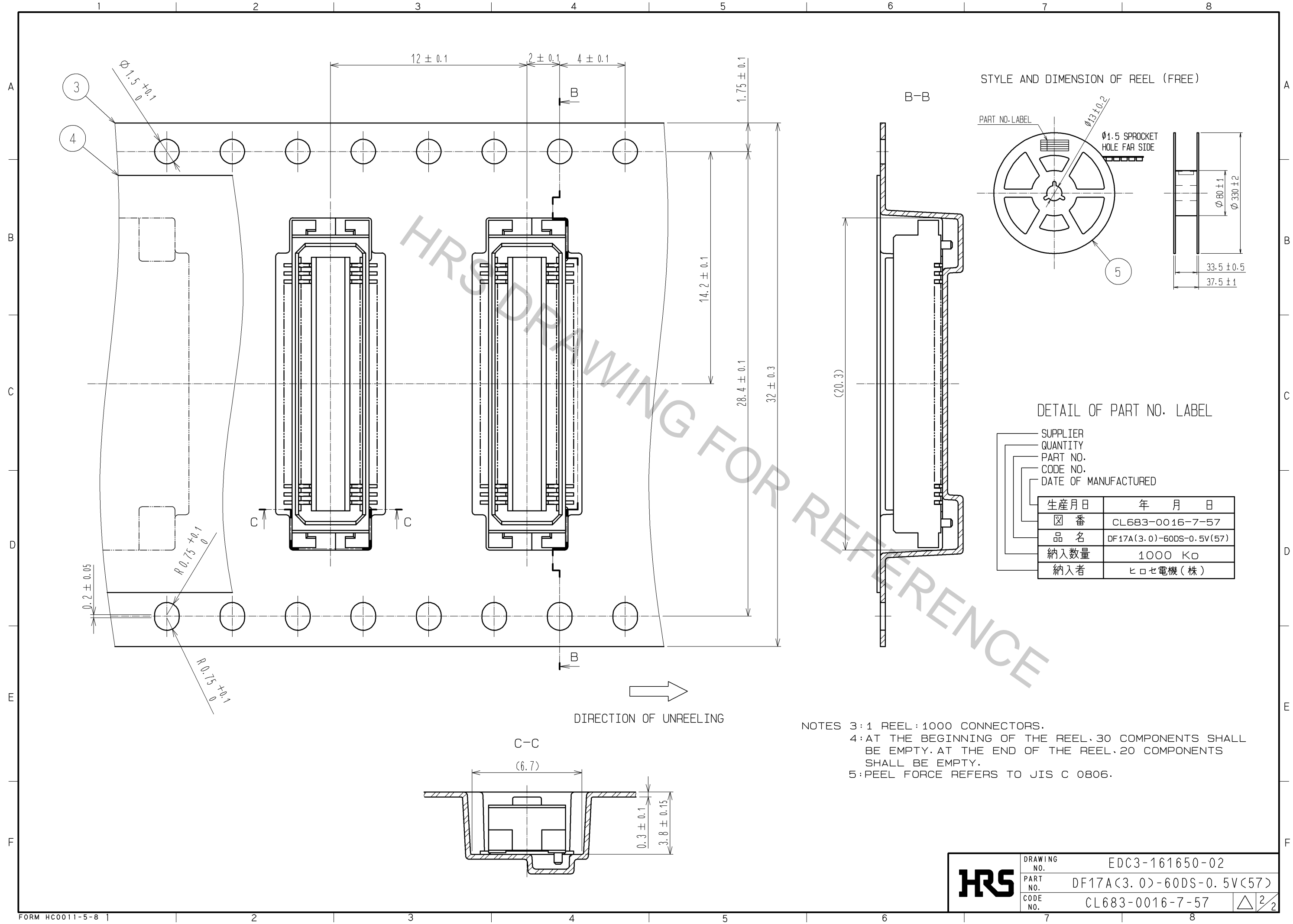
  

UNITS	SCALE	COUNT	DESCRIPTION OF REVISIONS	DESIGNED	CHECKED	DATE
mm	5 : 1	△				

APPROVED : KH. IKEDA	08.11.20	DRAWING NO.	EDC3-161650-02
CHECKED : TS. MIYAZAKI	08.11.20	PART NO.	DF17A(3.0)-60DS-0.5V(57)
DESIGNED : TY. YAMASAKI	08.11.19	CODE NO.	CL683-0016-7-57
DRAWN : TY. YAMASAKI	08.11.19		

Apr.1.2017 Copyright 2017 HIROSE ELECTRIC CO., LTD. All Rights Reserved.



DIRECTION OF UNREELING

NOTES 3:1 REEL:1000 CONNECTORS.  
 4:AT THE BEGINNING OF THE REEL,30 COMPONENTS SHALL BE EMPTY.AT THE END OF THE REEL,20 COMPONENTS SHALL BE EMPTY.  
 5:PEEL FORCE REFERS TO JIS C 0806.

<b>HRS</b>	DRAWING NO.	EDC3-161650-02	△ 2/2
	PART NO.	DF17A(3.0)-60DS-0.5V(57)	
	CODE NO.	CL683-0016-7-57	
	NO.		