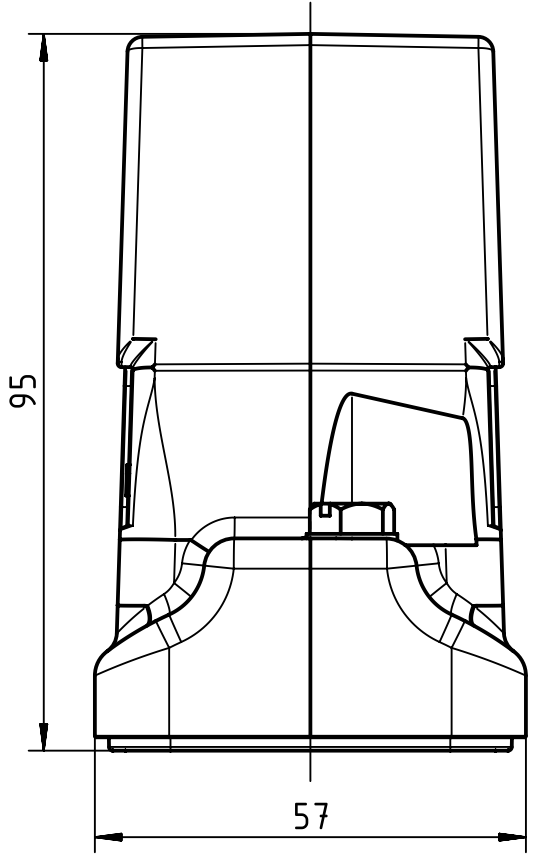
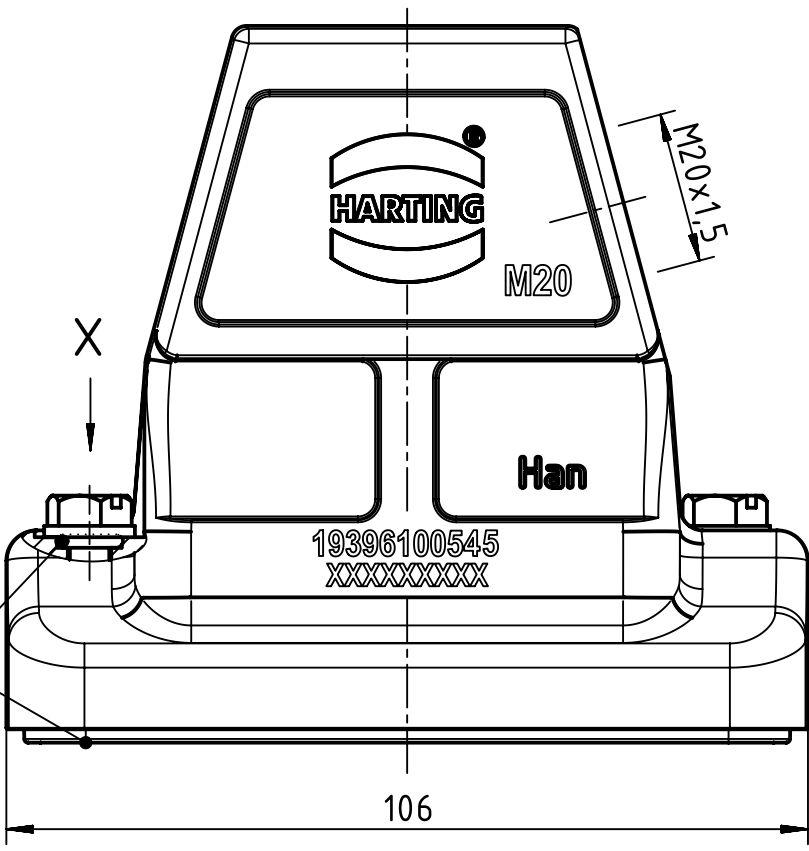
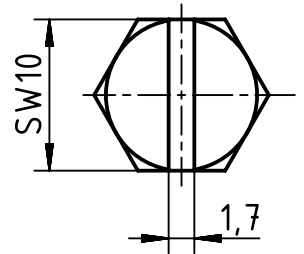
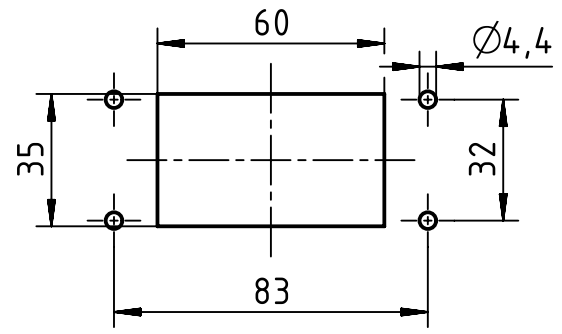



X (2:1)



Panel cut out (1:2)



	All Dimensions in mm Original Size DIN A4		Scale 1:1	Free size tol.		Ref.	
	All rights reserved Department EL PD - CN		Created by LONGL	Inspected by WENE	Standardisation SCHMIDTM	Date 2017-03-20	State Final Release
HARTING (Zhuhai) Manufacturing Co., Ltd. 519085 Zhuhai, China			Title Han 10HP Direct/B-HSE-M20			Doc-Key / ECM-Nr. 100663213/UGD/002/C 500000116960	
			Type TB	Number 19 39 610 0545		Rev. C	Page 1/1