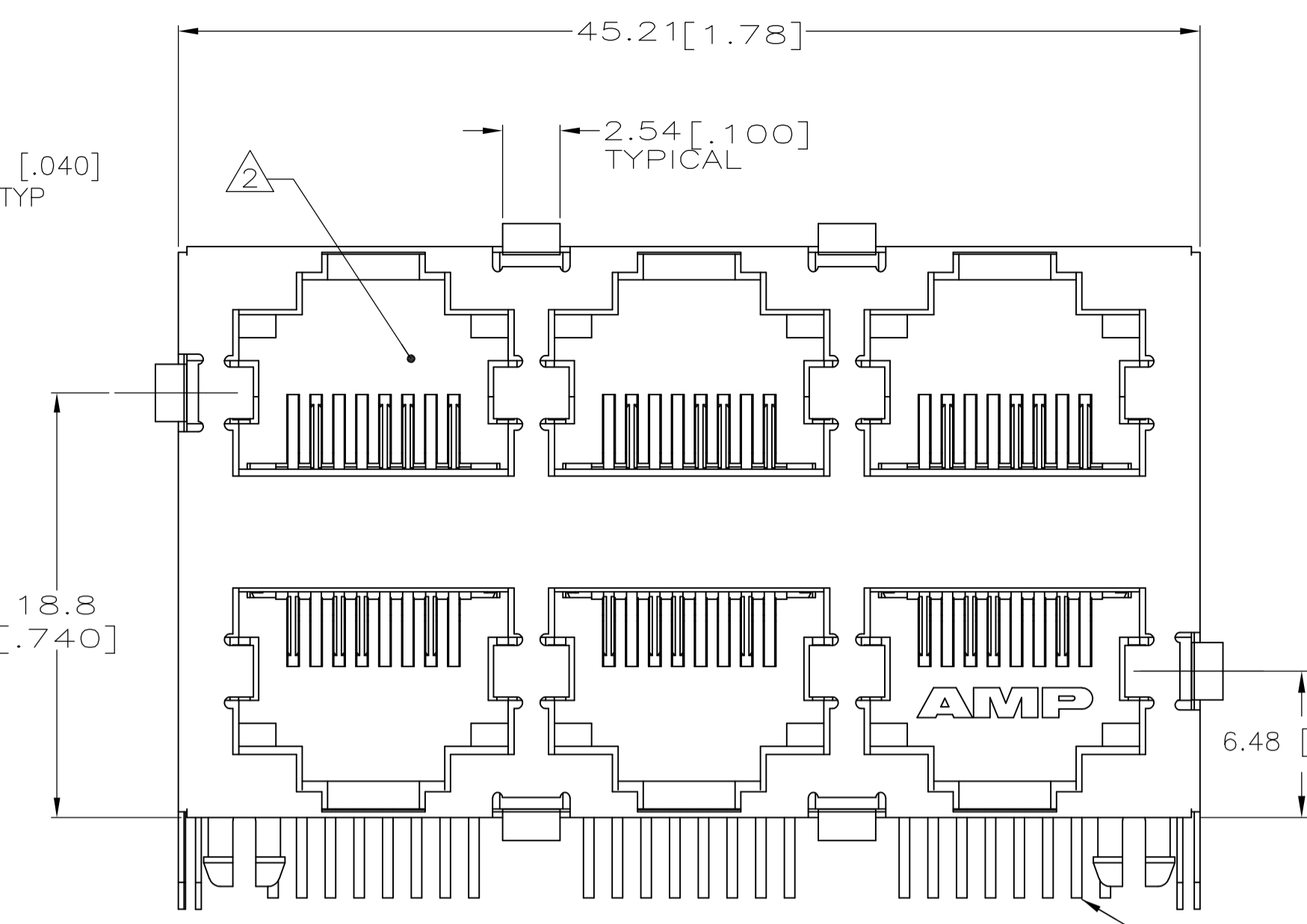
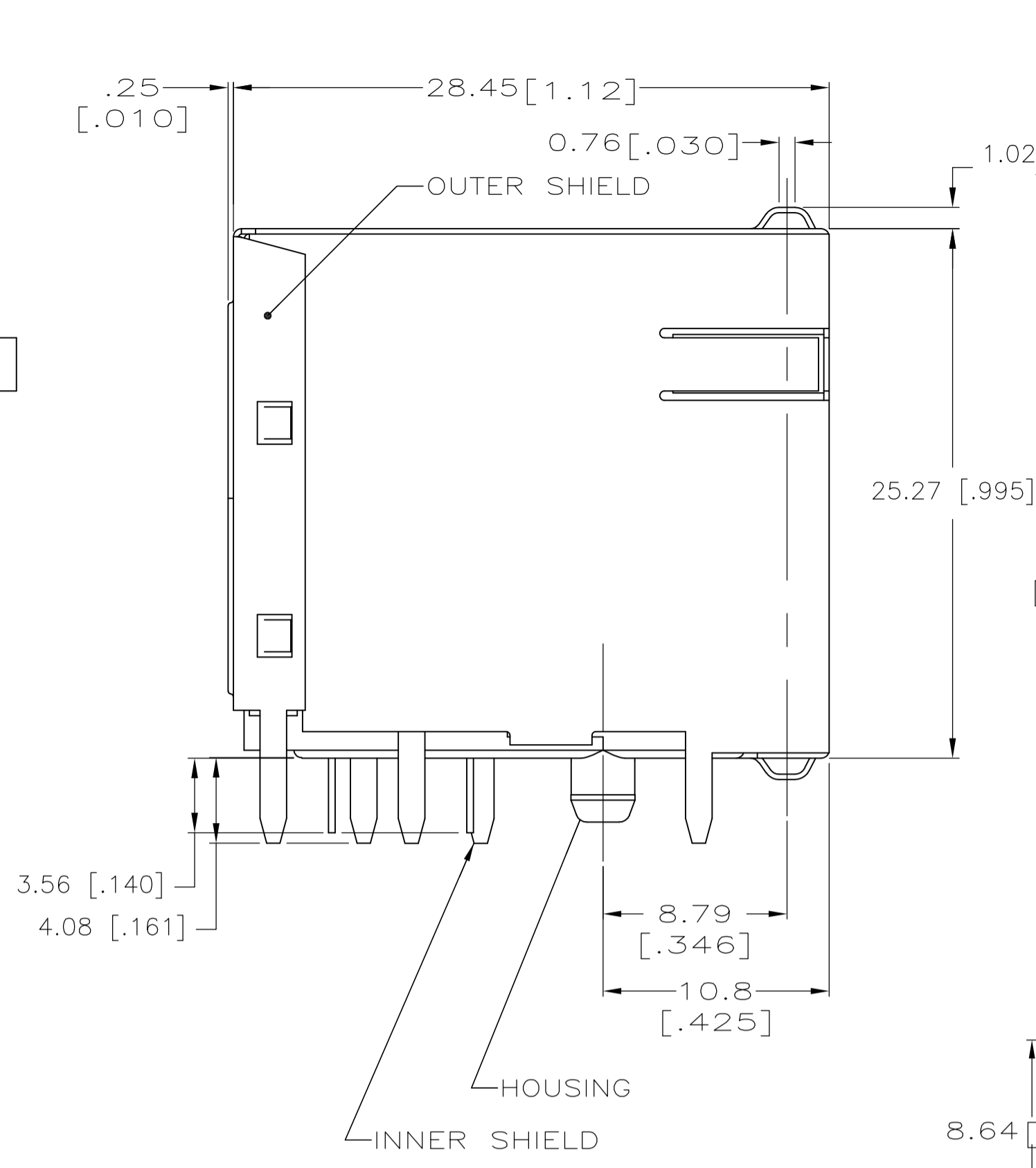
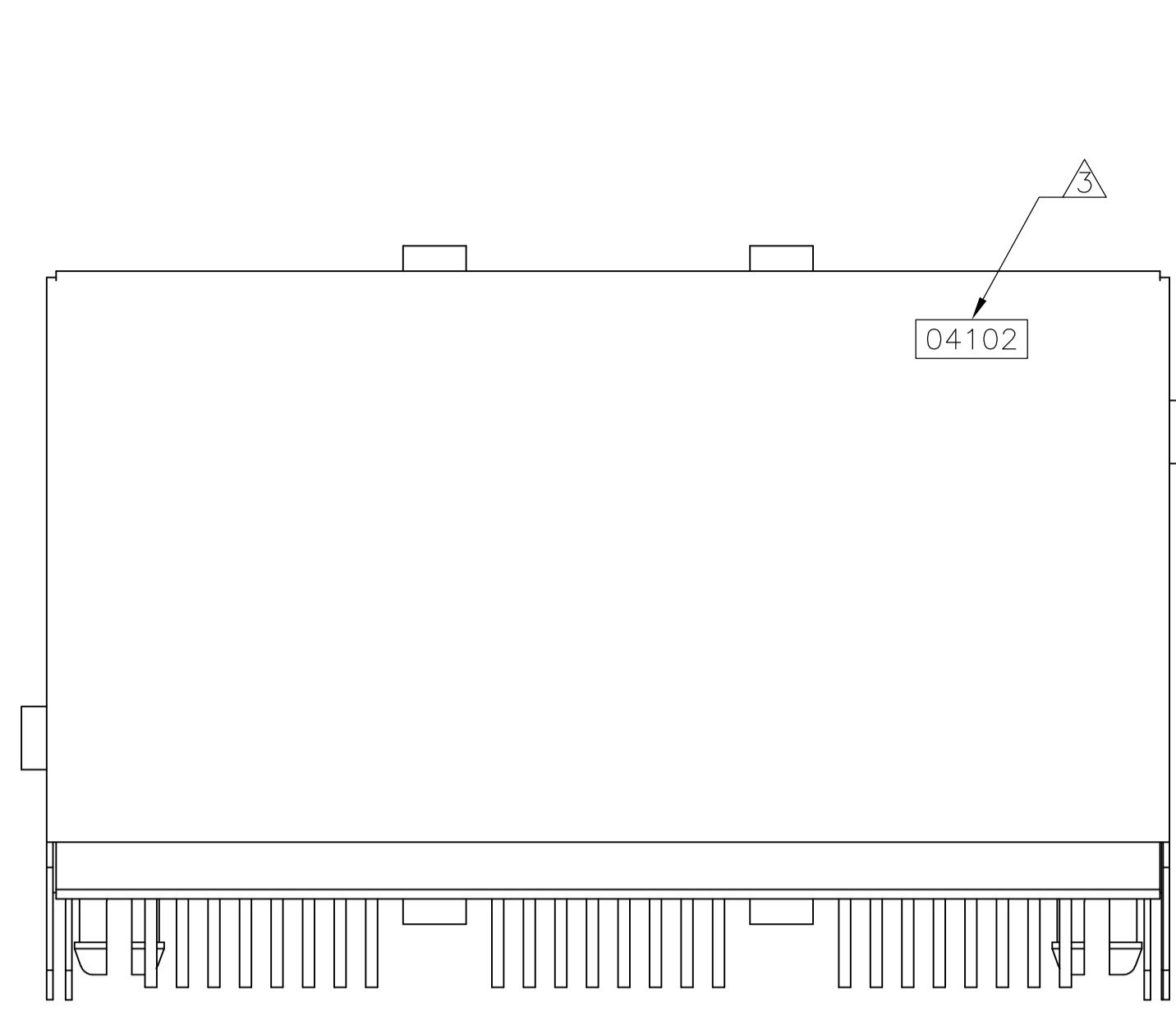


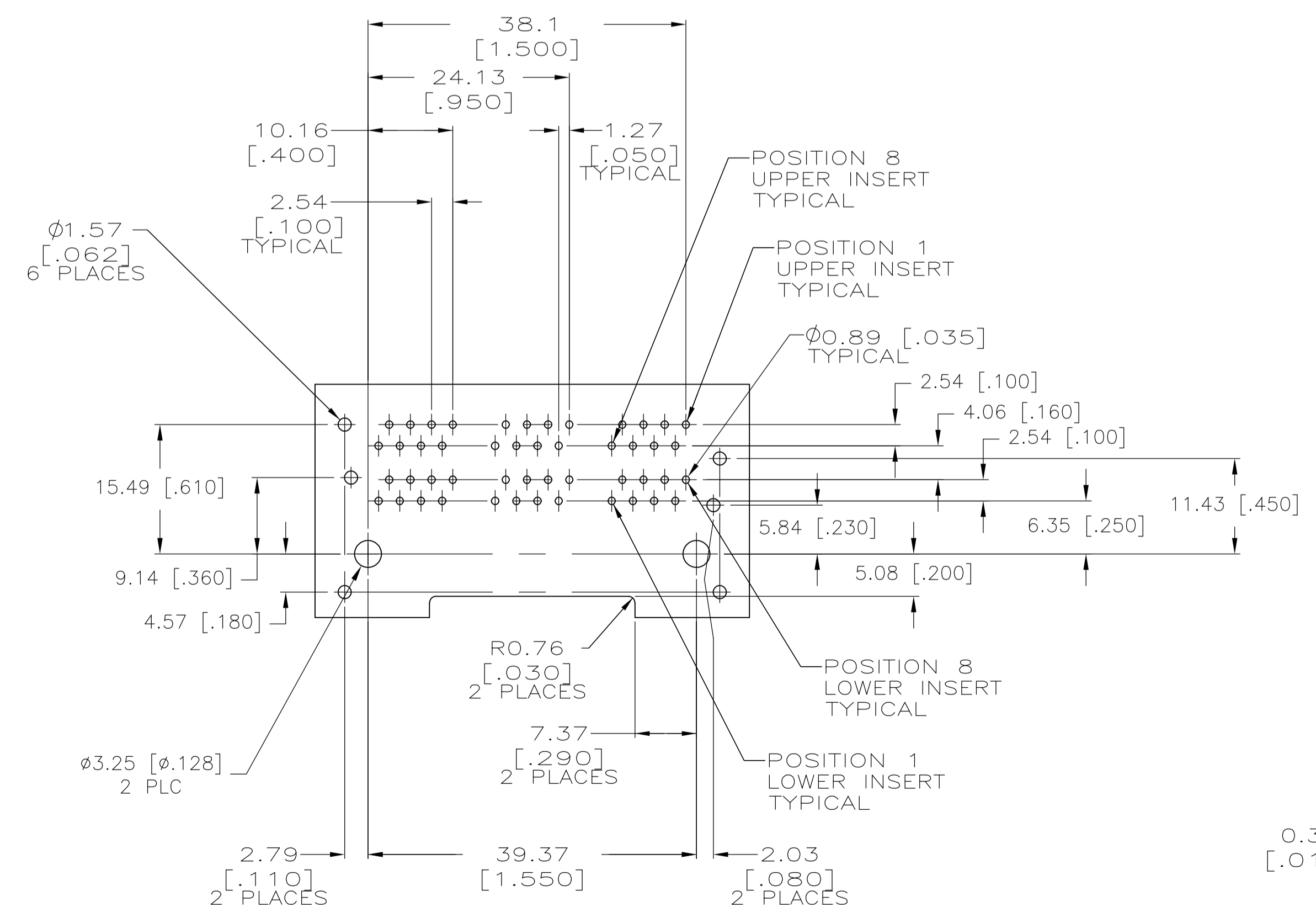
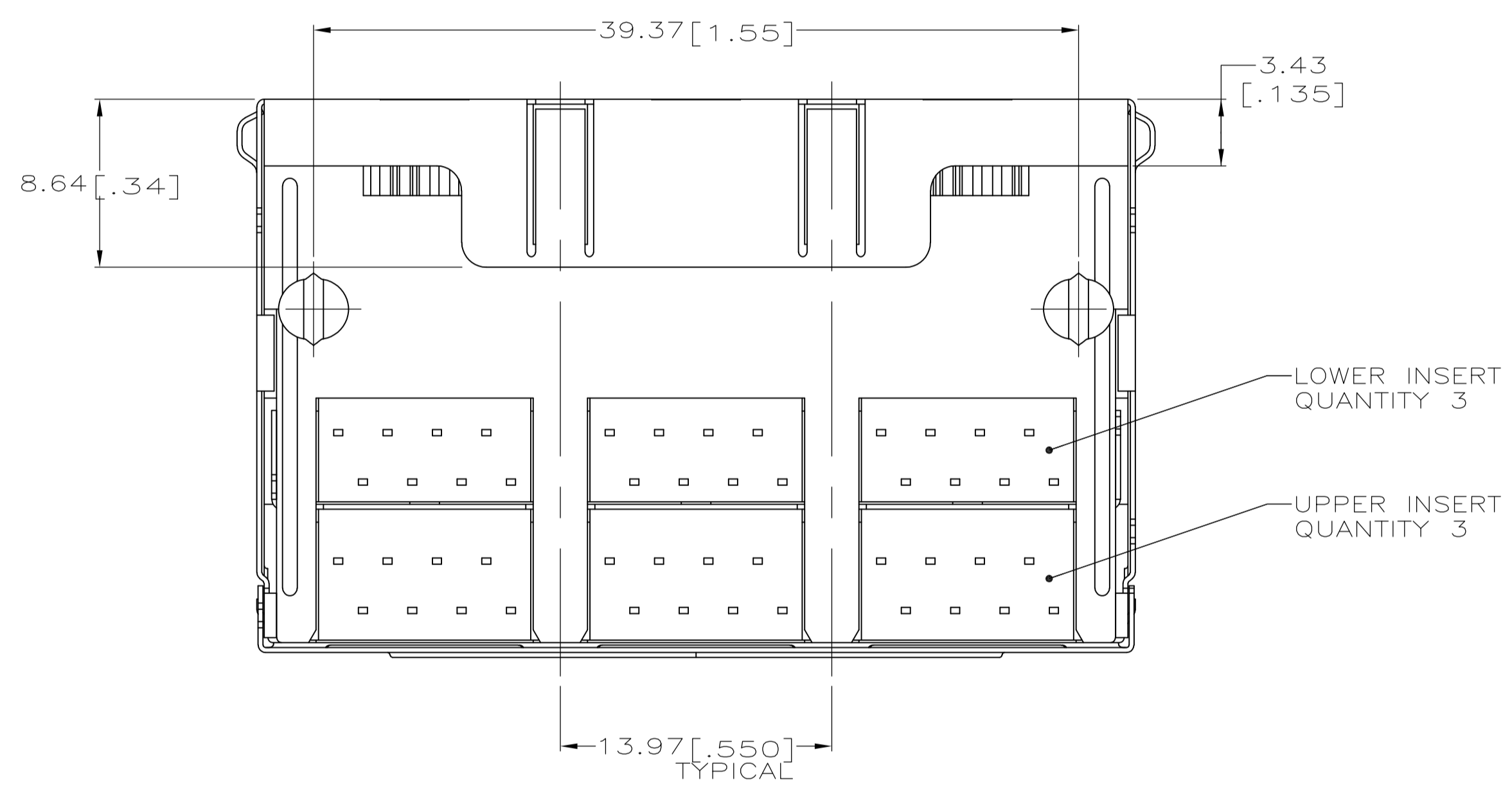
LOC		DIST		REVISIONS			
AA	22	F	LTR	DESCRIPTION	DATE	DWN	APVD
		D		REV PER ECO-06-027808	23JAN07	TK	JW



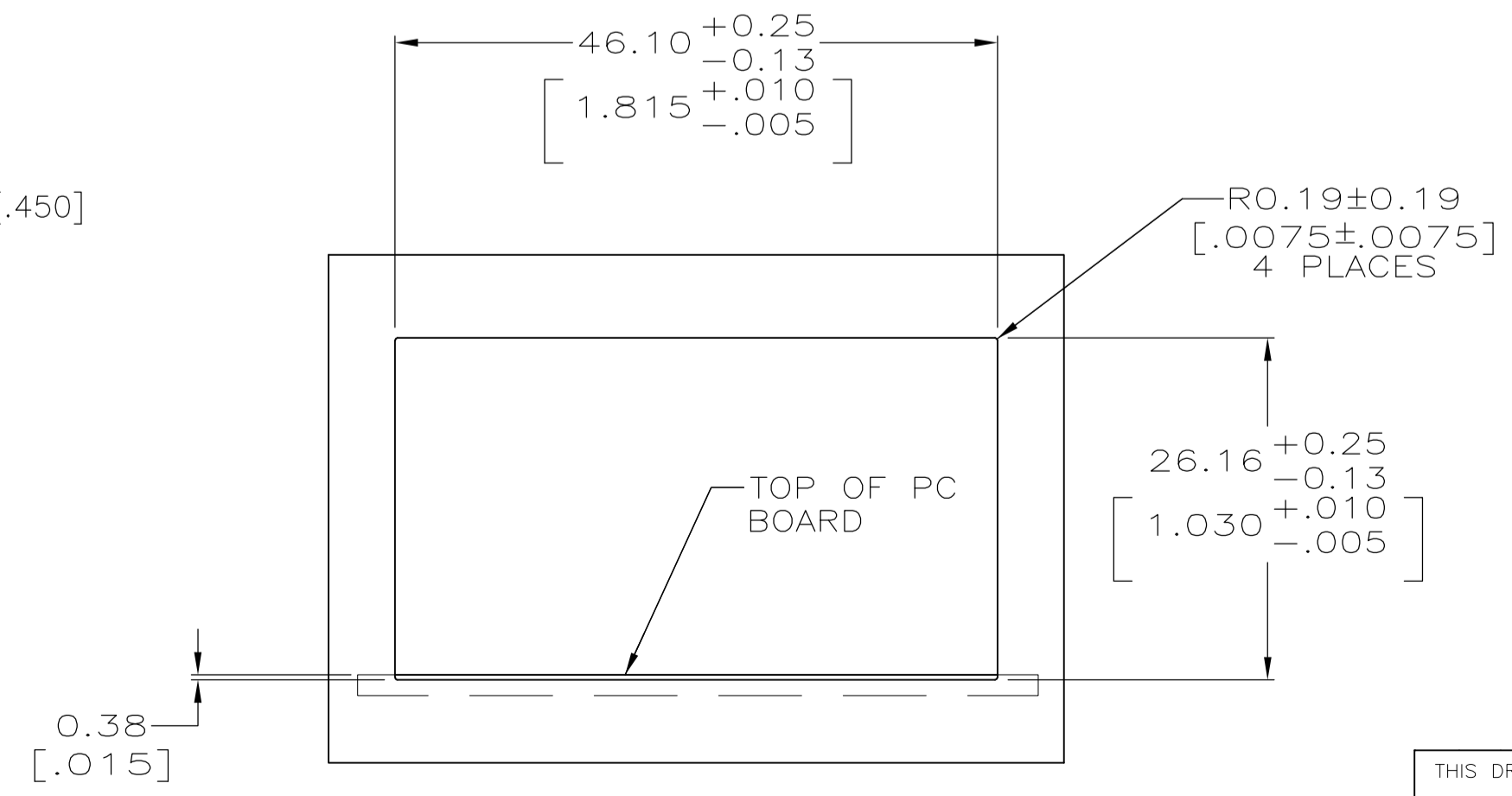
MATERIAL:
 HOUSING - PCT POLYESTER, BLACK, UL94V-0.
 OVERMOLDED TERMINAL ARRAY - PBT, BROWN.
 TERMINALS - 0.33 [.013] THICK PHOS BRONZE PLATED WITH 1.27µm [.000050] MIN THICK HARD GOLD IN LOCALIZED AREA AND 3.81µm [.000150] MIN THICK TIN-LEAD IN SOLDER AREA OVER 1.27µm [.000050] MIN THICK NICKEL UNDERPLATE.
 SHIELD - 0.25 [.010] THICK COPPER ALLOY PLATED WITH 2.03µm [.000080] MIN TIN OVER 1.27µm [.000050] MIN NICKEL.

JACK CAVITY CONFORMS TO FCC RULES AND REGULATIONS, PART 68 SUBPART F.

DATE CODE LOCATED ON REAR OF PART APPROXIMATELY AS SHOWN:
 FIRST 2 DIGITS ARE LAST 2 DIGITS OF YEAR, SECOND 2 DIGITS ARE MANUFACTURING WORK WEEK, LAST DIGIT IS DAY OF WEEK, WITH SUNDAY = 1.



PC BOARD LAYOUT VIEWED FROM COMPONENT SIDE
 SCALE 2:1



SUGGESTED PANEL CUTOUT DIMENSIONS
 SCALE 2:1

THIS DRAWING IS A CONTROLLED DOCUMENT.		DIN T. SPRINKLE 18MAR96		Tyco Electronics Corporation Harrisburg, Pa 17105-3608																				
DIMENSIONS: mm [INCHES]		CHK C. WHITT 20MAR96		APVD J. TONEY 20MAR96	NAME	108-1163-2																		
TOLERANCES UNLESS OTHERWISE SPECIFIED:		<table border="1"> <tr><td>0 PLC</td><td>±</td><td>-</td></tr> <tr><td>1 PLC</td><td>±</td><td>-</td></tr> <tr><td>2 PLC</td><td>±</td><td>0.25(.01)</td></tr> <tr><td>3 PLC</td><td>±</td><td>0.13(.005)</td></tr> <tr><td>4 PLC</td><td>±</td><td>-</td></tr> <tr><td>ANGLES</td><td>±</td><td>-</td></tr> </table>		0 PLC	±	-	1 PLC	±	-	2 PLC	±	0.25(.01)	3 PLC	±	0.13(.005)	4 PLC	±	-	ANGLES	±	-	PRODUCT SPEC	STACKED MODULAR JACK ASSEMBLY, 2x3 PORT, CAT 5, 8 POSITION, SHIELDED, PANEL GROUND	
0 PLC	±	-																						
1 PLC	±	-																						
2 PLC	±	0.25(.01)																						
3 PLC	±	0.13(.005)																						
4 PLC	±	-																						
ANGLES	±	-																						
MATERIAL		FINISH		APPLICATION SPEC	114-2048																			
WEIGHT		SIZE		SIZE	A1																			
CUSTOMER DRAWING		DRAWING NO		SCALE	4:1																			
		SHEET		REV	D																			