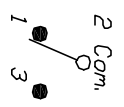


RECOMMENDED P.C.B LAYOUT
SCALE: 2X

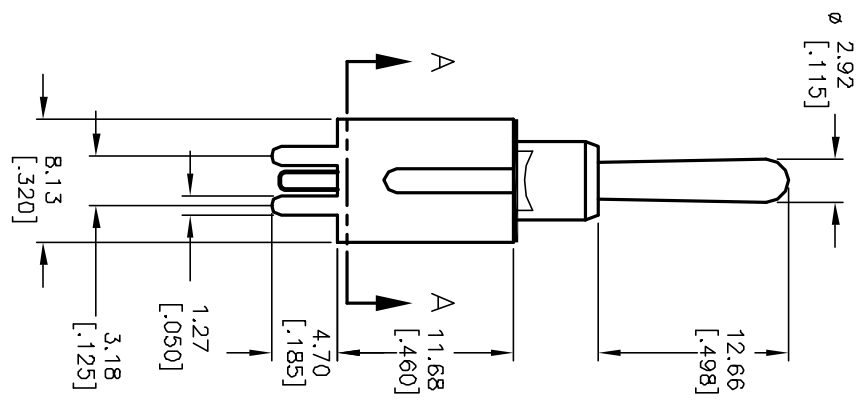
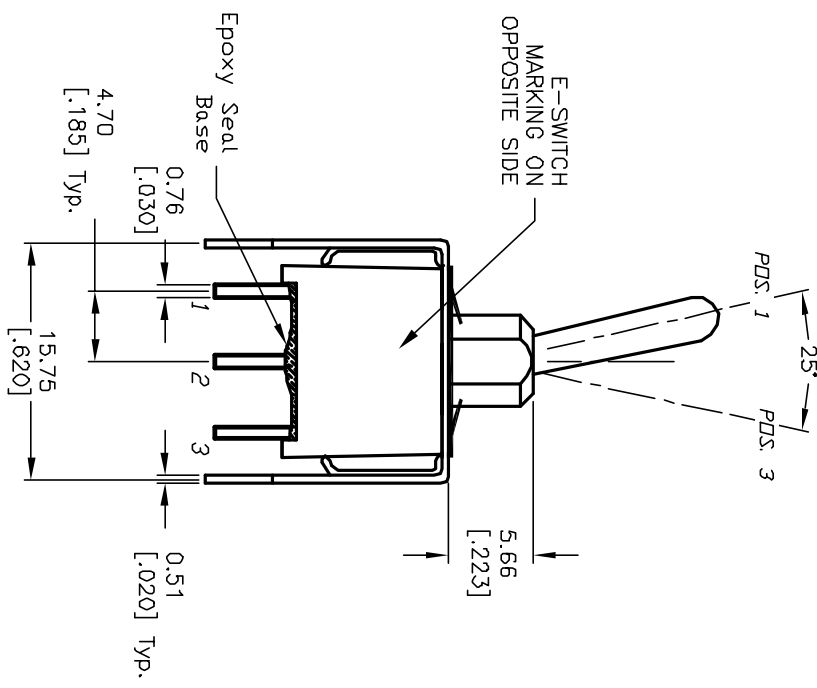


SPDT CIRCUIT
CONTACT CONFIGURATION

SWITCH FUNCTION		
POS. 1	POS. 2	POS. 3
DN	NONE	DN
2-3	OPEN	2-1

NOTES:

1. ALL DIMENSIONS IN MM
2. GENERAL TOLERANCE: X.X=±0.4
X.XX=±0.25
3. TERMINAL NUMBERS FOR REF ONLY
4. RATING: 5A @120VAC OR 28VDC
2A @250VAC
5. FIXED TERM. & MOVING CONTACT: Cu Alloy w/Silver Plate
6. ELECTRIC LIFE: 50,000 make-and-break cycles
dt full load.
7. INSULATION RESISTANCE: 1,000 Mega-ohm min.
8. DIELECTRIC STRENGTH: 1,000 V RMS @sea level.
9. OPERATING TEMP.: -30°C to 85°C



E-SWITCH®

REV. A	11855	RELEASED FOR PRODUCTION	11/28/01	CB	TITLE	100A WSP-1 T1 B4 V52 Q E	SCALE	2:1	DATE	11/28/01	DR	CB	DWG	T101031	REV	A
<p>THE INFORMATION CONTAINED IN THIS DOCUMENT IS PROPRIETARY TO E-SWITCH AND IS NOT TO BE COPIED OR TRANSMITTED</p>																