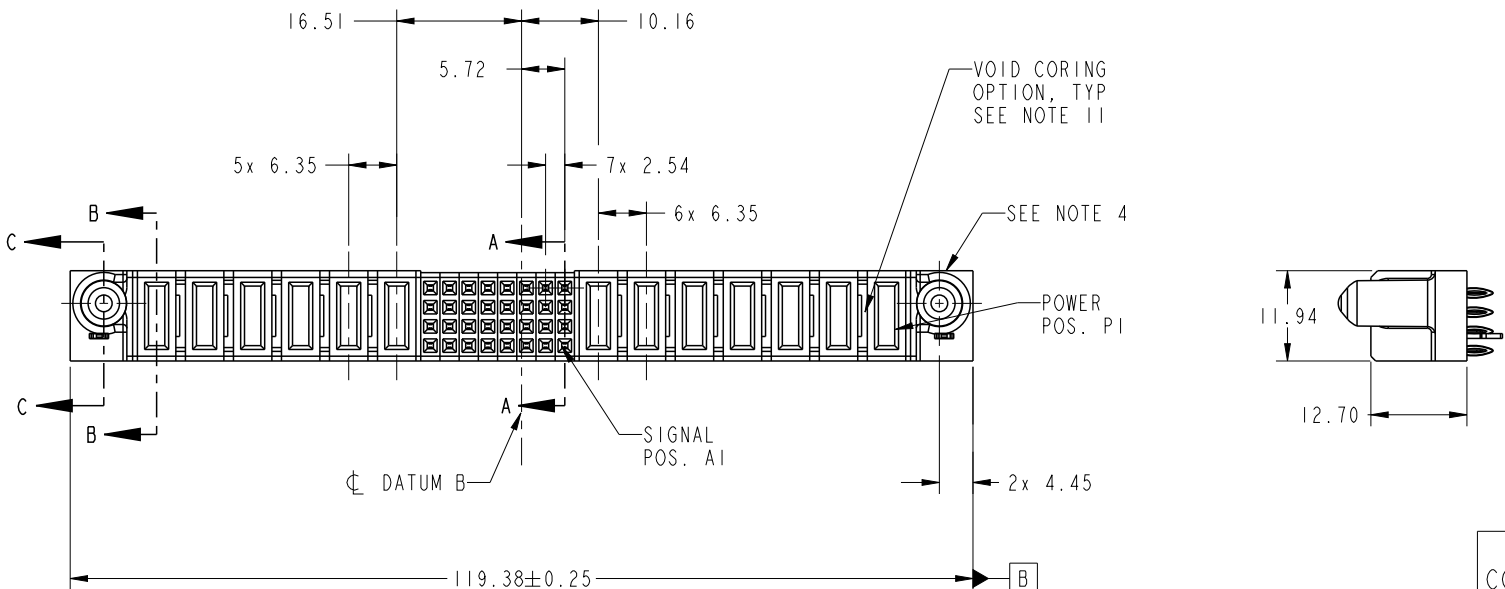


PRODUCT NO. 51940-522-- NOTE: 3	ROWS D C B A	POWER					SIGNAL							POWER							E1
		E2	P13	P12	P11	P10	P9	P8	7	6	5	4	3	2	1	P7	P6	P5	P4	P3	



CODE	DIM "M" MATING LENGTH	CONTACT TYPE
PC	[1.07]	POWER
PF	[2.34]	POWER
F	[N/A]	SIGNAL
HA	[N/A]	HOLD-DOWN

spec ref	*	dr	Ruan MT	2014/02/05	projection	MM	size	A4	scale	1:1													
tolerance std	TOLERANCES UNLESS OTHERWISE SPECIFIED	eng	Ruan MT	2014/02/14			ecn no	-															
SEE NOTE		chr	-	-	product family			PwrBlade	rel level	Released													
surface	<table border="1"> <tr> <td>linear</td> <td>0.X</td> <td>±0.5</td> </tr> <tr> <td></td> <td>0.XX</td> <td>±0.25</td> </tr> <tr> <td></td> <td>0.XXX</td> <td>±0.1</td> </tr> <tr> <td>angular</td> <td>0°</td> <td>±2°</td> </tr> </table>	linear	0.X	±0.5		0.XX	±0.25		0.XXX	±0.1	angular	0°	±2°	appr	Pei-Ming Zheng	2014/02/14	www.fci.com	title	7P + 32S + 6P VERTICAL PRESS FIT RECEPT	cat. no.	*	Product - Customer Drw	sheet 1 of 4
linear	0.X	±0.5																					
	0.XX	±0.25																					
	0.XXX	±0.1																					
angular	0°	±2°																					
						dwg no	51940-522	rev	A														

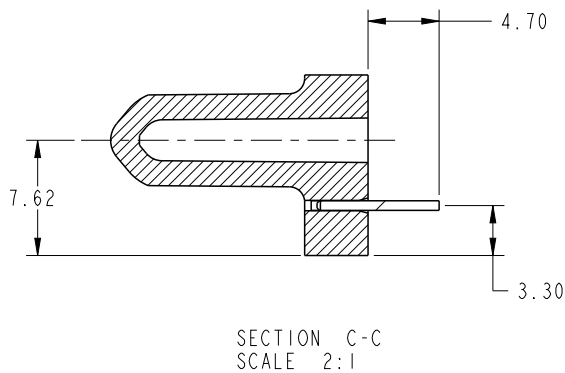
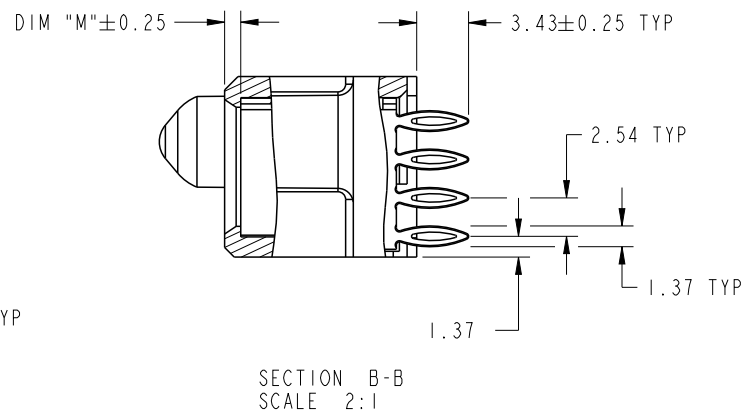
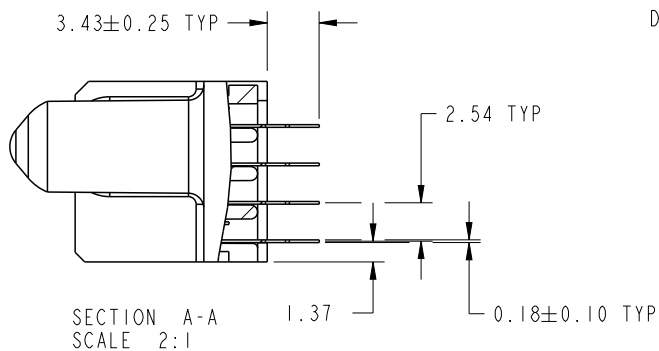


Copyright FCI.

Prod File - REV C - 2009-06-09

PRODUCT NUMBER

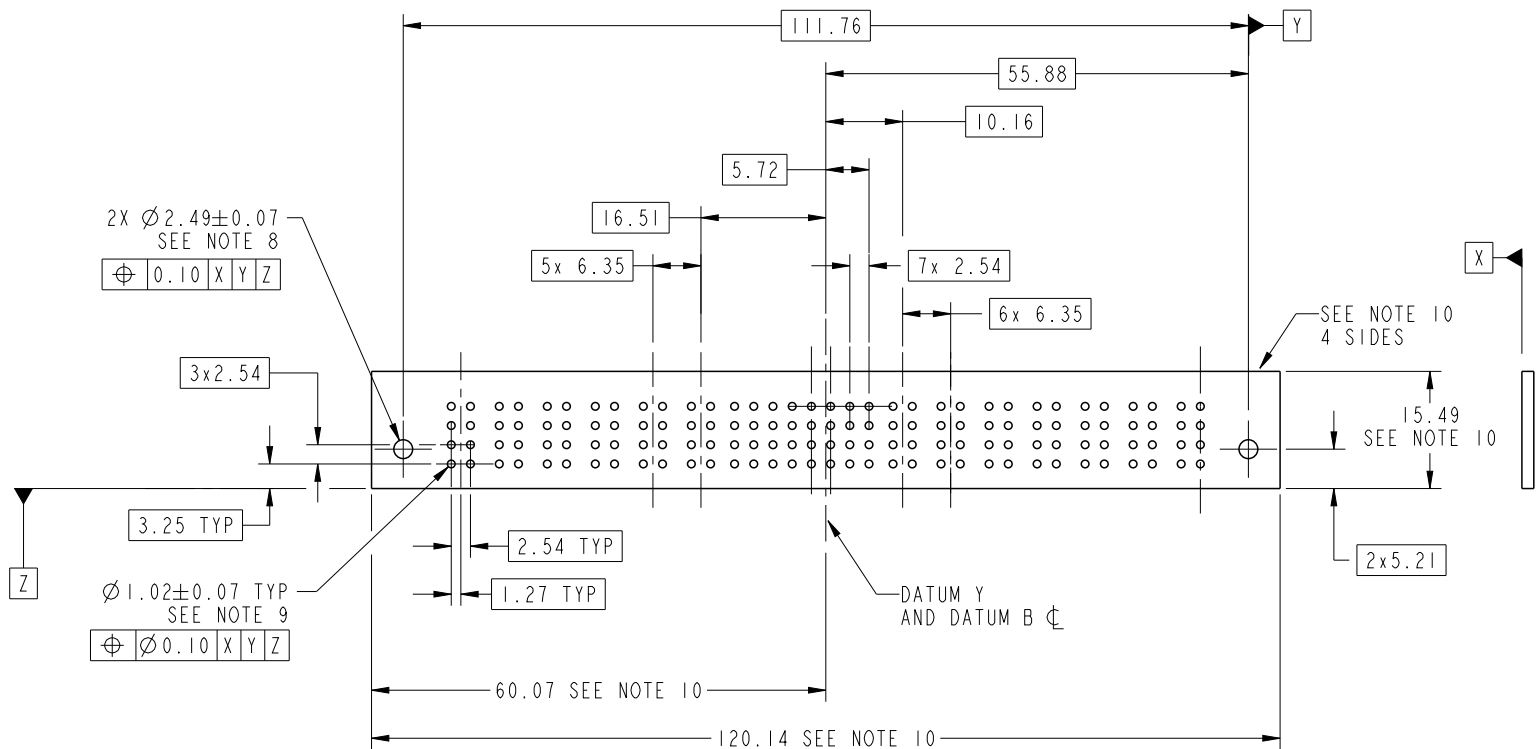
51940-522__
NOTE: 3



dr	Ruan MT	2014/02/05	projection 	MM 	size	A4	scale	1:1
eng	Ruan MT	2014/02/14			ecn no	-		
chr	-	-			rel level	Released		
appr	Pei-Ming Zheng	2014/02/14	product family	PwrBlade	rev	A		
		title 7P + 32S + 6P VERTICAL PRESS FIT RECEIPT	dwg no 51940-522	cat. no. *	Product - Customer Drw	sheet 2 of 4		

PRODUCT NUMBER

51940-522__
NOTE: 3



RECOMMENDED PCB LAYOUT

dr	Ruan MT	2014/02/05	projection 	MM 	size	A4	scale	1:1		
eng	Ruan MT	2014/02/14			ecn no	-				
chr	-	-			rel level	Released				
appr	Pei-Ming Zheng	2014/02/14	product family	PwrBlade						
		title		7P + 32S + 6P		dwg no		51940-522	rev	A
www.fci.com		cat. no.		*		Product - Customer Drw		sheet 3 of 4		

PRODUCT NUMBER

51940-522__
NOTE: 3

NOTES:

1. DIMENSIONS AND TOLERANCES ARE IN ACCORDANCE WITH ASME Y14.5M, 1994 UNLESS OTHERWISE SPECIFIED.

CONNECTOR NOTES:

- 2 HOUSING MATERIAL: UL 94 V-0 GLASS FILLED HIGH-TEMP THERMOPLASTIC
POWER CONTACT MATERIAL: COPPER ALLOY
SIGNAL PIN MATERIAL: COPPER ALLOY
- 3. SEE ITEM 7 & 8 IN PRINT 10064183 FOR PLATING SPEC OF 51940-522 AND 51940-522LF RESPECTIVELY.
- 4 MANUFACTURER'S NAME, DATE CODE AND OPTIONAL P/N TO APPEAR ON THIS SURFACE. THE MARK CAN BE OMITTED IF THERE IS NOT ENOUGH SPACE ON THIS SURFACE.
- 5. PRODUCT SPECIFICATION GS-12-149.
APPLICATION SPECIFICATION BUS-20-067.
- 6. PACKAGED IN TRAYS.
- PCB NOTES:
- 7. ALL HOLE DIAMETERS ARE FINISHED HOLE SIZE.
- 8 MOUNTING HOLES, WHERE APPLICABLE, ARE UNPLATED.
- 9 $\varnothing 1.151 \pm 0.025$ DRILLED HOLES PLATED WITH
0.008 MIN SnPb OR Sn OVER 0.03
TO 0.08 Cu PLATING TO ACHIEVE
 $\varnothing 1.02 \pm 0.07$ HOLE.
- 10 CONNECTOR KEEP-OUT ZONE.
- 11. THE VOID CORING IN BETWEEN POWER MODULES, SIGNAL MODULES AND END MODULES ARE OPTIONAL AND THE SHAPE MAY BE DIFFERENT FOR OPTIMIZE THE MOLDING PROCESS. THE VOID CORING WILL NOT EFFECT TO PRODUCT FUNCTION.



Copyright FCI.

dr	Ruan MT	2014/02/05	projection 	MM 	size	A4	scale	1:1
eng	Ruan MT	2014/02/14			ecn no	-		
chr	-	-			product family	PwrBlade	rel level	Released
appr	Pei-Ming Zheng	2014/02/14			title 7P + 32S + 6P VERTICAL PRESS FIT RECEPT	dwg no 51940-522	rev A	
www.fci.com		cat. no.	*	Product - Customer Drw		sheet 4 of 4		