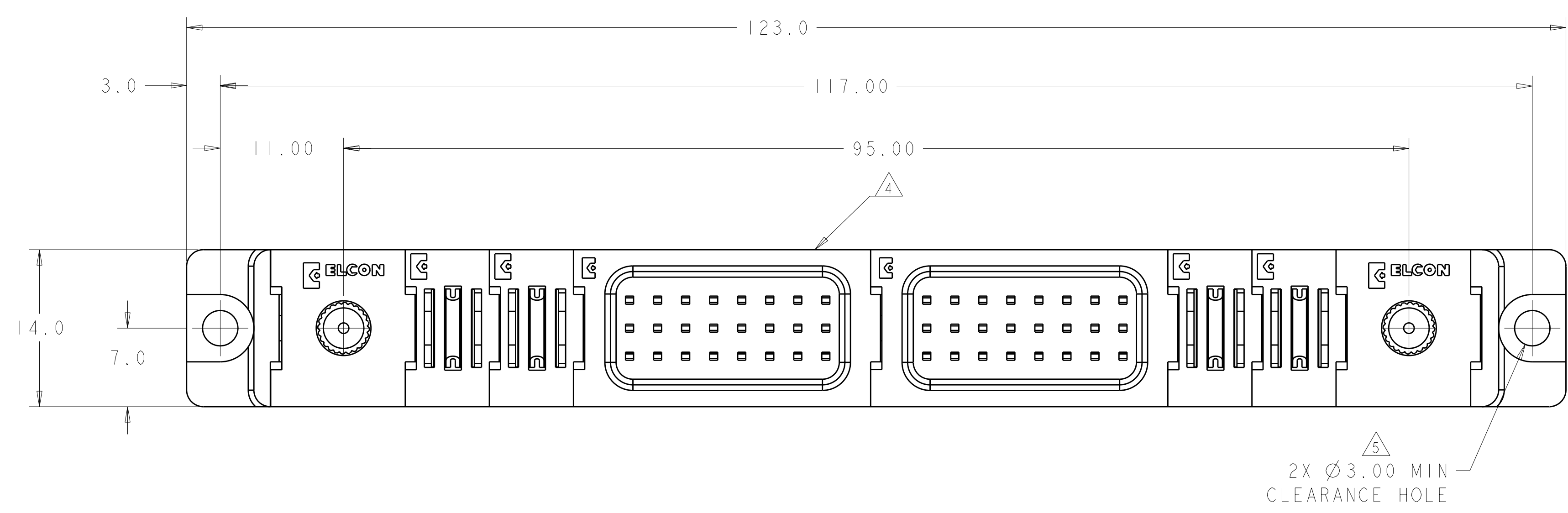


LOC	DIST	REVISIONS			
GP	00	REV	DATE	DWN	APVD
		A	RELEASED PER ECO-09-021027	14SEP2009	RG MS



1. PART NUMBER CHANGES AND OR DESIGN CHANGES AFFECTING ITEM INTERCHANGEABILITY REQUIRE PRIOR TYCO APPROVAL AND AUTHORIZATION BY REVISION TO THIS DRAWING.

2 MATERIAL:  
 INSULATORS - THERMOPLASTIC, GLASS REINFORCED, COLOR: BLACK  
 UL94V-0 FLAMMABILITY RATED.  
 POWER CONTACTS - PHOSPHOR BRONZE ALLOY, COPPER ALLOY  
 CROWN BAND - BERYLLIUM COPPER ALLOY  
 SIGNAL CONTACTS - BERYLLIUM COPPER ALLOY  
 GUIDE PIN - BRASS ALLOY

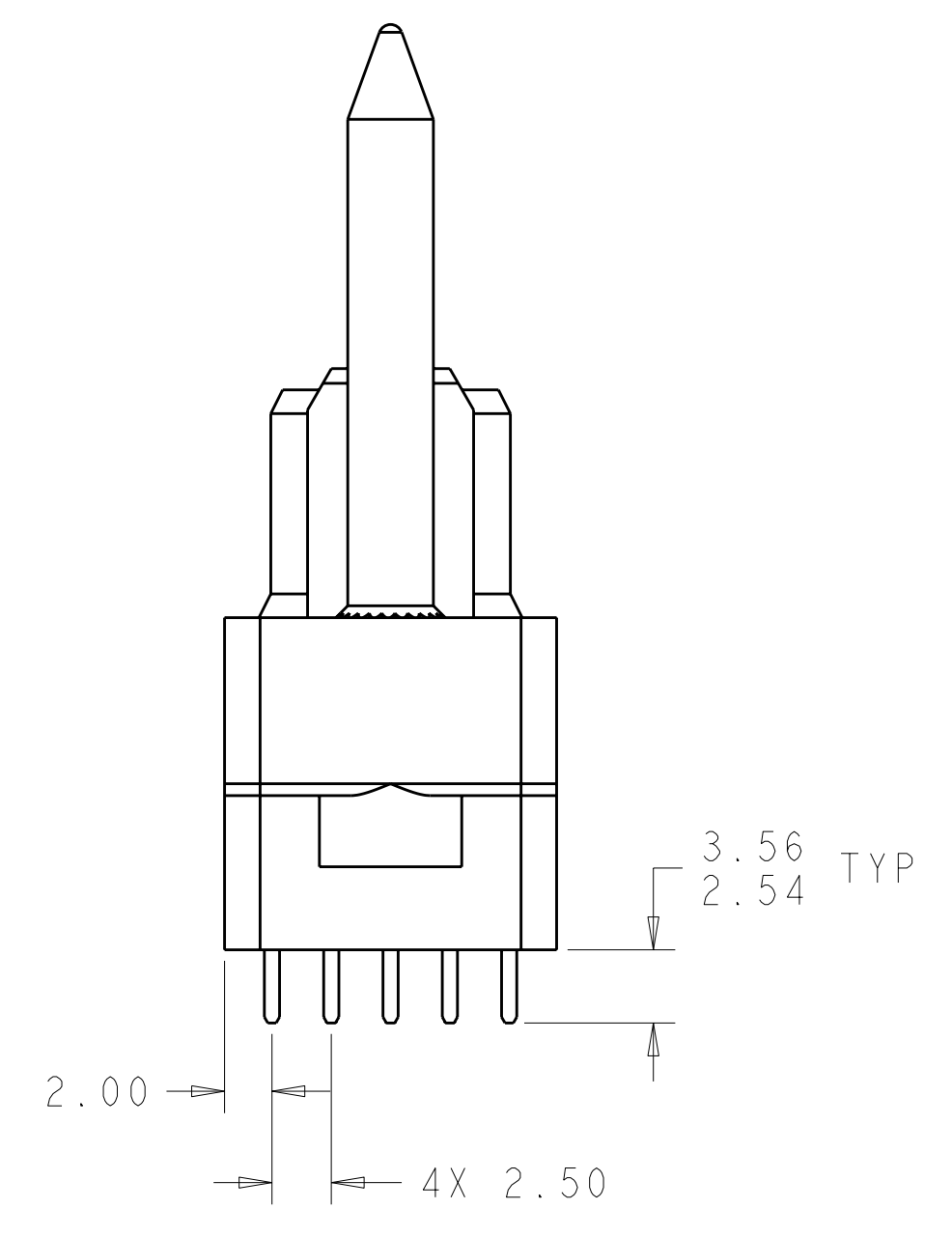
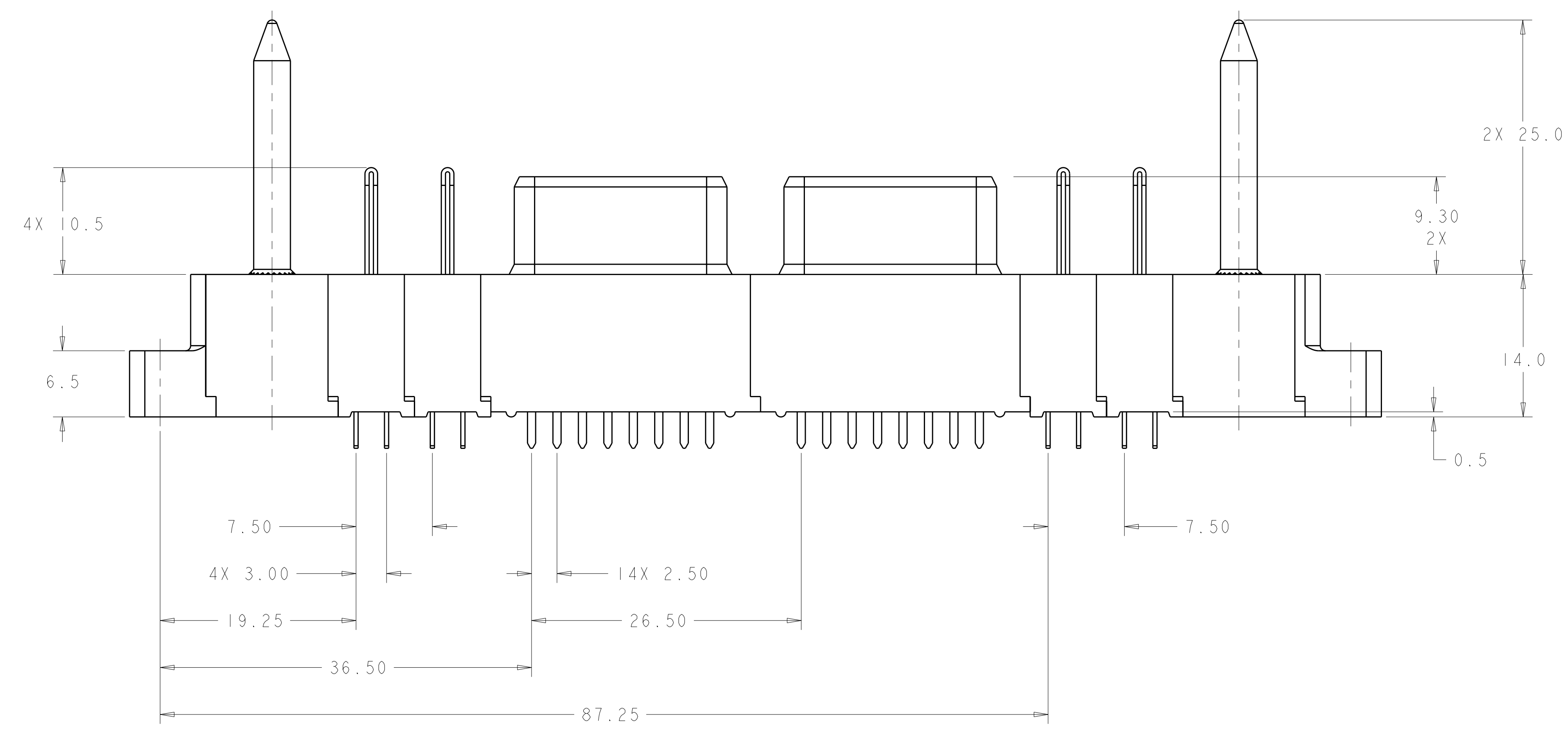
3 FINISH:  
 CONTACTS - GOLD PLATE .76µm MIN. THK., OVER NICKEL  
 1.27µm MIN. THK.  
 SOLDER TAILS- TIN 3.05 MIN. THK. OVER NICKEL 1.27µm MIN THK.  
 GUIDE PIN - NICKEL PLATE 1.27µm MIN THK.

4 ITEMS PROVIDED TO THIS SPECIFICATION TO BE PERMANENTLY IDENTIFIED PER THE FOLLOWING IDENTIFIER LABEL

YEAR WEEK  
 TYCO ELECTRONICS PART NO. DATE CODE (e.g. 0106)  
 XXXXXXX-X XXXX

5 MOUNTING FLANGES ACCEPT #6 SCREWS. (USER SUPPLIED)

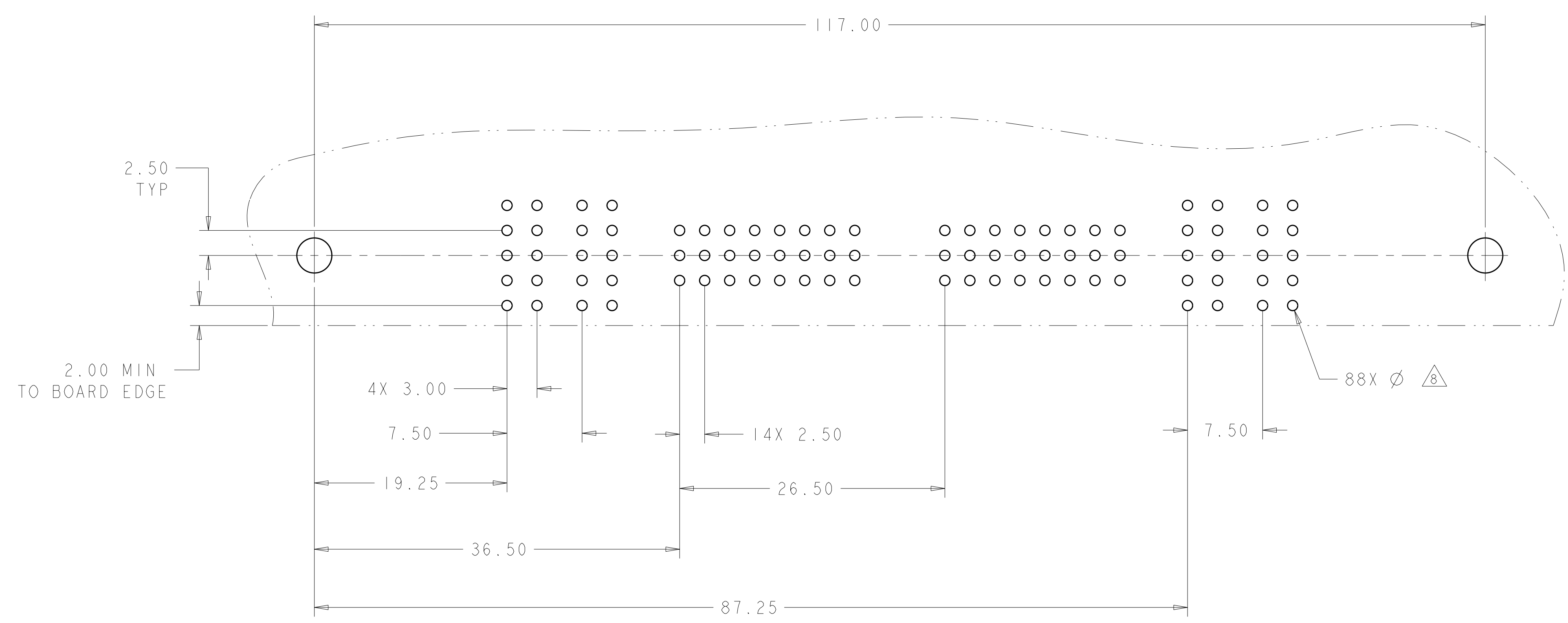
6. CONNECTOR MATES WITH PN 2085238-1



ELCON FLATPAQ

AS SHOWN		2085239-1	
DESCRIPTION		PART NUMBER	
DIMENSIONS: mm 9 PLC ±.5 1 PLC ±0.5 5 PLC ±0.25 4 PLC ±. ANGLES ±. FINISH 3		DWN R. GRZYBOWSKI 20APRIL09 CHK R. LONDON 20APRIL09 APVD M. PERCHERIE 20APRIL09 PRODUCT SPEC APPLICATION SPEC WEIGHT CUSTOMER DRAWING	
Tyco Electronics Harrisburg, PA 17105-3608		NAME SOCKET CONNECTOR STRAIGHT, SOLDER TAILS FLATPAQ	
SIZE CAGE CODE DRAWING NO A100779C=2085239		RESTRICTED TO SCALE 3:1 SHEET 1 OF 3 REV A	

LOC	DIST	REV	DATE	BY	APPD
GP	00				
REVISIONS					
		1	SEE SHEET 1		



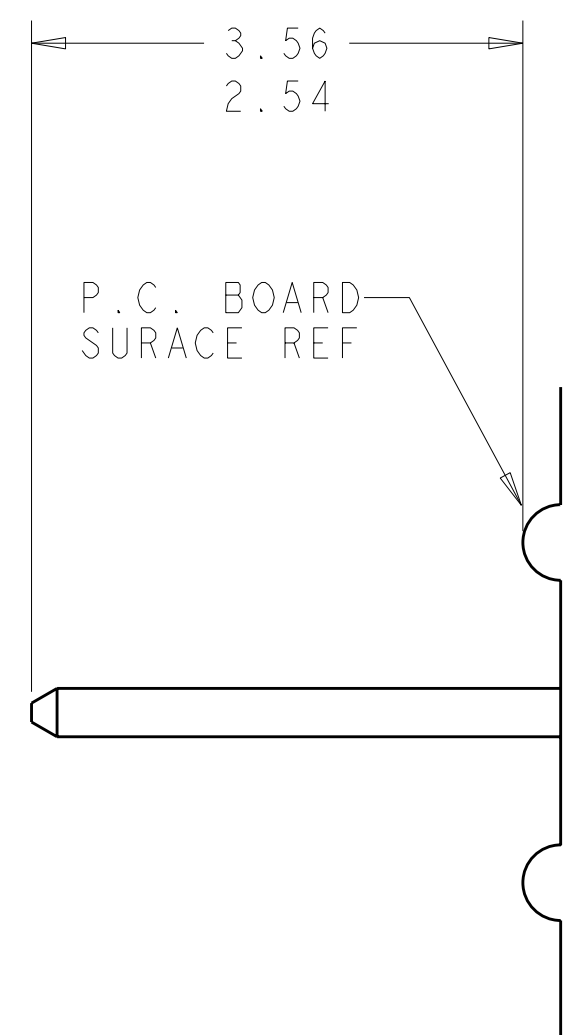
PRINTED CIRCUIT LAYOUT  
 COMPONENT SIDE

CONNECTOR	CATALOG MODULE #	QTY	SIZE NO.	CONTACT QTY	MATING PIN	MAX. CURRENT (PER CONTACT)	CONTACT SPACING	VOLTAGE RATING
SOCKET	FP318	2	22	48	.64 SQ.	3 amps	2.50	125 VOLTS
	FPI61	4	8	4	1.25 X 7.00.	35 amps	7.50	250 VOLTS
	FP503	1	STRAIGHT GUIDE PIN					
	FP500	1	MOUNTING FLANGE, LEFT					
	FP501	1	MOUNTING FLANGE, RIGHT					

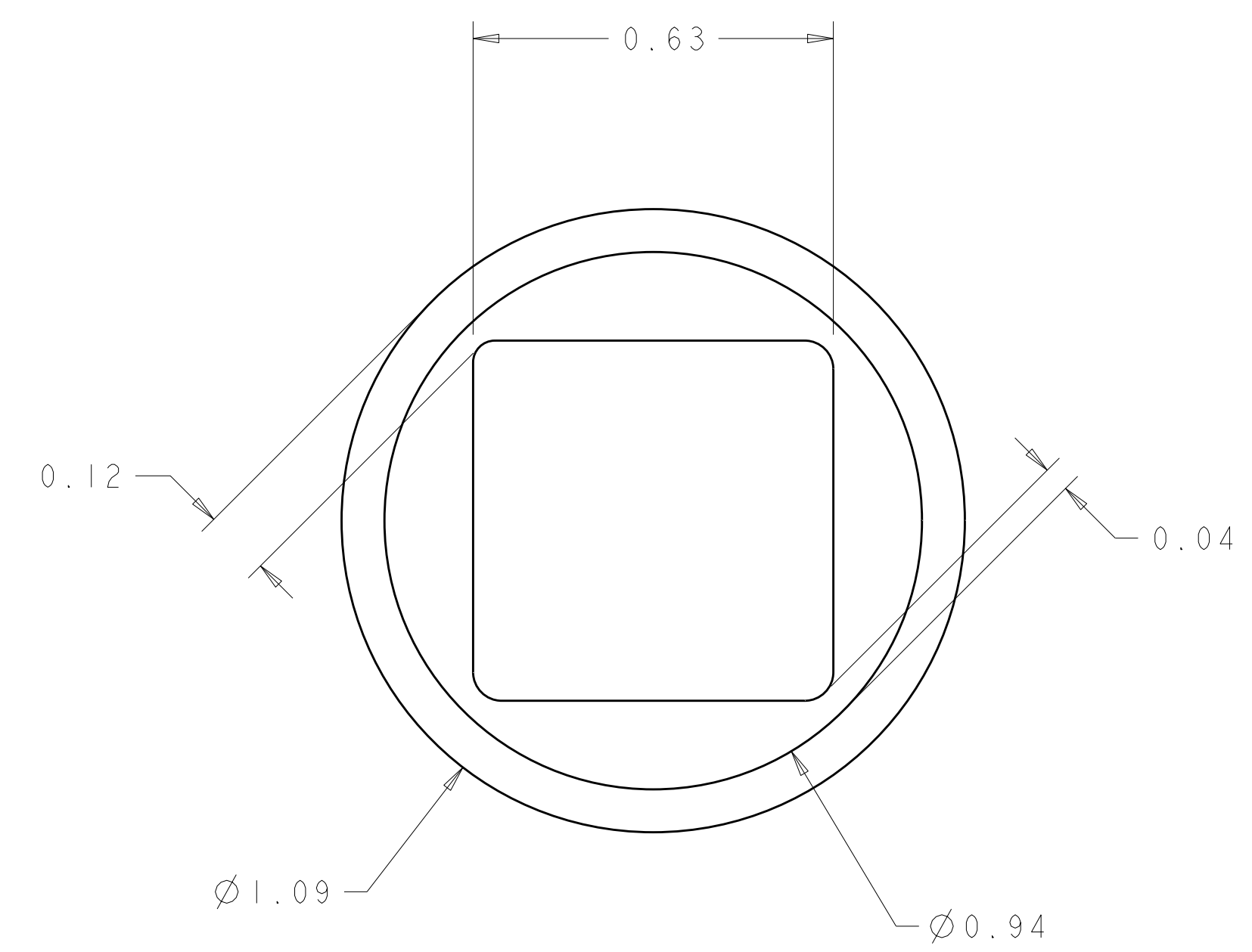
ELCON FLATPAQ

DIMENSIONS: mm 		TOLERANCES UNLESS OTHERWISE SPECIFIED: 9 PLC ± 1 PLC ±0.5 3 PLC ±0.25 5 PLC ± 4 PLC ± ANGLES ± FINISH ±.3		DWN R. GRZYBOWSKI 20APRIL09 CHK R. LONDON 20APRIL09 APVD M. PERCHERIE 20APRIL09 PRODUCT SPEC APPLICATION SPEC WEIGHT CUSTOMER DRAWING		Tyco Electronics Harrisburg, PA 17105-3608 NAME SOCKET CONNECTOR STRAIGHT, SOLDER TAILS FLATPAQ SIZE CAGE CODE DRAWING NO. RESTRICTED TO A100779C-2085239 SCALE 3:1 SHEET 2 OF 3 REV A	
-----------------------	--	--	--	---	--	--	--

LOC	DIST	REVISIONS			
REV	DATE	DESCRIPTION	DATE	DWN	APVD
GP	00	SEE SHEET 1	-	-	-



7. SOLDER PIN DETAIL  
SCALE 10 : 1



△ SOLDER TERMINATION AREA  
 SCALE 40:1  
 RECOMMENDED PRINTED CIRCUIT SOLDER HOLE  
 FINISHED HOLE: Ø1.02 ±.08  
 DRILLED HOLE: Ø1.15 ±.013  
 COPPER PLATE: .025 MIN  
 TIN PLATE: .008 MIN. (PER SURFACE)

<small>THIS DRAWING IS UNPUBLISHED. RELEASED FOR PUBLICATION BY TYCO ELECTRONICS CORPORATION. IT IS SUBJECT TO CHANGE WITHOUT NOTICE AND WITHOUT OBLIGATION. SHOULD BE CONTACTED FOR THE LATEST REVISION.</small>		DWN: R. GRZYBOWSKI 20APRIL09 CHK: R. LONDON 20APRIL09 APVD: M. PERCHERIE 20APRIL09	Tyco Electronics Harrisburg, PA 17105-3608
DIMENSIONS: mm 	TOLERANCES UNLESS OTHERWISE SPECIFIED: 0 PLC ±. 1 PLC ±0.5 2 PLC ±0.25 3 PLC ±. 4 PLC ±. ANGLES ±.	NAME: SOCKET CONNECTOR STRAIGHT, SOLDER TAILS FLATPAQ PRODUCT SPEC: APPLICATION SPEC: WEIGHT: CUSTOMER DRAWING	SIZE: A   00779   C=2085239 SCALE: 3:1 SHEET: 3 OF 3 REV: A