

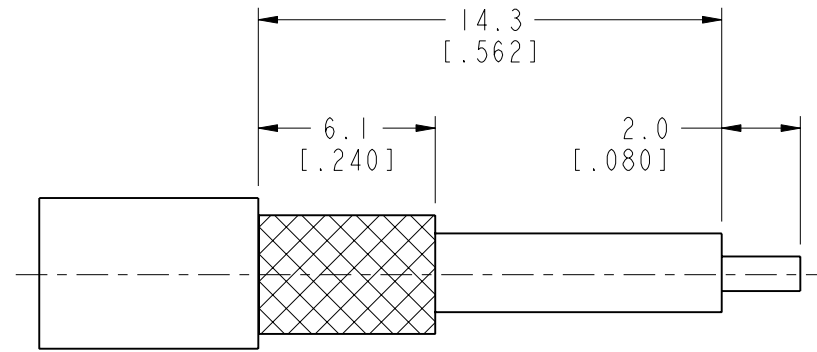
NOTES:

1. MATERIALS OF CONSTRUCTION:  
 BODY - BRASS, GOLD PLATING  
 CONTACT PIN - BERYLLIUM COPPER, GOLD PLATING  
 INSULATOR - PTFE
2. ELECTRICAL:  
 A. IMPEDANCE: 50 OHM  
 B. FREQUENCY RANGE: DC 0-4 GHz  
 C. VSWR: 1.3 MAX  
 D. DIELECTRIC WITHSTANDING VOLTAGE: 1000 VRMS, MIN
3. MECHANICAL:  
 A. DURABILITY: 500 CYCLES MIN.  
 B. TEMPERATURE RANGE: -40°C TO +155°C
4. FOR ASSEMBLY INSTRUCTION SEE AMPHENOL SPEC. 349-50521 SHEET 2.
5. OTHER:  
 A. CRIMPED FERRULE: HEX CRIMP SIZE .128"  
 B. SOLDER CONTACT CONDUCTOR

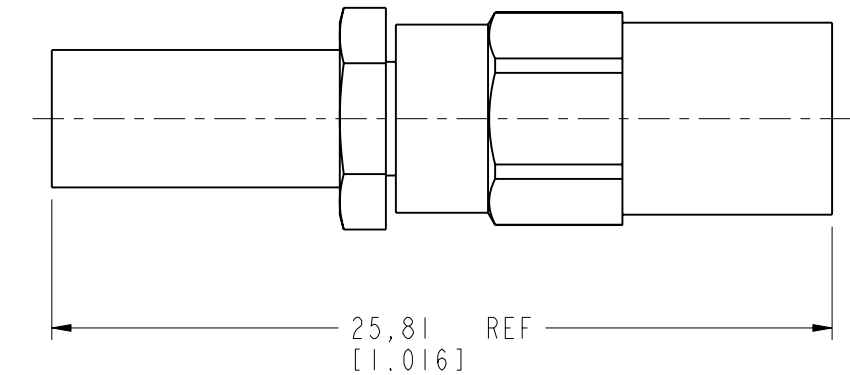
THIRD ANGLE PROJ.

REVISIONS

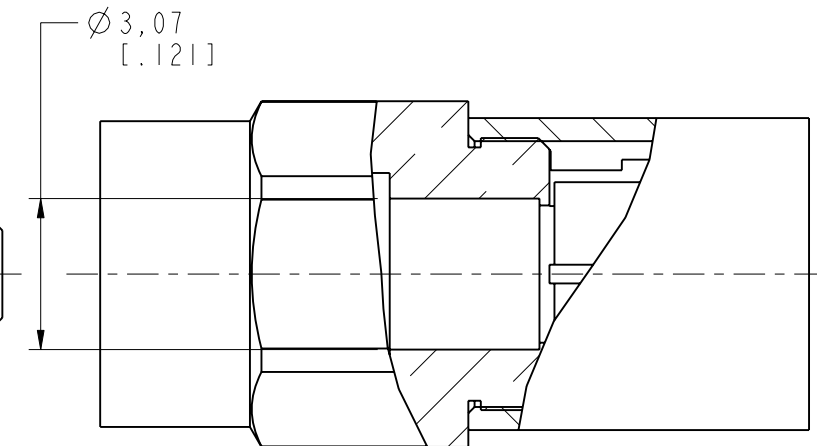
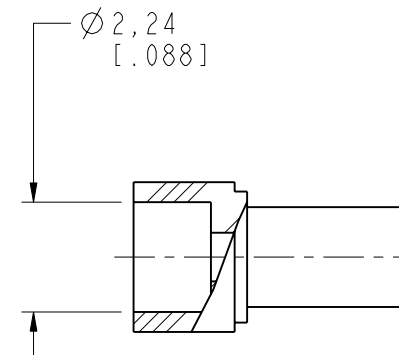
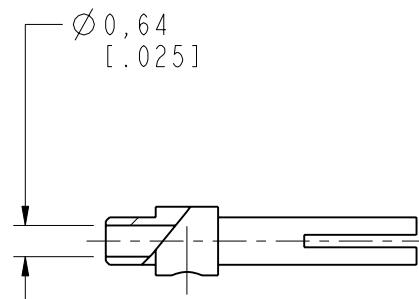
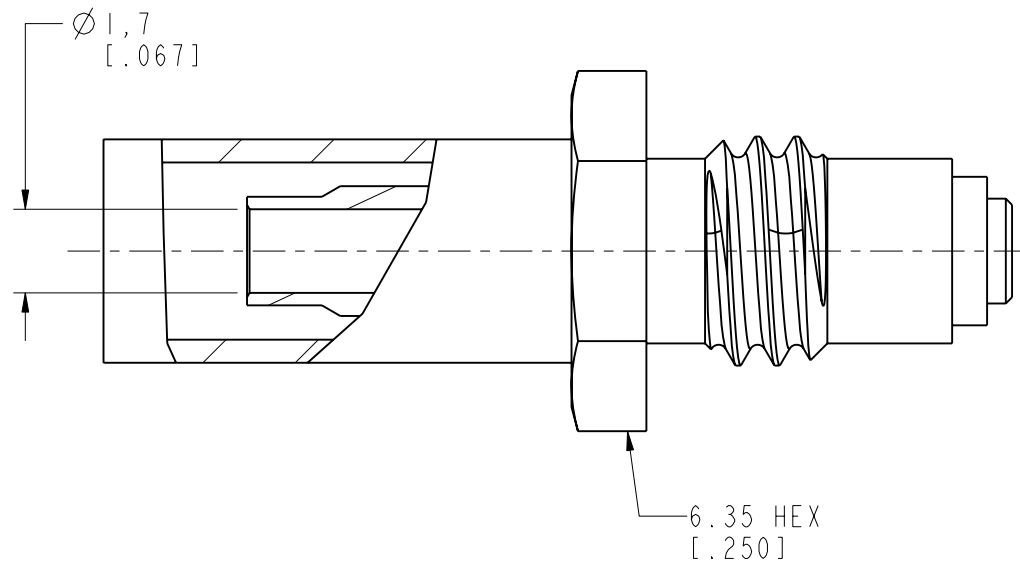
REV	DESCRIPTION	DATE	ECO	APPR
A	RELEASE TO MFG.	9/1/89	36675	PB
G	SYNC ARFA AND DANBURY DRAWINGS	01-Aug-11	48700	SCOTT



RECOMMENDED  
CABLE STRIPPING DIMENSION



AFTER ASSEMBLING



**CUSTOMER OUTLINE DRAWING**

ALL OTHER SHEETS ARE FOR INTERNAL USE ONLY

UNLESS OTHERWISE SPECIFIED, DIMENSIONS ARE IN METRIC AND TOLERANCES ARE:  
 <0.5mm ±0.05mm    0.5 - 6mm ±0.1mm    6 - 30mm ±0.2mm    30 - 120mm ±0.3mm    ANGLES ±1°

NOTICE - These drawings, specifications, or other data (1) are, and remain the property of Amphenol corp. (2) must be returned upon request; and (3) are confidential and not to be disclosed to any person other than those to whom they are given by Amphenol Corp. the finishing of these drawings, specifications, or other data by Amphenol Corp., or to any other person to anyone for any purpose is not to be regarded by implication or otherwise in any manner licensing, granting rights to permitting such holder or any other person to manufacture, use or sell any product, process or design, patented or otherwise, that may in any way be related to or disclosed by said drawings, specifications, or other data.

MATERIAL	SEE NOTE
REFERENCE	SAME AS 903-370P-51S
FINISH	

DRAWN	I.XU	DATE	26-Jul-11
ENGINEER	P.BRENZEL	DATE	07-Aug-89
APPROVED	S.HSIEH	DATE	29-Jul-11
CAD FILE			

TITLE	SMB 50 OHM PLUG, CRIMP FOR RG-174, RG-188, 316/U
SCALE:	8.0:1.0
SHEET	2 OF 2
DWG SIZE	B
REV	G

Amphenol RF Danbury CT USA, Tainan, Taiwan, Shenzhen, China www.amphenolrf.com	
DRAWING NO. 903-285P-51S	
ITEM NO. 903-285P-51S	
PART NO. 903-285P-51S	