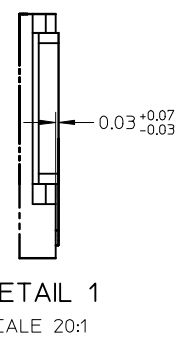
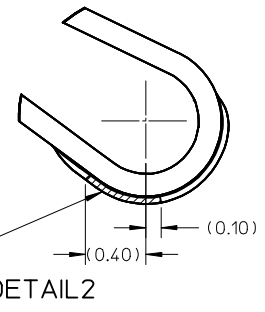
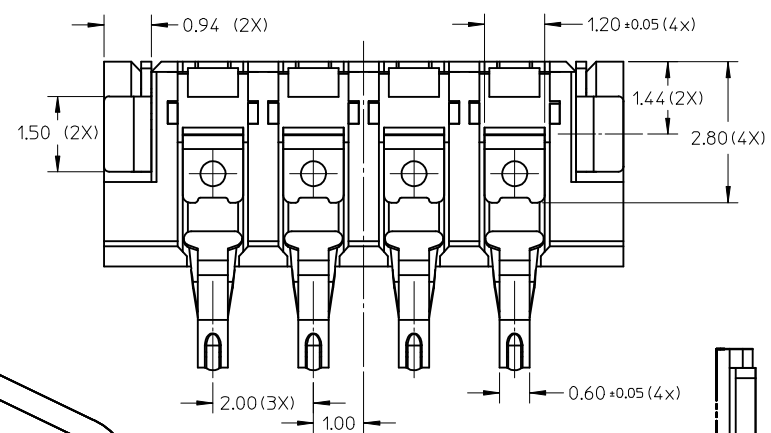
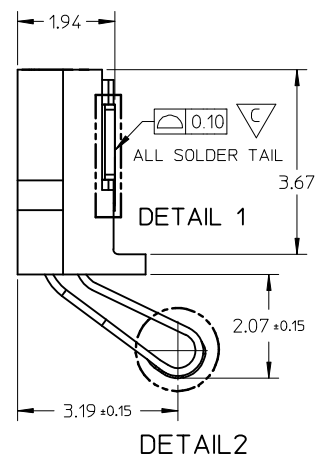
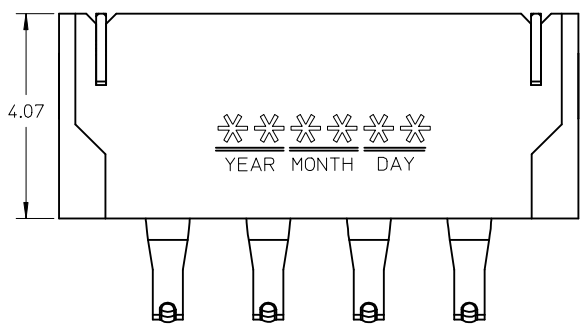


RECOMMENDED PCB LAYOUT
 DEFAULT TOLERANCE : ±0.05MM



- NOTES:
- MATERIAL:
 TERMINAL : BERYLLIUM COPPER
 HOUSING : HIGH TEMPERATURE THERMAL PLASTIC
 FITTING NAIL : BRASS
 - FINISH:
 TERMINAL : 50μm Min NICKEL UNDER PLATED
 30μm Min GOLD PLATING ON CONTACT AREA
 GOLD FLASH ON SOLDERING AREA
 FITTING NAIL : 100μm Min TIN ALLOY OVER 50μm Min NICKEL OVERALL
 - PRODUCT SPECIFICATION : PS-105080-001
 - PACKAGEING SPECIFICATION : PK-47618-001
 - NORMAL FORCE SPEC:
 COMPRESS 1.37MM, READING DATA AT LOADING CURVE
 45+/-25gf AT 0.63mm DEFLECTION
 70+/-25gf AT 1.0mm DEFLECTION
 210gf MAX AT 1.37mm DEFLECTION
 - COMPLIANT TO RoHS DIRECTIVE 2002/95/EC
 AND ELV DIRECTIVE 2000/53/EC

CONTACT AREA
 ON DIMPLE
 (IN SHADOW)

DETAIL 1
 SCALE 20:1

NEW RELEASE EC NO: SH2009-0629 DRWN: YPWU CHKD: APPR: HWANG	2009/04/10 2009/04/13 2009/04/27	DESCRIPTION REV	QUALITY SYMBOLS	GENERAL TOLERANCES (UNLESS SPECIFIED)		DIMENSION STYLE		SCALE	DESIGN UNITS	THIRD ANGLE PROJECTION	
			▽=0 ∇=2	mm	INCH	MM ONLY	10:1	METRIC	TITLE		
				4 PLACES ± --- ± ---	DRAWN BY	DATE	SALES DRAWING				
				3 PLACES ± --- ± ---	JYANG13	2008/12/02	4 PIN 2.0MM PITCH				
	2 PLACES ± 0.13 ± ---	CHECKED BY	DATE	BATTERY CONNECTOR							
	1 PLACE ± --- ± ---	YLZHU02	2008/12/02	MOLEX INCORPORATED							
	ANGULAR ± 3 °	APPROVED BY	DATE	MATERIAL NO.		DOCUMENT NO.		SHEET NO.			
		HWANG	2008/12/02	1050801001		SD-105080-001		1 OF 1			
		DRAFT WHERE APPLICABLE MUST REMAIN WITHIN DIMENSIONS				THIS DRAWING CONTAINS INFORMATION THAT IS PROPRIETARY TO MOLEX INCORPORATED AND SHOULD NOT BE USED WITHOUT WRITTEN PERMISSION					