

DESCRIPTION: POWER - SOLDER CUP - FEMALE - MACHINED

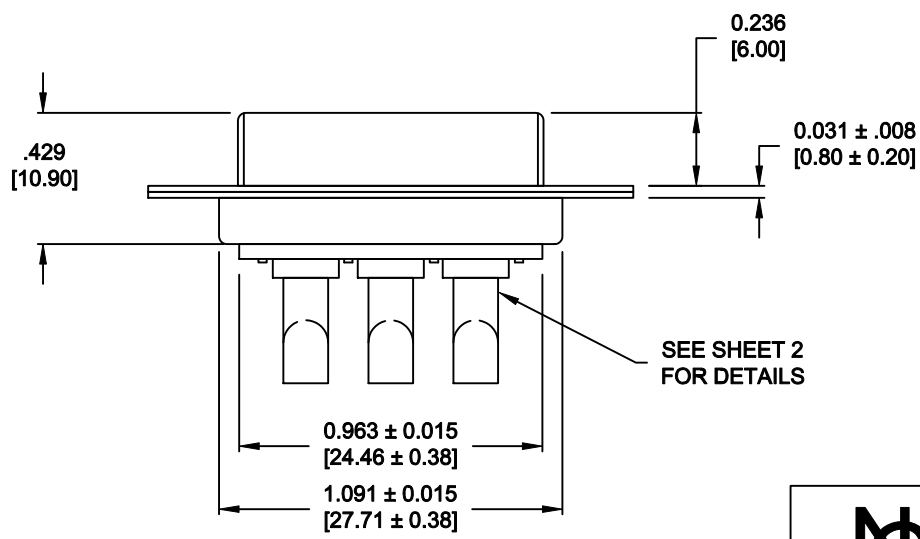
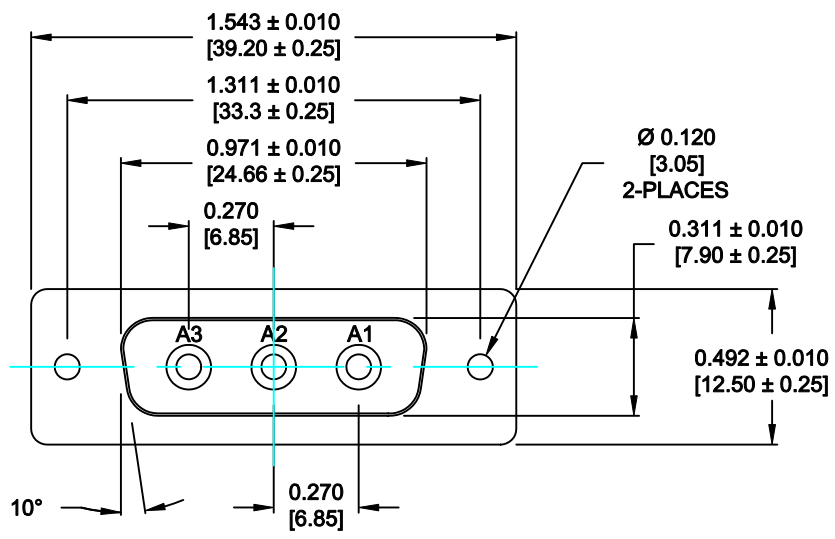
SPECIFICATIONS:

ELECTRICAL:
 INSULATOR RESISTANCE: 5 G OHMS Min.
 DIELECTRIC WITHSTANDING: 1,000 VAC for 1 MINUTE
 OPERATING TEMPERATURE: -55° C ~ +155° C
 CONTACT RESISTANCE: 1.0 Milliohms Max.
 POWER PINS: SEE PART No. BELOW

MECHANICAL:
 CONTACT INSERTION FORCE: 4.5 Kg Max.
 CONTACT SEPARATOR FORCE: 0.3Kg Min.

MATERIALS:
 CONTACTS: COPPER ALLOY
 INSULATOR: PBT UL94V-0 RATED, BLK
 230°C PROCESS TEMP.
 SHELL: STEEL

FINISH:
 SHELL: NICKEL
 CONTACTS: FULL GOLD FLASH



680M3W3203LYY1

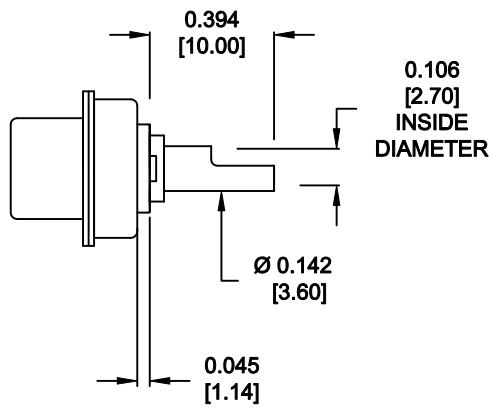
20 = 20 AMPS
 40 = 40 AMPS

M = MACHINED CONTACTS

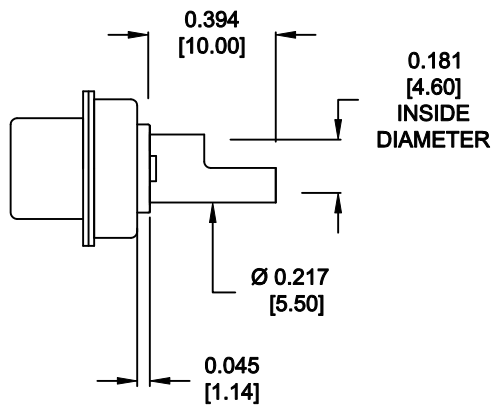
RoHS COMPLIANT

| | | | | |
|----------------|---|-------------------|----------------------------|--------------------------|
| | THESE DRAWINGS AND SPECIFICATIONS ARE THE PROPERTY OF NorComp AND SHALL NOT BE REPRODUCED, COPIED OR USED AS THE BASIS FOR THE MANUFACTURE OF SALE OF APPARATUS WITHOUT WRITTEN PERMISSION. | | DRAWN: M. SIGMON | DATE: 08-20-12 |
| | | | CHECKED: X | DATE: X |
| NorComp | SCALE: N.T.S. | SHEET 1 | OF 2 | REV 0 |
| | DWG NO. 680M3W3203LYY1 | | | |

**NOTE:
POWER CONTACTS COME
PRE-LOADED INTO INSULATORS**




**20 AMP POWER CONTACTS
ACCEPTS UP TO 12 AWG WIRE**



**40 AMP POWER CONTACTS
ACCEPTS UP TO 8 AWG WIRE**

RoHS COMPLIANT

| | | | | | |
|--|---|----------------------------|--|-----------------------|--|
|  | THESE DRAWINGS AND SPECIFICATIONS ARE THE PROPERTY OF NorComp AND SHALL NOT BE REPRODUCED, COPIED OR USED AS THE BASIS FOR THE MANUFACTURE OF SALE OF APPARATUS WITHOUT WRITTEN PERMISSION. | DRAWN: M. SIGMON | | DATE: 08-20-12 | |
| | | CHECKED: X | | DATE: X | |
| NorComp | SCALE: N.T.S. | SHEET 2 OF 2 | | REV 0 | |
| | DWG NO. 680M3W3203LYY1 | | | | |