

# EasyWiFi™

## Manual

*All Mikroelektronika's development systems feature a large number of peripheral modules expanding microcontroller's range of application and making the process of program testing easier. In addition to these modules, it is also possible to use numerous additional modules linked to the development system through the I/O port connectors. Some of these additional modules can operate as stand-alone devices without being connected to the microcontroller.*

# Additional board

 **MikroElektronika**

SOFTWARE AND HARDWARE SOLUTIONS FOR EMBEDDED WORLD ...making it simple

## EasyWiFi

The EasyWiFi additional board is used to establish wireless communication between a microcontroller and remote wireless devices. This board operates at 2.4GHz and supports IEEE 802.11b communication standard.

### Key features:

- IEEE 802.11b Wi-Fi transceiver module;
- Supports low-power, low data-rate Wi-Fi;
- WEP, WPA-PSK, WPA2-PSK security;
- Power supply 3.3V or 5V.

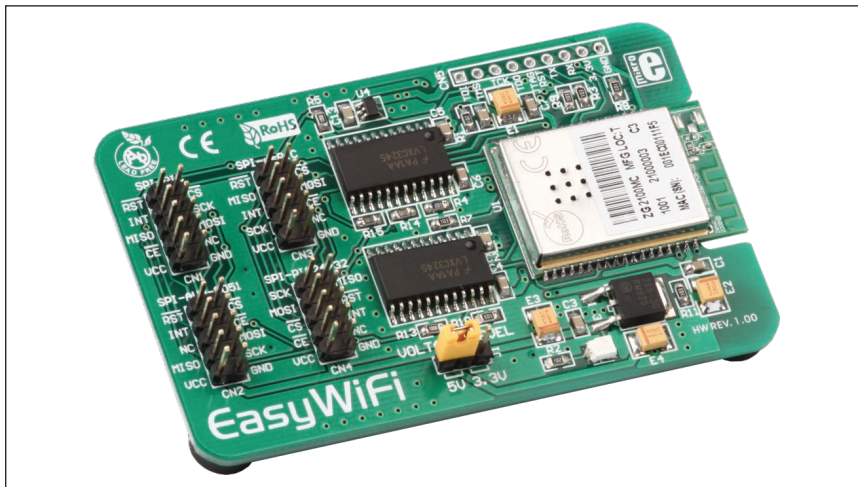


Figure 1: EasyWiFi additional board

### How to connect the board?

The EasyWiFi board is connected to a development system via a 2x5 connector on the board and a 2x5 connector on the development system. Connection may be established via a flat cable with IDC10 connectors on its ends, Figure 4.

When connecting EasyWiFi board to a development system, pay attention to designations associated to connectors CN1, CN2, CN3 and CN4. These designations indicate development systems that each connector may be connected to.

The board communicates with a microcontroller via the Serial Peripheral Interface (SPI). UART and JTAG pins, that can be used for testing purposes, are provided on CN5. Jumper J1 is used to select power supply voltage (3.3V or 5V) to be used to power the additional board.

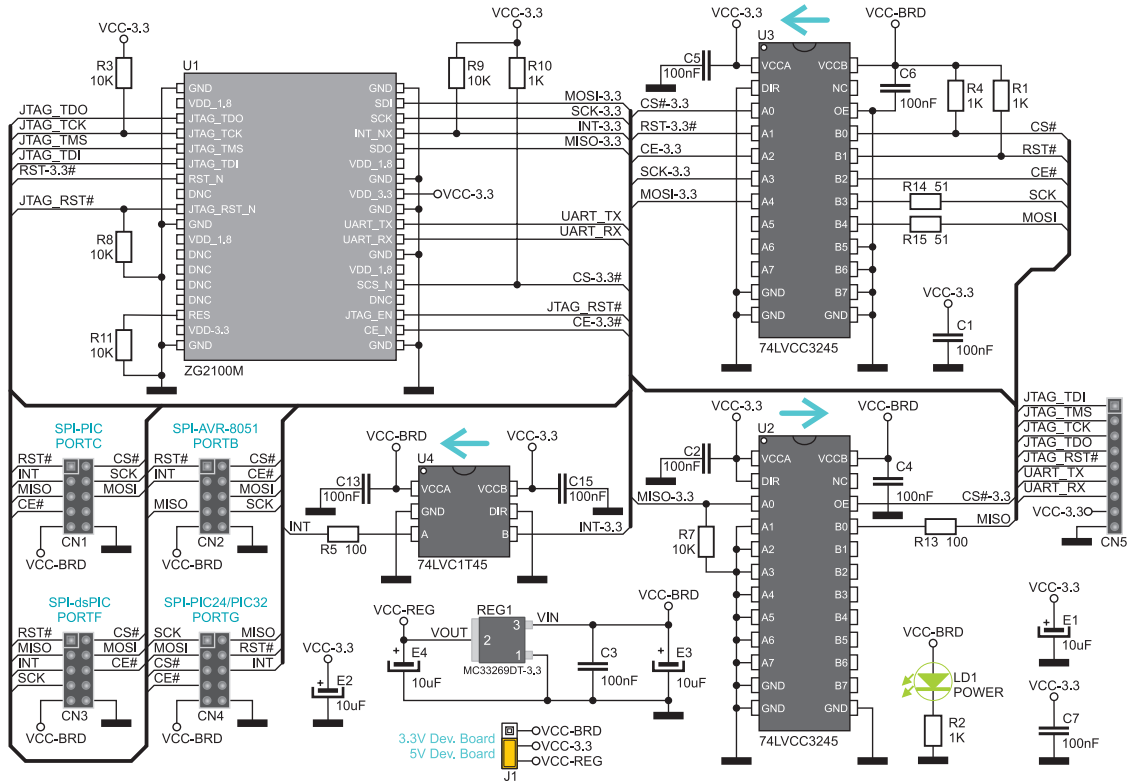


Figure 2: EasyWiFi additional board connection schematic

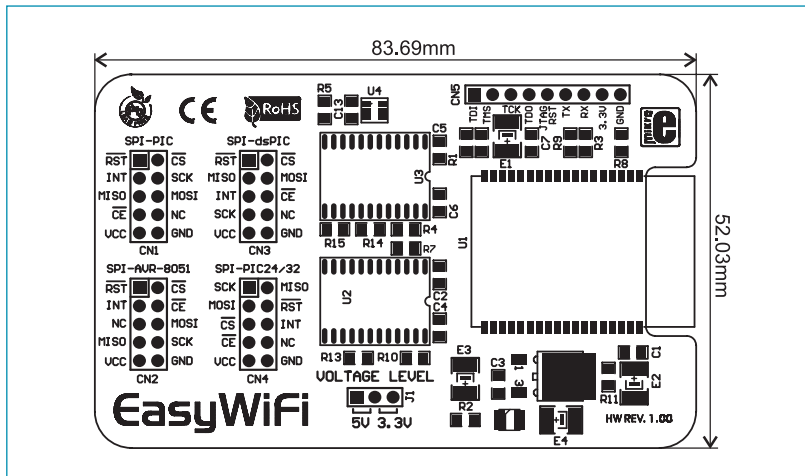


Figure 3: Dimensions of the EasyWiFi additional board

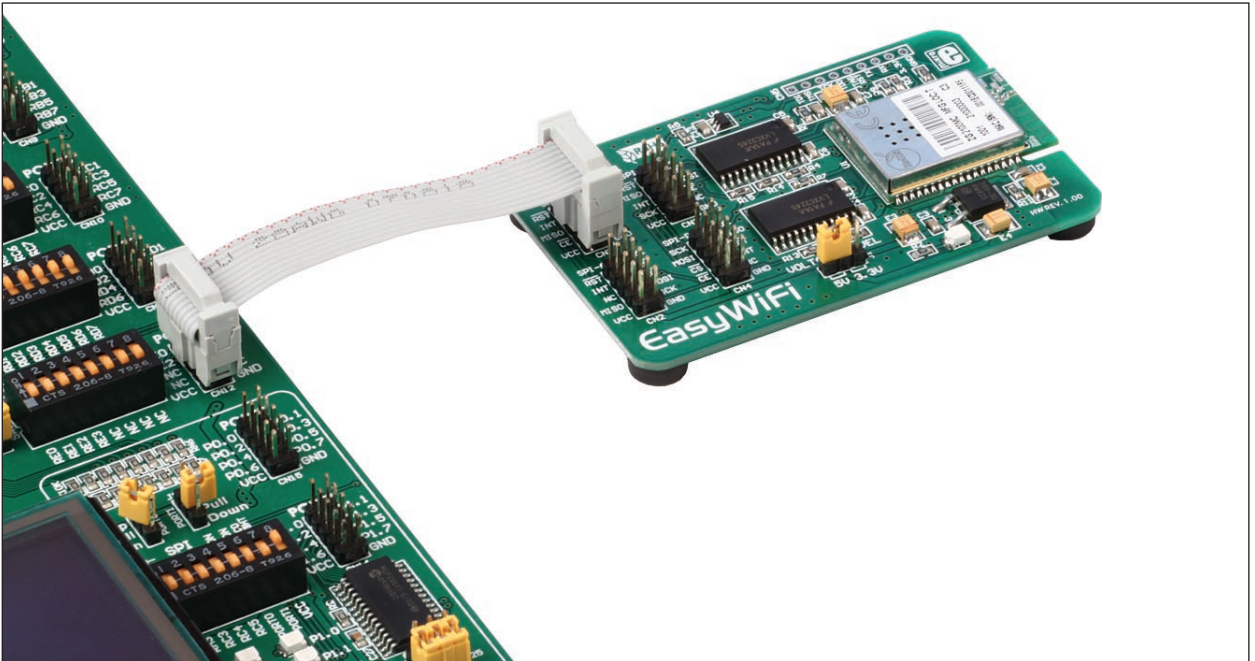


Figure 4: EasyWiFi connected to a development system





**MikroElektronika**  
SOFTWARE AND HARDWARE SOLUTIONS FOR EMBEDDED WORLD ...making it simple

If you want to learn more about our products, please visit our website at [www.mikroe.com](http://www.mikroe.com)

If you are experiencing some problems with any of our products or just need additional information, please place your ticket at [www.mikroe.com/en/support](http://www.mikroe.com/en/support)

If you have any questions, comments or business proposals, do not hesitate to contact us at [office@mikroe.com](mailto:office@mikroe.com)