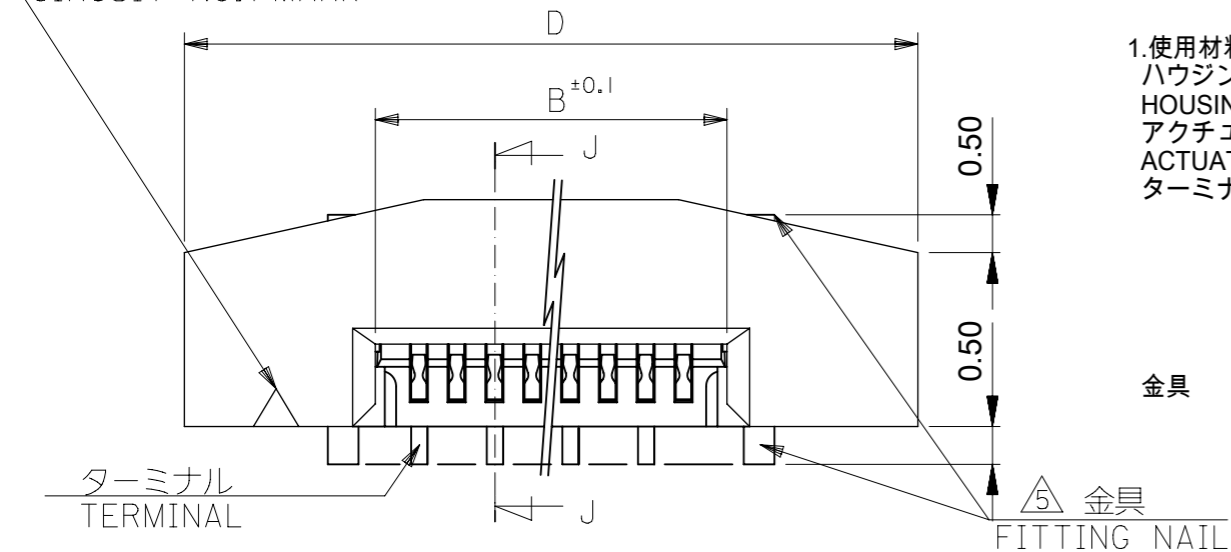


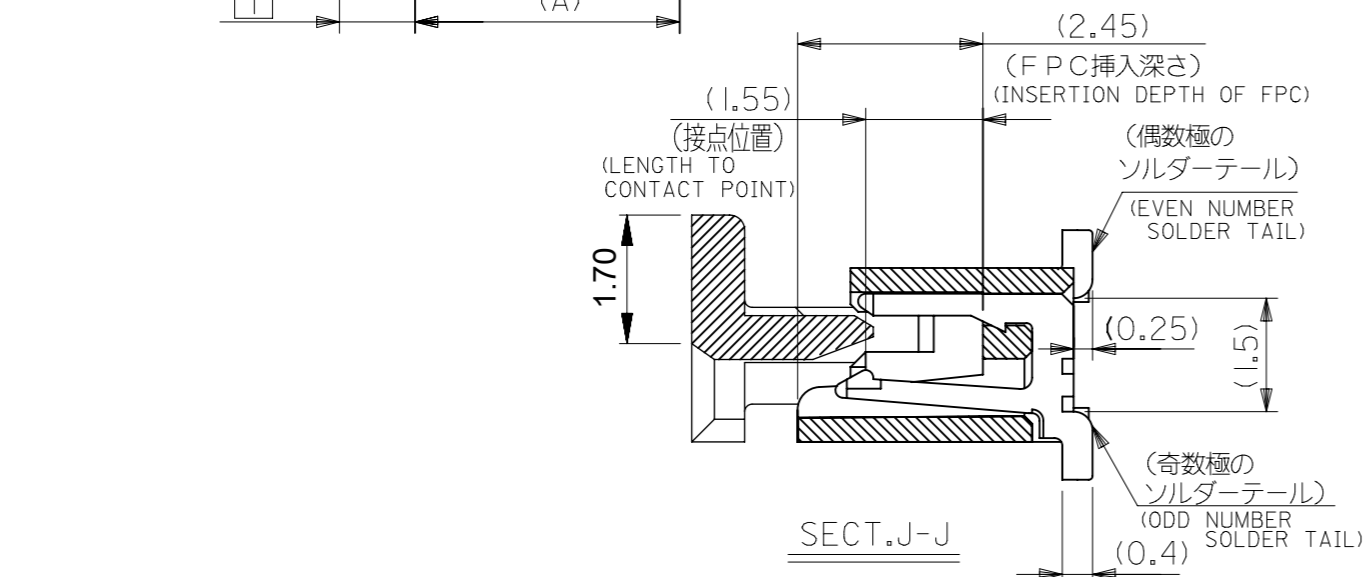
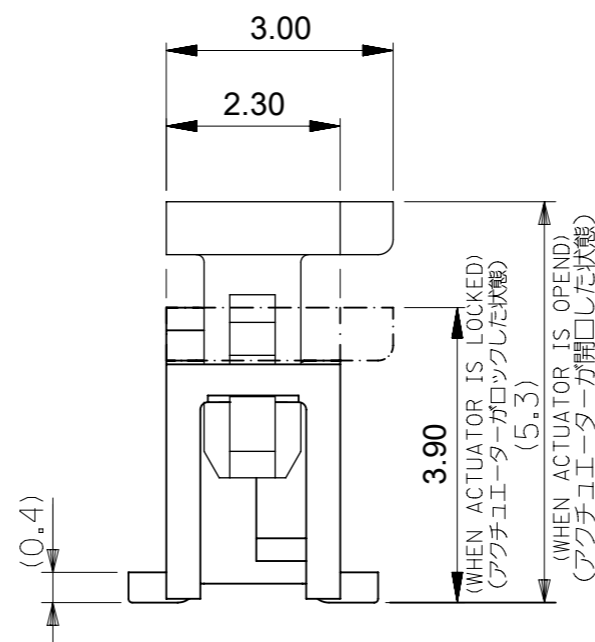
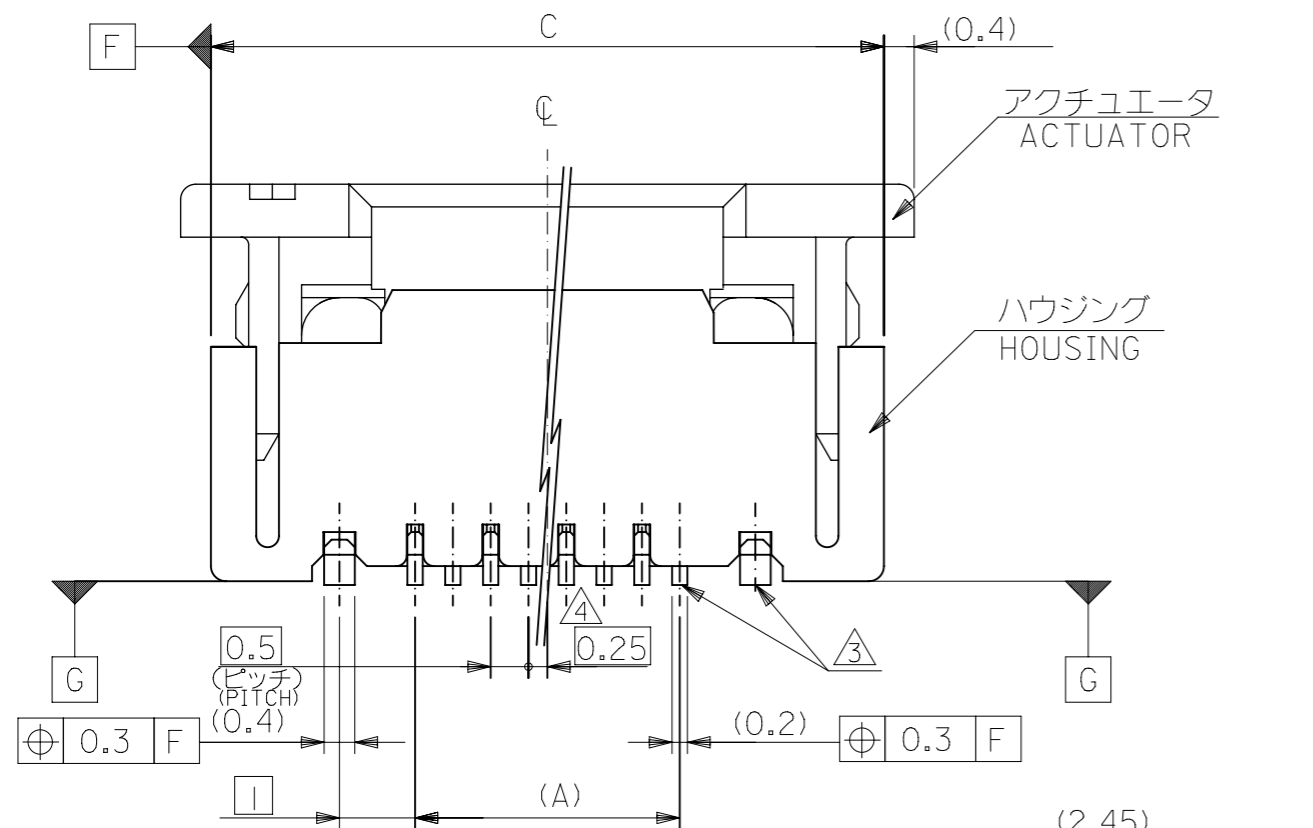
回路番号1用マーク
CIRCUIT NO.1 MARK



1.使用材料 MATERIAL

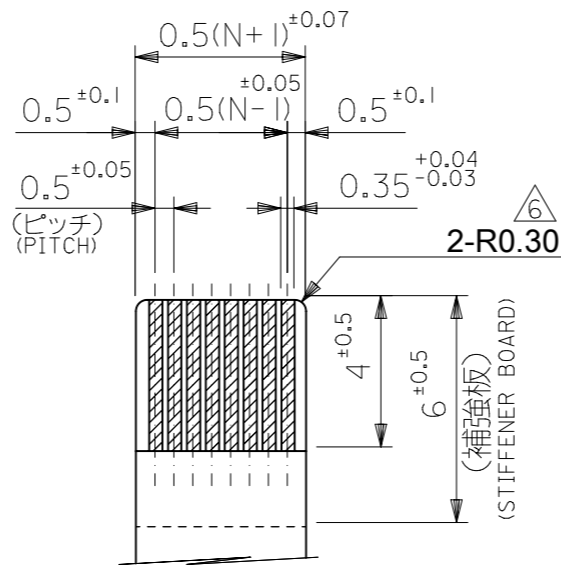
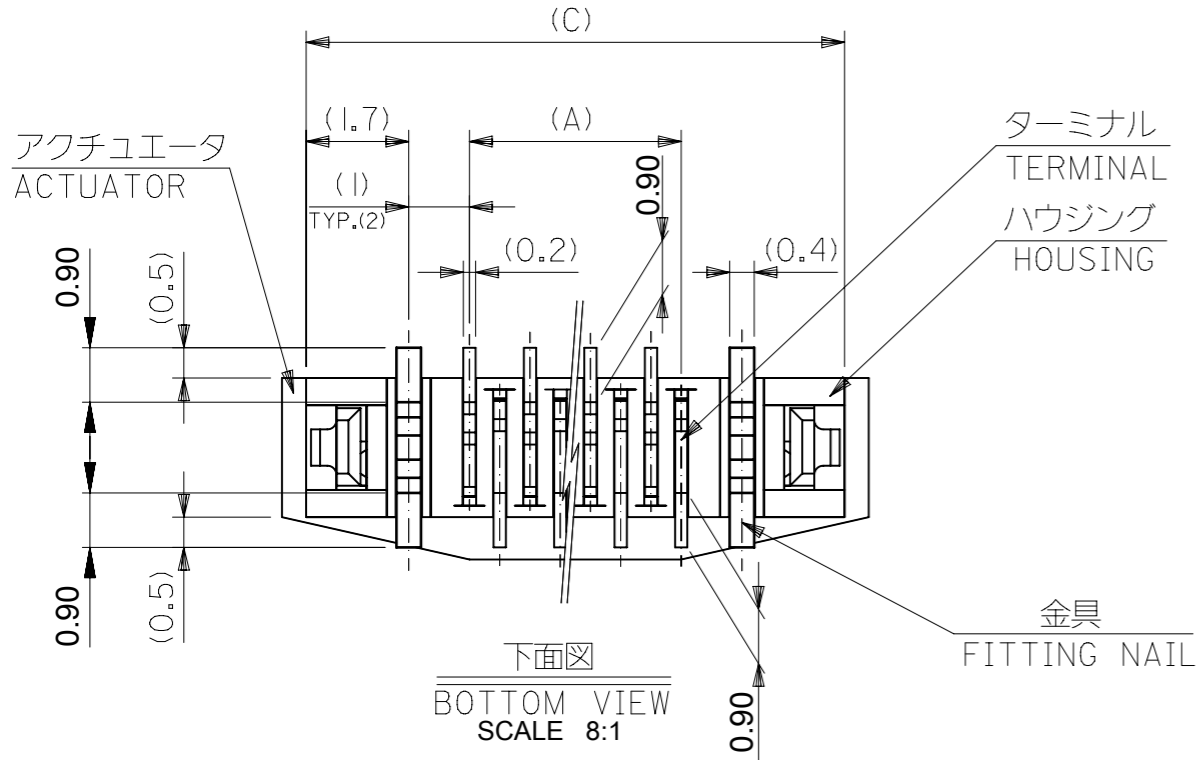
- ハウジング : 46ナイロン、UL94V-0
- HOUSING : PA46, UL94V-0
- アクチュエータ : ポリフェニレンサルファイド (PPS)、UL94V-0
- ACTUATOR : PPS, UL94V-0
- ターミナル : リン青銅(t=0.2) PHOS-BRO(t = 0.2)
- 接点部 金メッキ 0.1マイクロメートル以上
- CONTACT GOLD 0.1 MICROMETER MINIMUM
- 半田付け部 錫メッキ 1.0マイクロメートル以上
- TAIL TIN 1.0 MICROMETER MINIMUM
- ニッケル下地 1.0マイクロメートル以上
- NICKEL(UNDER PLATING) 1.0 MICROMETER MINIMUM
- 金具 : リン青銅(t=0.4) PHOS-BRO(t = 0.4)
- 錫メッキ 1.0マイクロメートル以上
- TIN 1.0 MICROMETER MINIMUM
- ニッケル下地 1.0マイクロメートル以上
- NICKEL(UNDER PLATING) 1.0 MICROMETER MINIMUM

- 2.エンボステープ梱包時はアクチュエータがロックした状態とする。
IN THE PACKAGE, ACTUATOR OF PART NO.52559-**79 SHOULD BE LOCKED.
- 3.ソルダーテール半田付け面のズレ量、および金具半田付け面のズレ量は基準面 G に対し上方向 0.05MAXIMUM、下方向 0.15MAXIMUMとする。
MISALIGNMENT OF SOLDER TAILS AND FITTING NAILS FROM DATUM-G
UPPER DIRECTION : 0.05MAXIMUM, LOWER DIRECTION : 0.15 MAXIMUM.
- 4.偶数極に適用。
APPLY FOR EVEN CIRCUIT.
- 5.パターンはく離止め金具。
FITTING NAIL FOR PREVENTION OF PEELING OF P.W.BOARD PATTERN.
- 6.R0.3は、FPCの導体部にかからないこと
R0.3 MUST NOT BE OVERLAPPED TO PATTERN OF FPC.

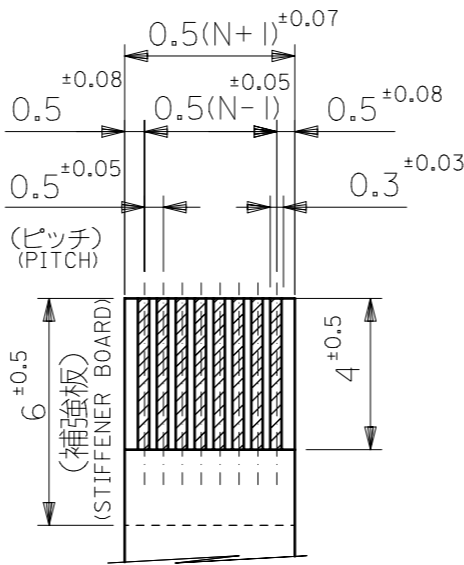


22.2	21.4	17.15	16.0	52559-3353	33
18.2	17.4	13.15	12.0	52559-2553	25
16.7	15.9	11.65	10.5	52559-2253	22
14.7	13.9	9.65	8.5	52559-1853	18
13.7	12.9	8.65	7.5	52559-1653	16
12.2	11.4	7.15	6.0	52559-1353	13
9.70	8.90	4.65	3.5	52559-0853	8
D	C	B	(A)	ORDER No.	CKT.

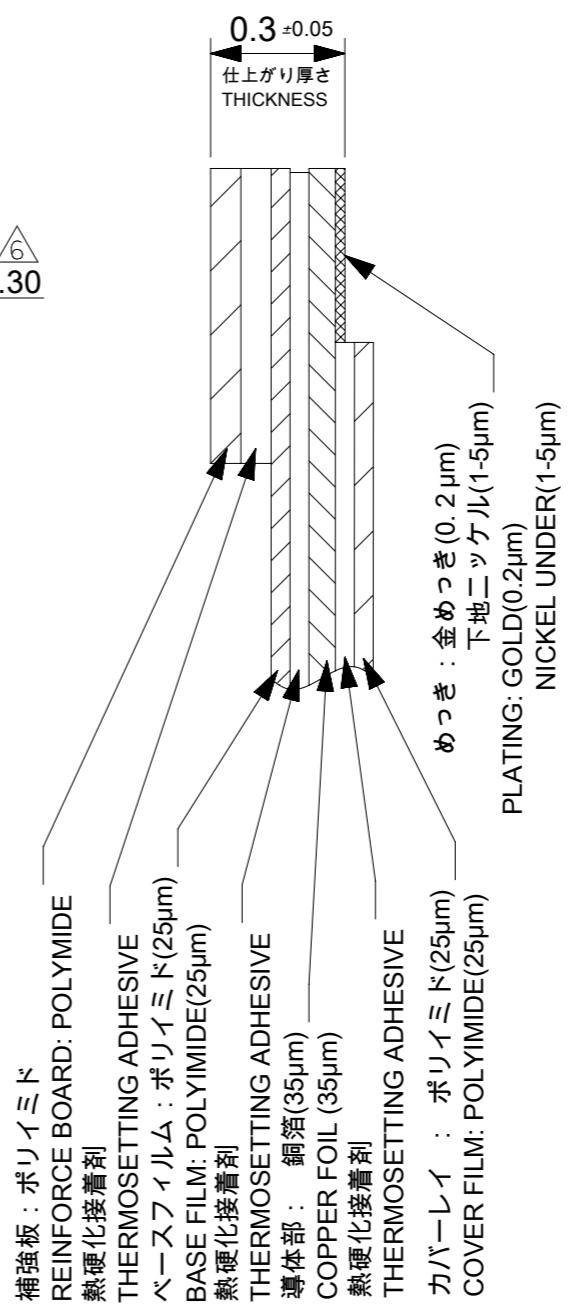
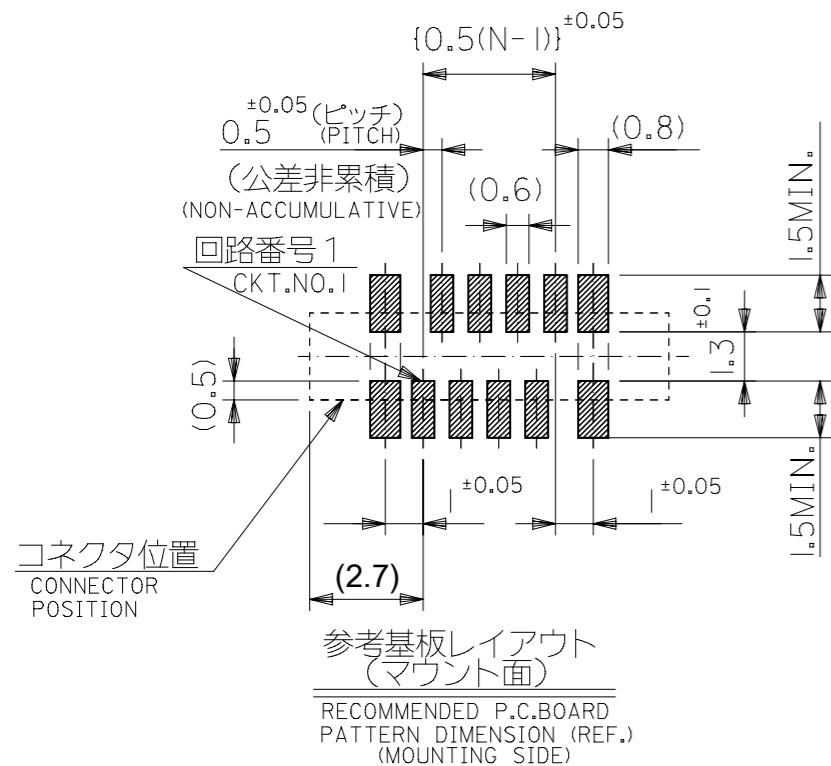
THIS DRAWING CONTAINS INFORMATION THAT IS PROPRIETARY TO MOLEX ELECTRONIC TECHNOLOGIES, LLC AND SHOULD NOT BE USED WITHOUT WRITTEN PERMISSION					
DIMENSION UNITS	SCALE	CURRENT REV DESC:			
mm	10:1	<p style="text-align: center;">molex</p> <p style="text-align: center;">0.5 FPC CONN ASSY ZIF FOR SMT EMBSTP PKG -LEAD FREE-</p> <p style="text-align: center;">PRODUCT CUSTOMER DRAWING</p>			
GENERAL TOLERANCES (UNLESS SPECIFIED)					
ANGULAR TOL	± 3.0°				
4 PLACES	± 0.2				
3 PLACES	± 0.2				
2 PLACES	± 0.2	INITIAL REVISION:		DOCUMENT NUMBER	DOC TYPE
1 PLACE	± 0.25	DRWN: MNABEI 2005/04/27		SD-52559-050	PSD
0 PLACES	± 0.3	APPR: NUKITA 2005/05/06		001	J
DRAFT WHERE APPLICABLE MUST REMAIN WITHIN DIMENSIONS		THIRD ANGLE PROJECTION	DRAWING	SERIES	MATERIAL NUMBER
			A3-SIZE	52559	SEE TABLE
		CUSTOMER		SHEET NUMBER	
		GENERAL MARKET		1 OF 5	



適合FPC推奨寸法
APPLICABLE FPC
RECOMMENDED DIMENSION.
(仕上がり厚さ: $0.3^{+0.05}$)
(THICKNESS: $0.3^{+0.05}$)



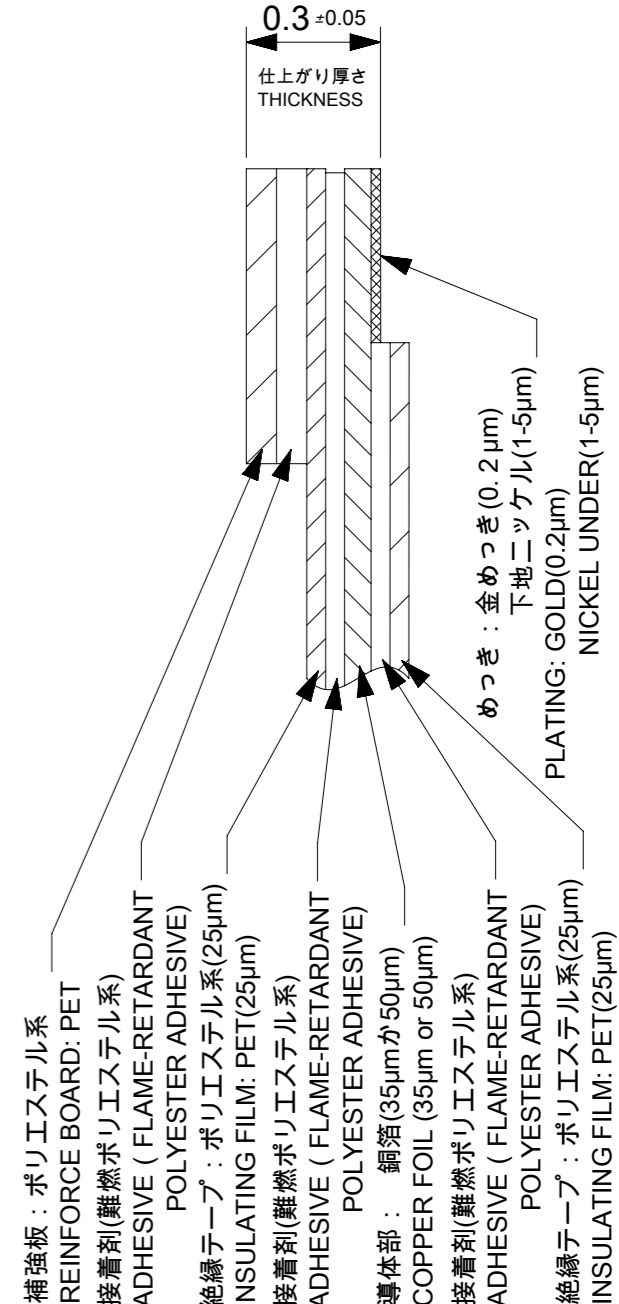
適合FFC推奨寸法
APPLICABLE FFC
RECOMMENDED DIMENSION.
(仕上がり厚さ: $0.3^{+0.05}$)
(THICKNESS: $0.3^{+0.05}$)



FPC構成推奨仕様
STRUCTURE OF FPC

FPCについて:
打抜き方向は導体側から補強板側を推奨致します。
補強フィルム材質はポリイミドを推奨致します。
接着剤は熱硬化接着剤を推奨致します。

ABOUT FPC :
RECOMMENDED PUNCHER DIRECTION : FROM CONDUCTOR SIDE TO STIFFENER BOARD SIDE.
RECOMMENDED MATERIAL :
STIFFENER FILM : POLYIMIDE
BONDING AGENT : THERMOSETTING BONDING AGENT

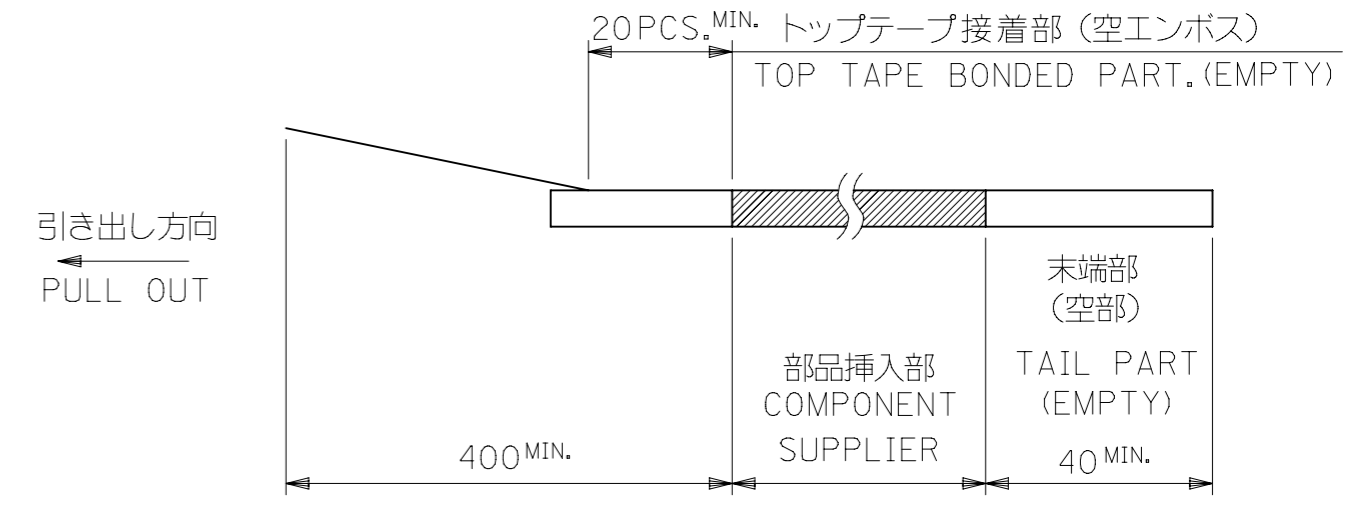


FFC構成推奨仕様
STRUCTURE OF FFC

THIS DRAWING CONTAINS INFORMATION THAT IS PROPRIETARY TO MOLEX ELECTRONIC TECHNOLOGIES, LLC AND SHOULD NOT BE USED WITHOUT WRITTEN PERMISSION		CURRENT REV DESC:		molex	
DIMENSION UNITS	SCALE				
mm	5:1			0.5 FPC CONN ASSY ZIF FOR SMT EMBSTP PKG -LEAD FREE-	
GENERAL TOLERANCES (UNLESS SPECIFIED)				PRODUCT CUSTOMER DRAWING	
ANGULAR TOL	$\pm 3.0^\circ$	EC NO:	176518	DOCUMENT NUMBER	
4 PLACES	± 0.2	DRWN:	TNAKAGAWA01 2018/05/09	DOC TYPE	DOC PART
3 PLACES	± 0.2	CHK'D:	RTAKEUCHI 2018/05/14	PSD	001
2 PLACES	± 0.2	APPR:	RTAKEUCHI 2018/05/14	SD-52559-050	
1 PLACE	± 0.25	INITIAL REVISION:		REVISION	J
0 PLACES	± 0.3	DRWN:	MNABEI 2005/04/27	SHEET NUMBER	
DRAFT WHERE APPLICABLE MUST REMAIN WITHIN DIMENSIONS		APPR:	NUKITA 2005/05/06	MATERIAL NUMBER	CUSTOMER
THIRD ANGLE PROJECTION		DRAWING	A3-SIZE	52559	GENERAL MARKET
		SERIES	52559	SEE SHEET 1	2 OF 5

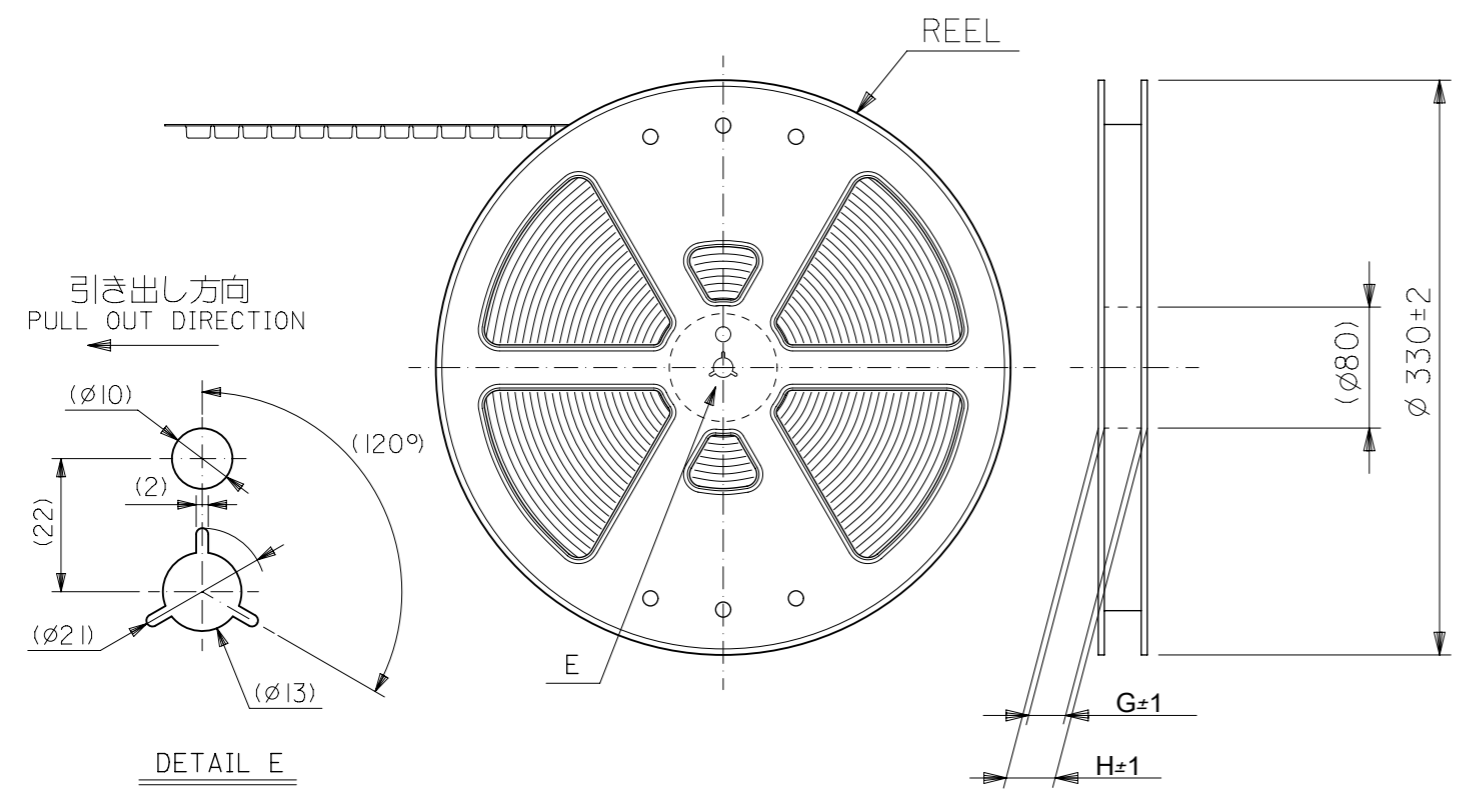
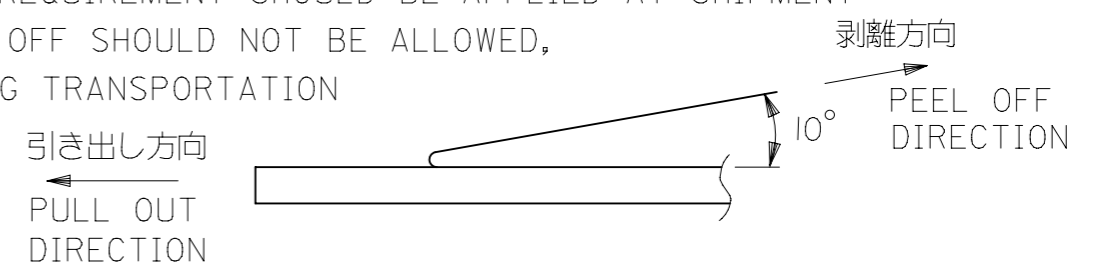
注記 NOTES

1. 梱包状態はアクチュエータがロックした状態とする。
IN THE PACKAGE, ACTUATOR SHOULD BE LOCKED.
2. 梱包数量：1000個/リール
NUMBER OF CONNECTORS:1000PCS/REEL
3. リードテープ長さ LEAD TAPE LENGTH



4. トップテープの剥離強度：(剥離方向は下図参照)
0.1N~1.3N {10gf~130gf} 尚、本規格値は、出荷時に適用。
(但し、輸送時に剥離が発生しない事。)

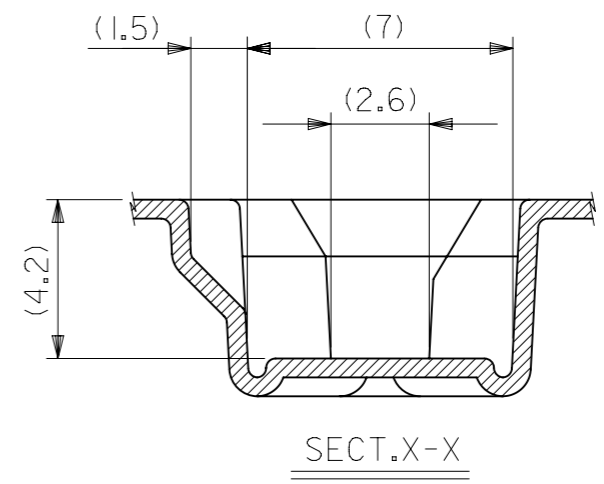
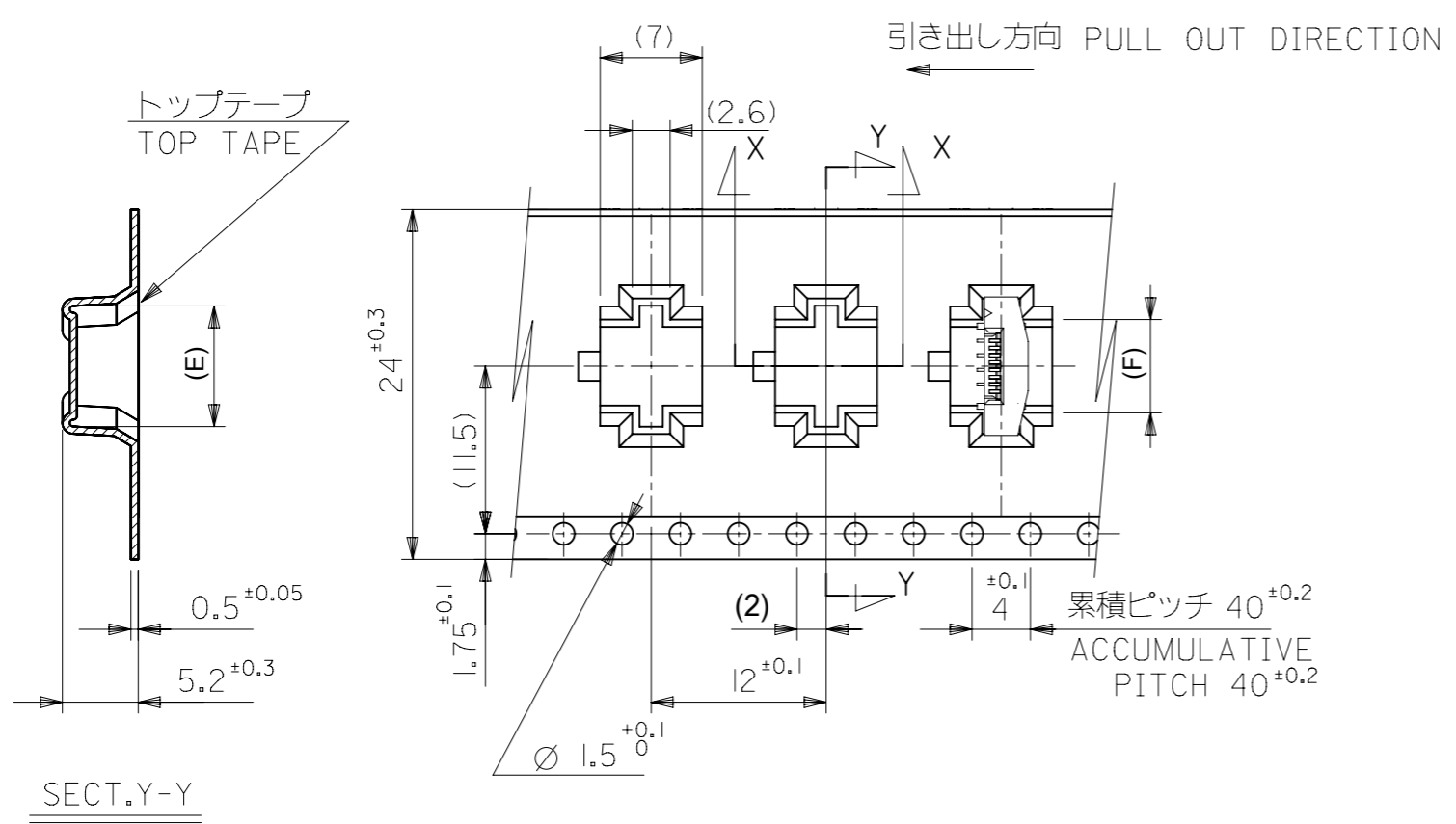
PEELING OFF FORCE OF TOP TAPE
0.1N~1.3N{10gf~130gf}(PEELING DIRECTION AS SHOWN IN FOLLOWING FIG.)
THIS REQUIREMENT SHOULD BE APPLIED AT SHIPMENT
PEEL OFF SHOULD NOT BE ALLOWED,
DURING TRANSPORTATION



5. 材料 キャリアテープ：ポリプロピレン (PP)
トップテープ：PET, PE, PEF
リール：ポリスチレン (PS) <リサイクル材を含む>
MATERIAL CARRIER TAPE:POLYPROPYLENE
TOP TAPE:PET,PE,PEF
REEL:POLYSTYRENE (PS)
<RECYCLE MATERIAL CONTAINED>

6. 本製品は52559-**52のエンボステープ違い品である。
THIS PRODUCT IS EMBOSSED TAPE DIFFERENCE ARTICLE OF 52559-**52.

THIS DRAWING CONTAINS INFORMATION THAT IS PROPRIETARY TO MOLEX ELECTRONIC TECHNOLOGIES, LLC AND SHOULD NOT BE USED WITHOUT WRITTEN PERMISSION		CURRENT REV DESC:		molex	
DIMENSION UNITS	SCALE				
mm	±±			0.5 FPC CONN ASSY ZIF FOR SMT EMBSTP PKG -LEAD FREE-	
GENERAL TOLERANCES (UNLESS SPECIFIED)		EC NO: 176518		PRODUCT CUSTOMER DRAWING	
ANGULAR TOL	± 3.0°	DRWN: TNAKAGAWA01	2018/05/09	DOCUMENT NUMBER	
4 PLACES	± 0.2	CHK'D: RTAKEUCHI	2018/05/14	SD-52559-050	
3 PLACES	± 0.2	APPR: RTAKEUCHI	2018/05/14	DOC TYPE	DOC PART
2 PLACES	± 0.2	INITIAL REVISION:		PSD	001
1 PLACE	± 0.25	DRWN: MNABEI	2005/04/27	REVISION	
0 PLACES	± 0.3	APPR: NUKITA	2005/05/06	J	
DRAFT WHERE APPLICABLE MUST REMAIN WITHIN DIMENSIONS		THIRD ANGLE PROJECTION	DRAWING	SERIES	MATERIAL NUMBER
			A3-SIZE	52559	SEE SHEET 4-5
				CUSTOMER	SHEET NUMBER
				GENERAL MARKET	3 OF 5

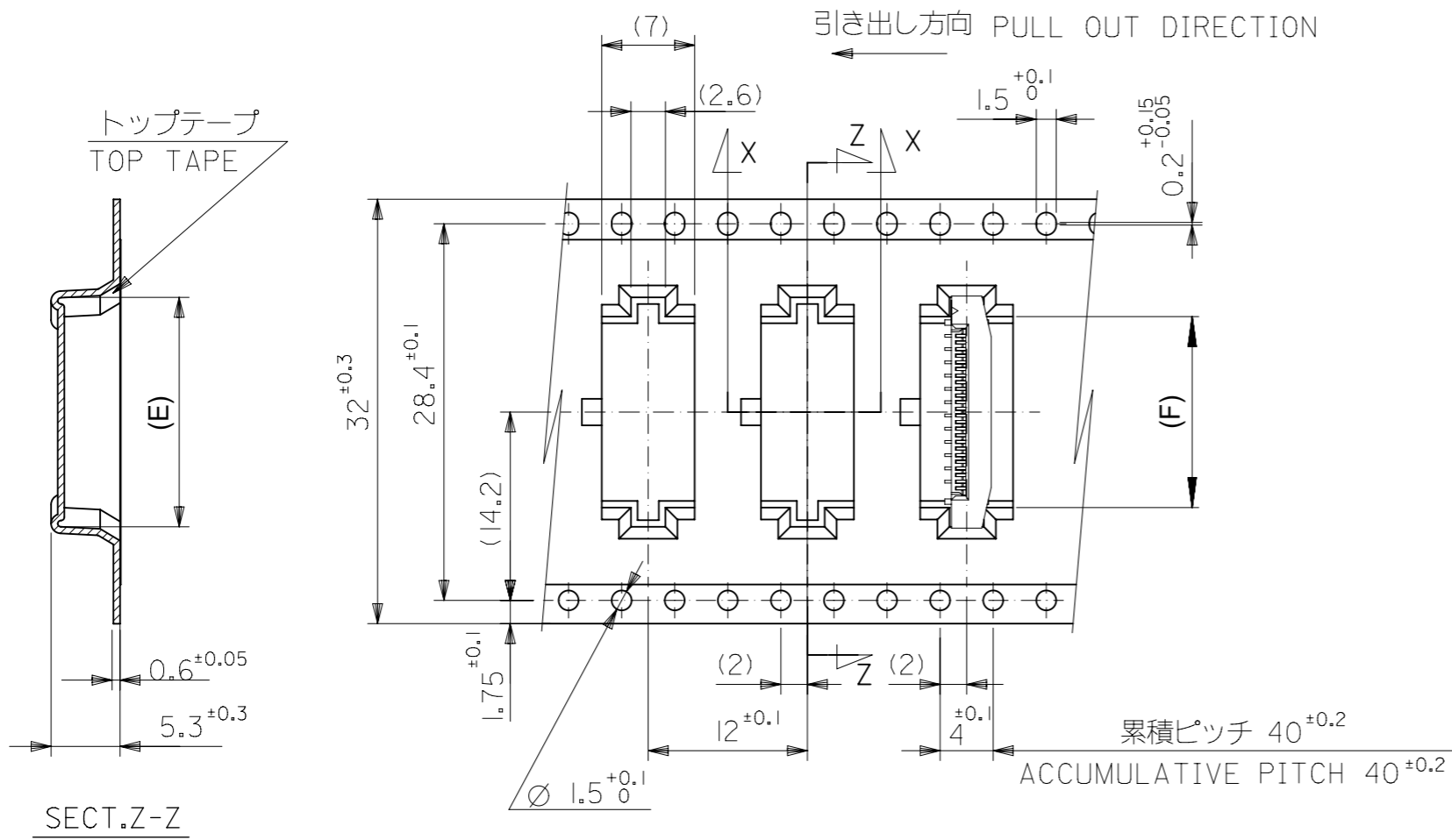


24mm幅キャリアテープ
24mm WIDTH CARRIER TAPE

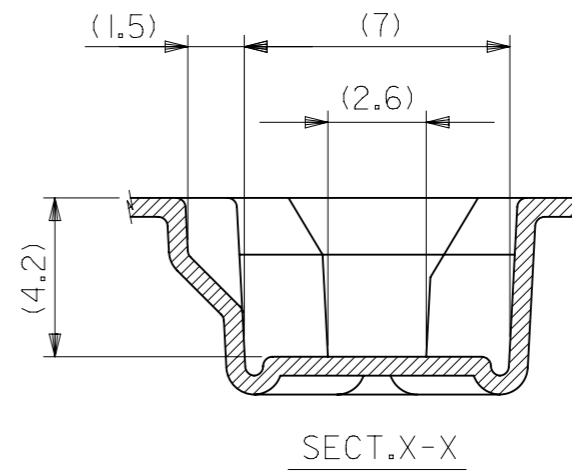
24	29.4	25.4	13.4	16.3	52559-2253	22		
			11.4	14.3	52559-1853	18		
			10.4	13.3	52559-1653	16		
			8.9	11.8	52559-1353	13		
			6.4	9.3	52559-0853	8		
CARRIER TAPE WIDTH			H	G	(F)	(E)	ORDER No.	CKT.

THIS DRAWING CONTAINS INFORMATION THAT IS PROPRIETARY TO MOLEX ELECTRONIC TECHNOLOGIES, LLC AND SHOULD NOT BE USED WITHOUT WRITTEN PERMISSION

DIMENSION UNITS mm	SCALE ±±	CURRENT REV DESC:		molex			
GENERAL TOLERANCES (UNLESS SPECIFIED)		EC NO: 176518					
ANGULAR TOL	± 3.0 °	DRWN: TNAKAGAWA01 2018/05/09		PRODUCT CUSTOMER DRAWING			
4 PLACES	± 0.2	CHK'D: RTAKEUCHI 2018/05/14		DOCUMENT NUMBER			
3 PLACES	± 0.2	APPR: RTAKEUCHI 2018/05/14		SD-52559-050			
2 PLACES	± 0.2	INITIAL REVISION:		DOC TYPE			
1 PLACE	± 0.25	DRWN: MNABEI 2005/04/27		PSD			
0 PLACES	± 0.3	APPR: NUKITA 2005/05/06		DOC PART			
DRAFT WHERE APPLICABLE MUST REMAIN WITHIN DIMENSIONS		THIRD ANGLE PROJECTION	DRAWING	SERIES	MATERIAL NUMBER	CUSTOMER	REVISION
			A3-SIZE	52559	SEE TABLE	GENERAL MARKET	J
							4 OF 5



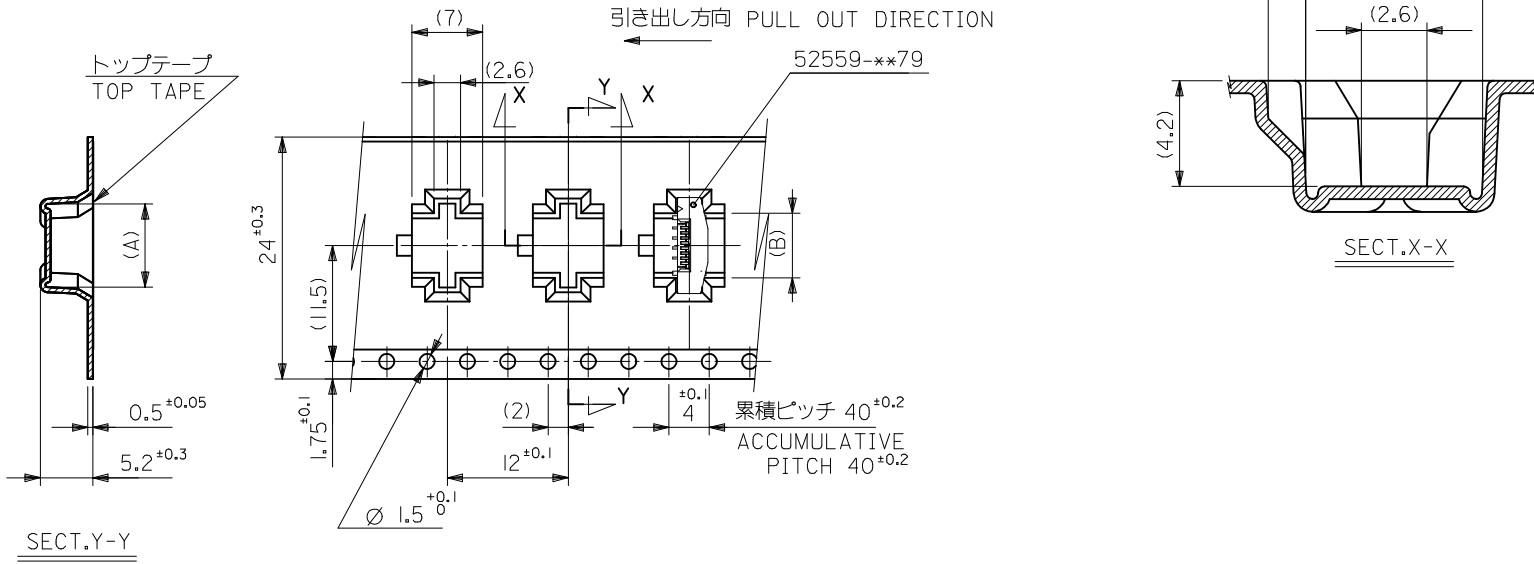
32mm幅キャリアテープ
32mm WIDTH CARRIER TAPE



SECT.X-X

32	37.4	33.4	18.9	21.8	52559-3353	33
			14.9	17.8	52559-2553	25
CARRIER TAPE WIDTH			H	G	(F)	(E)
			ORDER No.	CKT.		

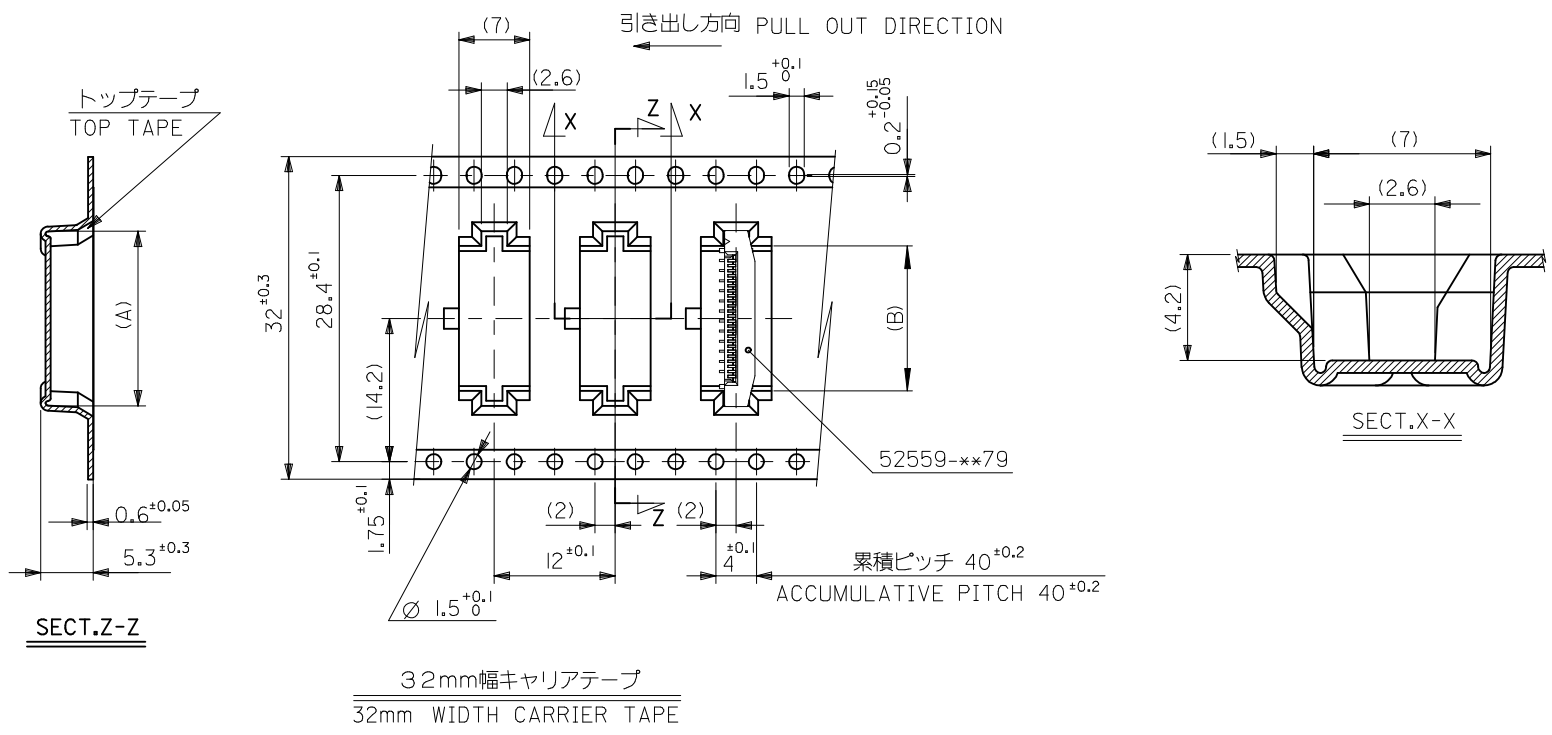
THIS DRAWING CONTAINS INFORMATION THAT IS PROPRIETARY TO MOLEX ELECTRONIC TECHNOLOGIES, LLC AND SHOULD NOT BE USED WITHOUT WRITTEN PERMISSION		CURRENT REV DESC:		molex			
DIMENSION UNITS	SCALE						
mm	±			PRODUCT CUSTOMER DRAWING			
GENERAL TOLERANCES (UNLESS SPECIFIED)		EC NO: 176518		DOCUMENT NUMBER			
ANGULAR TOL	± 3.0 °	DRWN: TNAKAGAWA01 2018/05/09		SD-52559-050			
4 PLACES	± 0.2	CHK'D: RTAKEUCHI 2018/05/14		DOC TYPE			
3 PLACES	± 0.2	APPR: RTAKEUCHI 2018/05/14		PSD			
2 PLACES	± 0.2	INITIAL REVISION:		DOC PART			
1 PLACE	± 0.25	DRWN: MNABEI 2005/04/27		001			
0 PLACES	± 0.3	APPR: NUKITA 2005/05/06		REVISION			
DRAFT WHERE APPLICABLE MUST REMAIN WITHIN DIMENSIONS		THIRD ANGLE PROJECTION	DRAWING	SERIES	MATERIAL NUMBER	CUSTOMER	SHEET NUMBER
			A3-SIZE	52559	SEE TABLE	GENERAL MARKET	5 OF 5



24mm幅キャリアテープ
24mm WIDTH CARRIER TAPE

24	29.4	25.4	13.4	16.3	52559-2253	22
			11.4	14.3	52559-1853	18
			10.4	13.3	52559-1653	16
			8.9	11.8	52559-1353	13
			6.4	9.3	52559-0853	8
キャリアテープ幅 CARRIER TAPE WIDTH	D	C	(B)	(A)	MATERIAL NO.	CIRCUIT NO.

REVISED EC NO: J2016-0020 DRWN: YUHASEGAWA 2015/07/06 CHKD: APPR: YNOGAWA 2015/07/10	GENERAL TOLERANCES (UNLESS SPECIFIED)		DIMENSION STYLE MM ONLY		SCALE ---	DESIGN UNITS METRIC	THIRD ANGLE PROJECTION
	0.25 UNDER	UNDER	±0.03	DRAWN BY MNABEI	DATE '05/04/27	TITLE 0.5 FPC CONN ASSY ZIF FOR SMT EMBSTP PKG -LEAD FREE-	
	0.25 OVER	0.5 UNDER	±0.05	CHECKED BY KTOJO	DATE '05/04/27		
	0.5 OVER	1.0 UNDER	±0.1	APPROVED BY NUKITA	DATE '05/04/27		
	1.0 OVER	10 UNDER	±0.2	MATERIAL NO.	DOCUMENT NO.	SHEET NO.	
30 OVER		±0.3	SEE CHART	SD-52559-050	2 OF 3		
ANGULAR ±3 °			SIZE A3		THIS DRAWING CONTAINS INFORMATION THAT IS PROPRIETARY TO MOLEX INCORPORATED AND SHOULD NOT BE USED WITHOUT WRITTEN PERMISSION		
DRAFT WHERE APPLICABLE MUST REMAIN WITHIN DIMENSIONS							



32	37.4	33.4	18.9	21.8	52559-3353	33
キャリアテープ幅 CARRIER TAPE WIDTH	D	C	(B)	(A)	MATERIAL NO.	CIRCUIT NO.

REVISED EC NO: J2016-0020 DRWN: YUHASEGAWA 2015/07/06 CHKD: APPR: YNOGAWA 2015/07/10	GENERAL TOLERANCES (UNLESS SPECIFIED)		DIMENSION STYLE		SCALE	DESIGN UNITS	THIRD ANGLE PROJECTION
	0.25 UNDER UNDER ±0.03		MM ONLY		---	METRIC	☉
	0.25 OVER 0.5 UNDER ±0.05		DRAWN BY DATE		TITLE		
	0.5 OVER 1.0 UNDER ±0.1		MNABEI '05/04/27		0.5 FPC CONN ASSY ZIF FOR SMT EMBSTP PKG -LEAD FREE-		
1.0 OVER 10 UNDER ±0.2		CHECKED BY DATE		DRAWN BY DATE			molex DOCUMENT NO. SD-52559-050 SHEET NO. 3 OF 3
10 OVER 30 UNDER ±0.25		KTOJO '05/04/27		CHECKED BY DATE			
30 OVER ±0.3		APPROVED BY DATE		APPROVED BY DATE			
ANGULAR ±3 °		NUKITA '05/04/27		MATERIAL NO.			
DRAFT WHERE APPLICABLE MUST REMAIN WITHIN DIMENSIONS		SEE CHART		THIS DRAWING CONTAINS INFORMATION THAT IS PROPRIETARY TO MOLEX INCORPORATED AND SHOULD NOT BE USED WITHOUT WRITTEN PERMISSION			