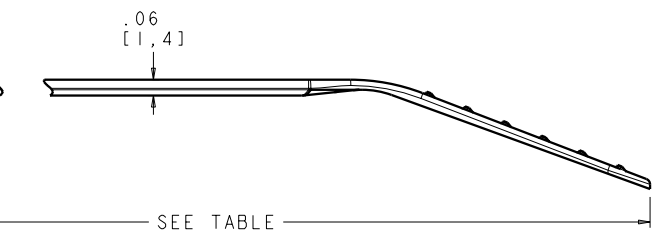
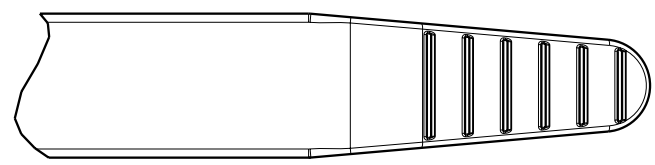
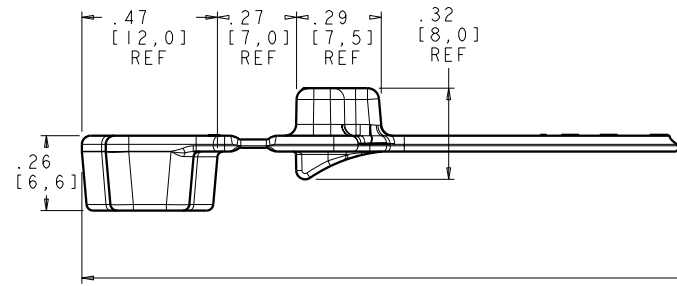
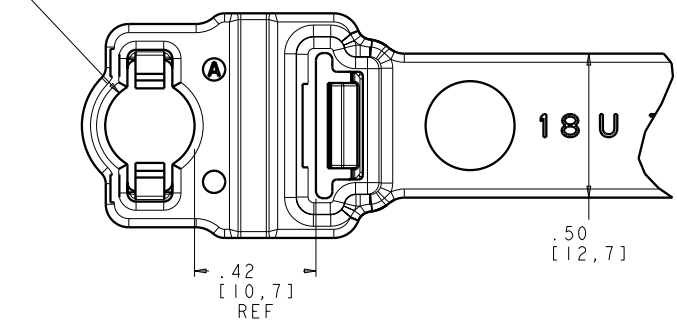
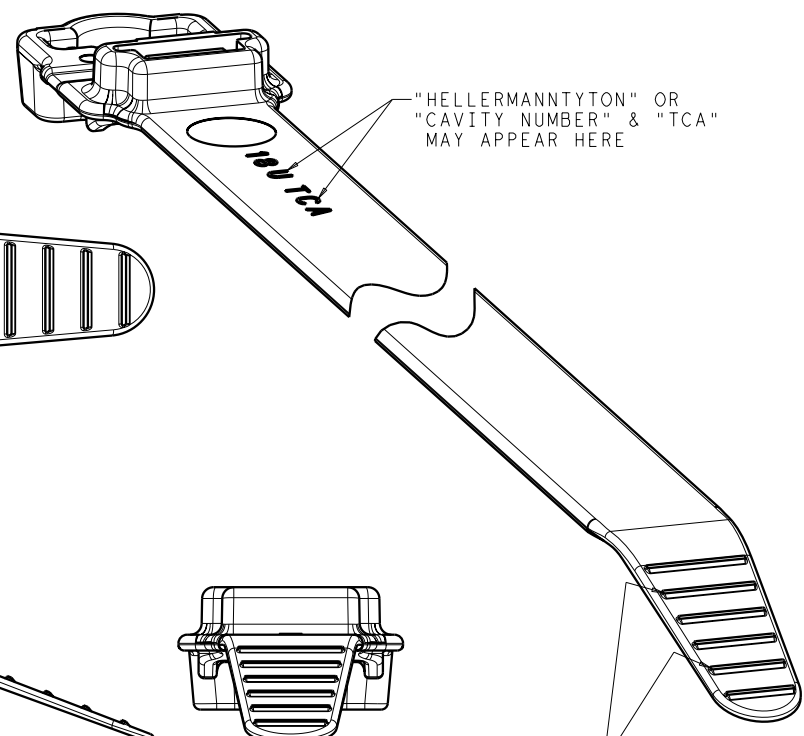


M8X1.25 STUD MOUNT REF

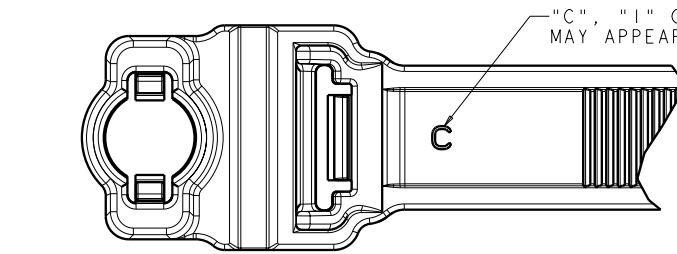


SEE TABLE

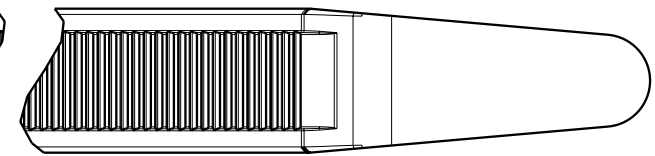


"HELLERMANN TYTON" OR "CAVITY NUMBER" & "TCA" MAY APPEAR HERE

6 OR 13 SERRATIONS MAY APPEAR HERE



"C", "1" OR "2" MAY APPEAR HERE



- △ PERFORMANCE REQUIREMENTS (Dry as Molded):
1. STRAP INSERTION < 5 lb.
 2. MINIMUM WIRE BUNDLE DIAMETER = 3/8"
 3. LOOP TENSILE > 120 lb.
 4. STUD INSERTION < 20lb.
 5. STUD PULLOUT > 70lb.

PART NUMBER	OVERALL LENGTH	MAX BUNDLE DIA
WSS8MM	9.7/(246.4) REF	2.25/(57) REF
WSI8MM	12.7/(322.6) REF	3.25/(83) REF
WSR8MM	15.7/(398.8) REF	4.125/(105) REF

HellermannTyton®

ALL PROPRIETARY RIGHTS IN THE SUBJECT MATTER SHOWN ON THIS DRAWING ARE EXCLUSIVE PROPERTY OF HELLERMANN TYTON

name	date	city, state
G GEIGER	3/17/03	JACKSON, WI

REVISION

DR level ⁰⁶

AW by GGG

IN date 11/25/09

GCN # 011439

part level A

DIMENSIONS

TOLERANCES

.XXXX= ±0.005/[.127]

.XXX= ±0.010/[.25]

.XX= ±0.02/[.5]

.X= ±0.25/[6.4]

∠= ±0.5

unless otherwise specified

units inches/[mm]

PART

number see table phase PRODUCTION

name

WIDE STRAP TIE
W/ M8X1.25 STUD MOUNT

material IMPACT MODIFIED, HEAT STABILIZED
UV RESISTANT, NYLON 6/6
BLACK

DRAWING

FORMAT AH version J	CAD PRO-E	scale 3/2
computer file number	previous number	
drawn G GEIGER	checked K Christian	approved
date 4/4/06	11/25/09	
type CUSTOMER	sheet 1 of 1	
number CT06-012-001CST		

Product Number
Cross Reference Record

Uncontrolled Document

Pre-UNS Number System	(New) UNS Universal Number System	Customer Part Number
Product Number -	Product Number 150-77299	Product Number -
Reference Drawing Number: 24418664		

Issued By:	(New) UNS Product Number	Issue Date:
HellermannTyton	Universal Numbering System	April 21, 2011