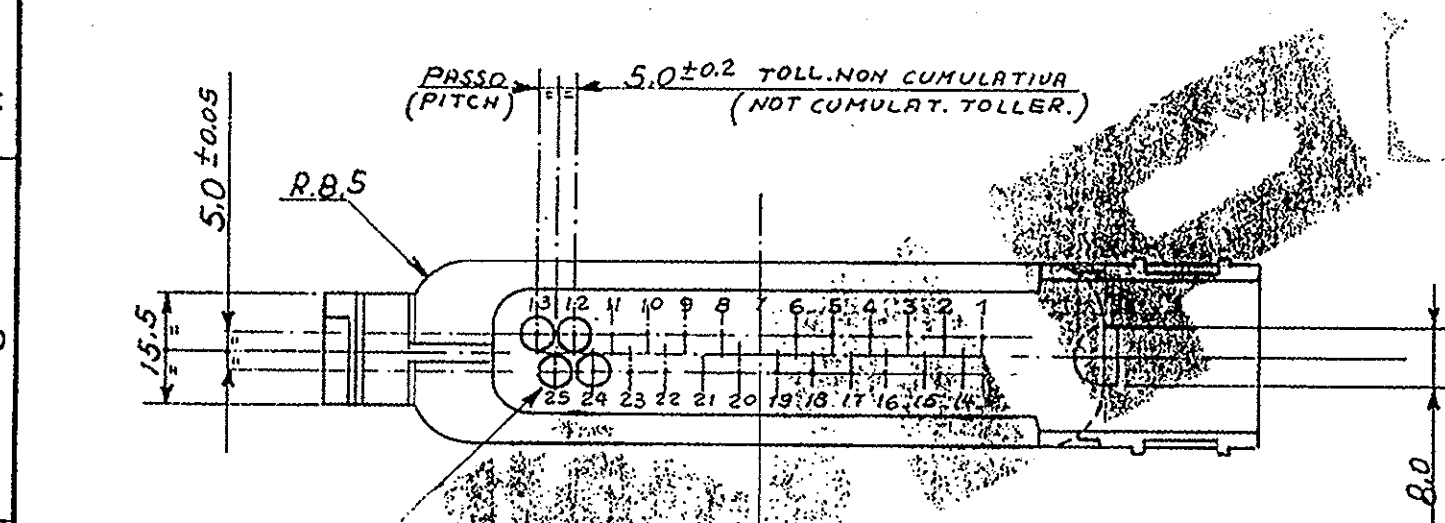
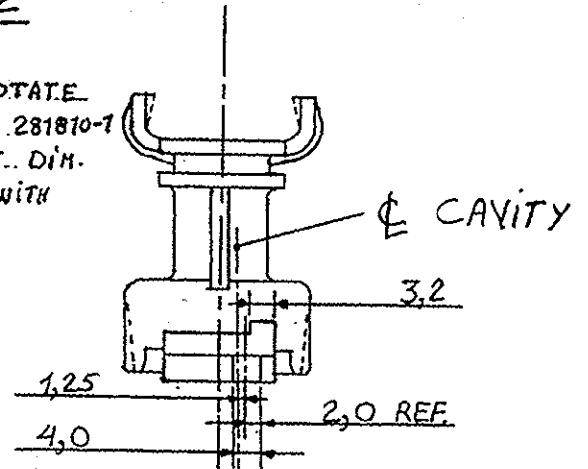


GUARNIZIONE PRE ASSEMBLATA (PRE ASSEMBLED SEALING)



281810-2

PARTI NON QUOTATE IN COMUNE CON 281810-1 (PARTS WITHOUT DIM. ARE COMMON WITH 281810-1)



NERO (BLACK)	PA.CARIC. (G.F. PA 66)	281810-2
NERO (BLACK)	PA.CARIC. (G.F. PA 66)	281810-1
FINITURA / COLORE (FINISH / COLOUR)	MATERIALE (MATERIAL)	NUMERO (PART NUMBER)

CUSTOMER DWG. FOR REFERENCE ONLY **DISEGNO PER CLIENTE SOLO PER RIFERIMENTO**

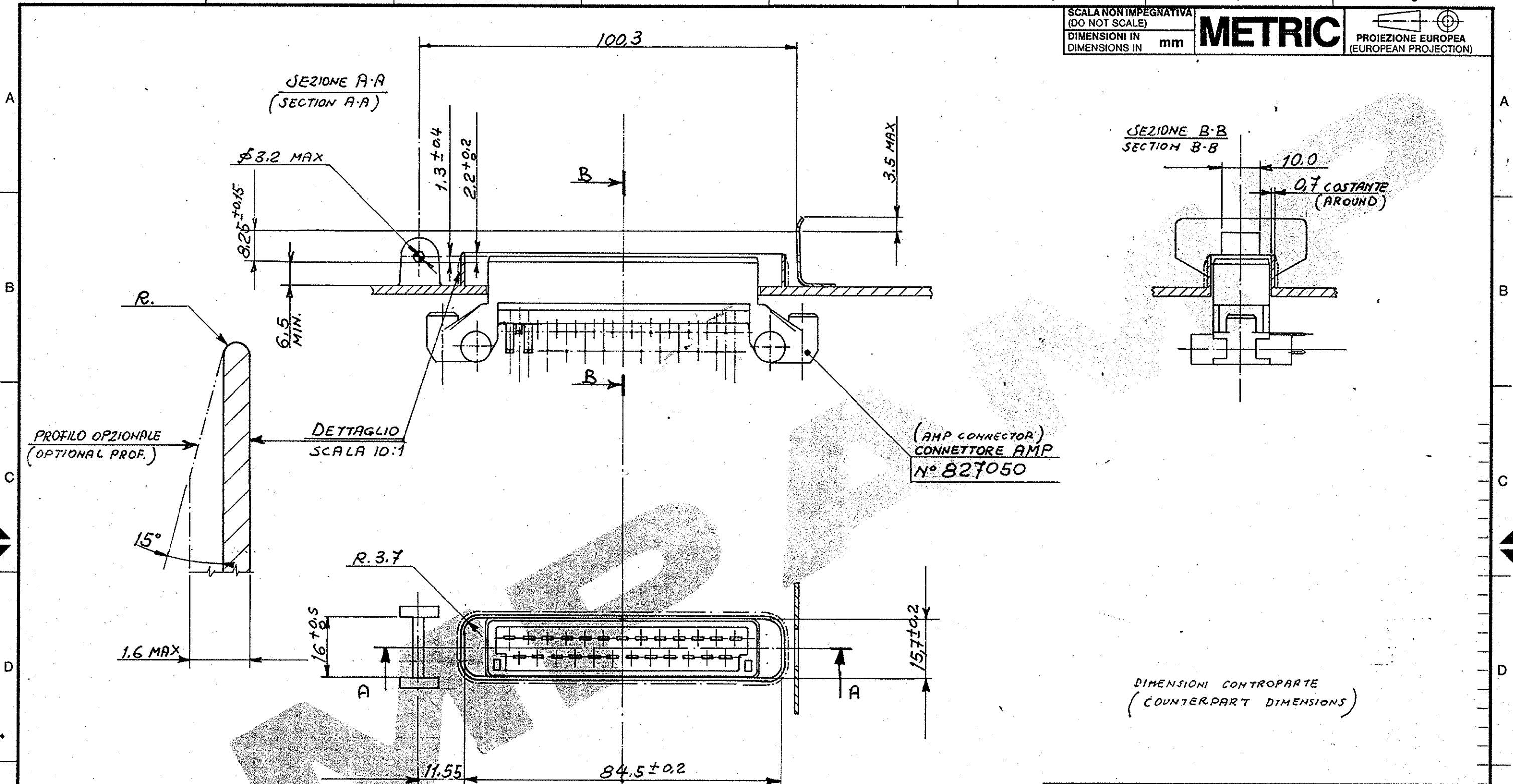
REV.	REVISIONI (REVISION RECORD)	DATA (DATE)
6	REVISIONATO	06-3-2004
5	REVISIONATO	10-02-2003
4	REVISIONATO	07-02-2003
3	Aggiorn. foglio 2	07-02-2003
2	N° DIS. ERA IA-86-5005	17-9-86
1	REVISIONATO E RIDISEGN.	17-9-86

THIS DRAWING IS UNPUBLISHED		RELEASE FOR PUBLICATION	18
© COPYRIGHT 1986 BY AMP INCORPORATED, HARRISBURG, PA ALL INTERNATIONAL RIGHT RESERVED AMP PRODUCTS MAY BE COVERED BY U.S. AND FOREIGN PATENT AND/OR PATENT PENDING			
TOLLERANZE: SE NON DIVERSAMENTE SPECIFICATO (TOLERANCES UNLESS OTHERWISE SPECIFIED)	DIAM. ISOLANTE (INS. DIA. RANGE)	RANGO FILO (WIRE RANGE)	SCALA (SCALE)
± 0.3	—	—	1:1

AMP		AMP ITALIA S.p.A. Corso F.lli Cervi, 16 COLLEGNO (TORINO)	
DESCRIZIONE (DESCRIPTION)		25 POS. SPLASH PROOF	
CONT. (CHK)		17 LUGLIO 1986	
APP. (APP.)		APP. DATA	
LOC. SIZE	NUMERO (DWG NO)	REV.	FOLGIO (SHEET)
IA3	C-281810	D	1 OF 2

CAVITÀ ADATTA PER CONTATTI JUNIOR TIMER 281822-281823
 (CAVITY SUITABLE FOR CONTACTS JUNIOR TIMER AND/OR J.P.T.)
 182730 - 182732 - 182731

CON GUARNIZIONI WITH RUBBER SEALS)



DIMENSIONI CONTROPARTE
 (COUNTERPART DIMENSIONS)

FINITURA / COLORE (FINISH / COLOUR)	MATERIALE (MATERIAL)	NUMERO (PART NUMBER)
CUSTOMER DWG. FOR REFERENCE ONLY		DISEGNO PER CLIENTE SOLO PER RIFERIMENTO
THIS DRAWING IS UNPUBLISHED		RELEASE FOR PUBLICATION 19
© COPYRIGHT 19 BY AMP INCORPORATED, HARRISBURG, PA ALL INTERNATIONAL RIGHT RESERVED AMP PRODUCTS MAY BE COVERED BY U.S. AND FOREIGN PATENT AND/OR PATENT PENDING		
TOLLERANZE: SE NON DIVERSAMENTE SPECIFICATO (TOLERANCES UNLESS OTHERWISE SPECIFIED)	DIAM. ISOLANTE (INS. DIA. RANGE)	RANGO FILO (WIRE RANGE)
± 0,3	1"	1"
ANGOLI (ANGLES) ± 2°	AMP AMP ITALIA S.p.A. Corso F.lli Cervi, 15 COLLEGNO (TORINO)	
DIS. (DR.) <i>19-986</i>	DESCRIZIONE (DESCRIPTION) 25 POS. SPLASH PROOF (WITH OPT. SEAL)	
CONT. (CHK.)	CONN. FOR JUNIOR TIMERC. 90° VERSION	
3 8.25 ± 0.15 era 8.25 ± 0.1	LOC. SIZE	NUMERO (DWG NO)
REV. (APP.)	IA3	C-281810
REVISIONI (REVISION RECORD)	REV. (APP.)	FOGLIO (SHEET) 2 DI 2 (OF)

DISTRIBUZIONE (PRINT DIST.)