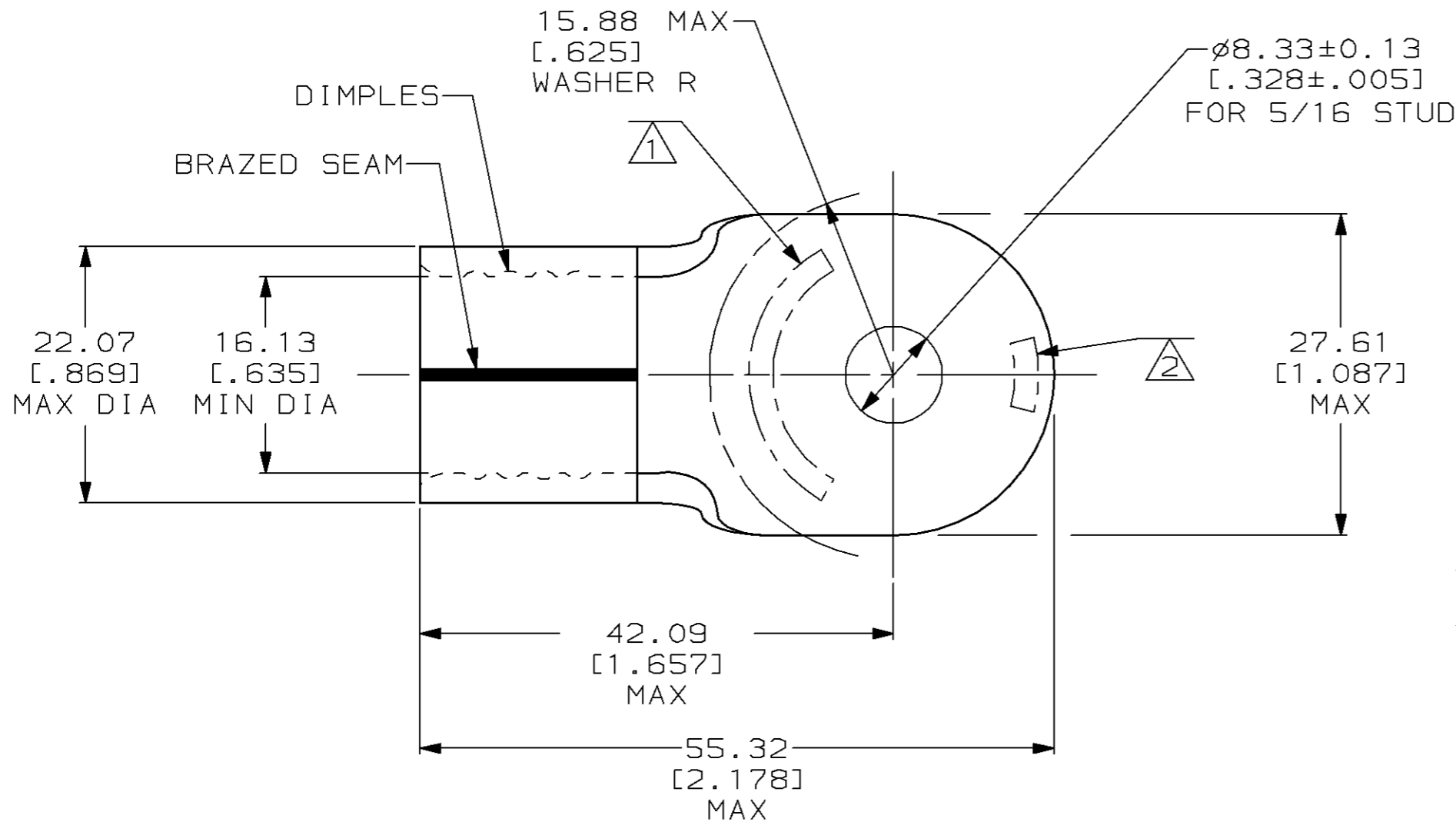


THIS DRAWING IS UNPUBLISHED. RELEASED FOR PUBLICATION, 19 .  
 © COPYRIGHT 19 BY AMP INCORPORATED. ALL INTERNATIONAL RIGHTS RESERVED.

LOC G	DIST 14	P	F	REVISIONS			DATE	APPD
				ZONE	LTR	DESCRIPTION		
					0	RELEASED PER PR 98-59	26JUL98	MLE SU



<b>AMP</b> WIRE RANGE	E13288 Listed
4/0 AWG SOLID OR STRANDED	N/A -
LR7189 Certified	MILITARY P/N AND CLASS
N/A -	N/A -

- ① STAMP AMP 4/0W\* APPROX AS SHOWN
- ② STAMP AMP 200 APPROX AS SHOWN
- 3 MATERIAL THK: 2.59 ± 0.08 [.102 ± .003]

<b>AMP INCORPORATED</b> CUSTOMER SERVICE SYSTEMS		MAX RECOMMENDED OPERATING TEMPERATURE: 170°C MAX		DO NOT SCALE PRINT, UNLESS SPECIFIED DIMENSIONS IN mm [INCHES] TOLERANCES ON: 2 PLC DEC ± 0.20 [.008] 3 PLC DEC ± - ANGLES ± -		DR 27JUL98 ML ELLIS		696055-1 PART NO	
FOR ADDITIONAL PRODUCT INFORMATION OR COPIES OF DRAWINGS AND TECHNICAL DOCUMENTS	PRODUCT INFORMATION CENTER 1-800-522-6752	VOLTAGE RATING: NOT APPLICABLE		MATERIAL COPPER PER ASTM B-152 ANNEALED		CHK 27JUL98 RD HEIM		<b>AMP</b> AMP Incorporated Harrisburg, PA 17105-3608	
FOR APPLICATION TOOLING INFORMATION	TOOLING ASSISTANCE CENTER 1-800-722-1111	WIRE CROSS SECTIONAL AREA RANGE: 96.3-117.0mm <sup>2</sup> [190,000-231,100] CIR MILS SOLID OR STRANDED		FINISH TIN PLATE 0.00254 [.000100] MIN THK PER MIL-T-10727		APPD 27JUL98 S UNGER		NAME TERMINAL, RING TONGUE, SOLISTRAND™	
FOR ORDER ENTRY	1-800-526-5142	THIS DRAWING IS A CONTROLLED DOCUMENT FOR AMP INCORPORATED. IT IS SUBJECT TO CHANGE AND THE CONTROLLING ENGINEERING ORGANIZATION SHOULD BE CONTACTED FOR THE LATEST REVISION.				APPD 27JUL98 T NICHIELUTTI		SIZE [B] CAGE CODE 00779 DRAWING NO [C]-696055	
						PRODUCT SPEC -		SCALE 2:1 SHEET 1 OF 1	
						APPLICATION SPEC -			
						WEIGHT -			