

THIS DRAWING IS UNPUBLISHED. RELEASED FOR PUBLICATION  
 © COPYRIGHT BY TYCO ELECTRONICS CORPORATION. ALL RIGHTS RESERVED.

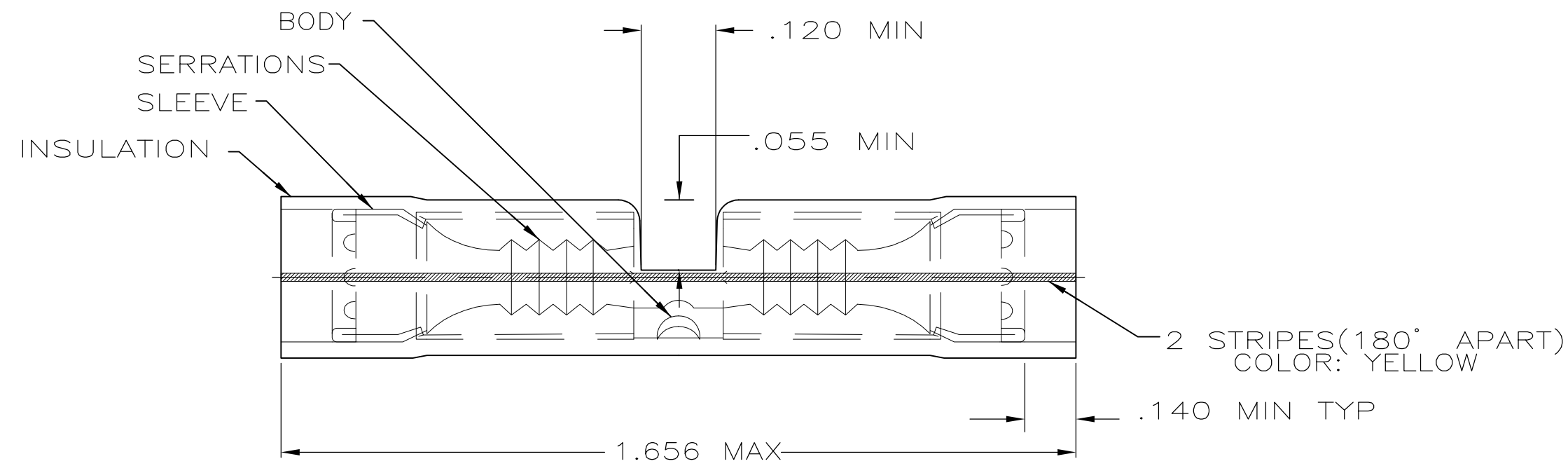
LOC	DIST	REVISIONS					
		P	LTR	DESCRIPTION	DATE	DWN	APVD
G	14		A1	REV PER ECR 07-016469	18JUL07	JR	TM

**AMP**  
WIRE RANGE

---

12-10 AWG  
STRANDED

- 1 WIRE INSULATION DIA .150 TO .220.
- 2 FINISH: BODY AND SLEEVE:  
TIN PLATE PER ASTM B545.
- 3 MATERIAL: BODY AND SLEEVE,  
COPPER PER ASTM B152  
INSULATION: PVF<sup>2</sup>  
COLOR- NATURAL



M7928/6-5 CLASS 2	500	LOOSE PIECE	696429-1
MILITARY P/N & CLASS	QTY	PACKAGE TYPE	PART NO.

<b>AMP INCORPORATED CUSTOMER SERVICE SYSTEMS</b>		MAX RECOMMENDED OPERATING TEMPERATURE: 150°C
FOR ADDITIONAL PRODUCT INFORMATION OR COPIES OF DRAWINGS AND TECHNICAL DOCUMENTS	PRODUCT INFORMATION CENTER 1-800-522-6752	VOLTAGE RATING: -
FOR APPLICATION TOOLING INFORMATION	TOOLING ASSISTANCE CENTER 1-800-722-1111	CIRCULAR MIL AREA: 2.62-6.64mm <sup>2</sup> [5,180-13,100] STRANDED
FOR ORDER ENTRY	1-800-526-5142	THIS DRAWING IS A CONTROLLED DOCUMENT FOR AMP INCORPORATED. IT IS SUBJECT TO CHANGE AND THE CONTROLLING ENGINEERING ORGANIZATION SHOULD BE CONTACTED FOR THE LATEST REVISION.

THIS DRAWING IS A CONTROLLED DOCUMENT.	
DIMENSIONS: INCHES	TOLERANCES UNLESS OTHERWISE SPECIFIED:
	0 PLC ± -
	1 PLC ± -
	2 PLC ± .008
	3 PLC ± -
	4 PLC ± -
	ANGLES ± -
MATERIAL	FINISH
- 3	- 2

DWN JR RUTH 19AUG05	Tyco Electronics Corporation Harrisburg, Pa 17105-3608	
CHK T MICHIELUTTI 19AUG05	NAME SPLICE, BUTT, PVF2 , P.I.D.G. WIRE SIZE: 12-10 AWG	
APVD T MICHIELUTTI 19AUG05	PRODUCT SPEC -	APPLICATION SPEC -
PRODUCT SPEC	SIZE A3	CAGE CODE 00779
APPLICATION SPEC	DRAWING NO G-696429	RESTRICTED TO -
WEIGHT -	CUSTOMER DRAWING	
SCALE 1:1	SHEET 1 OF 1	REV A1