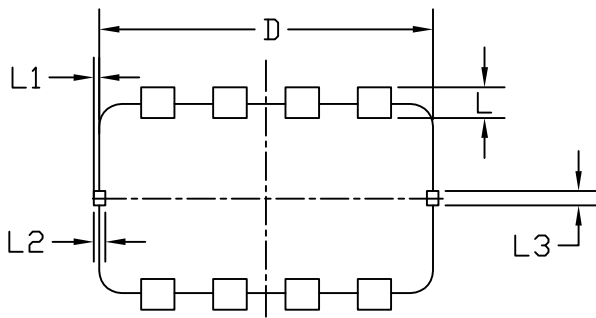
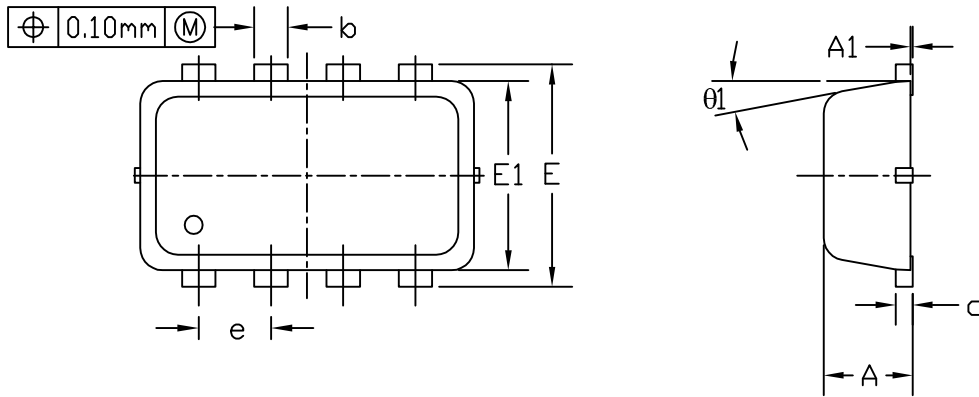


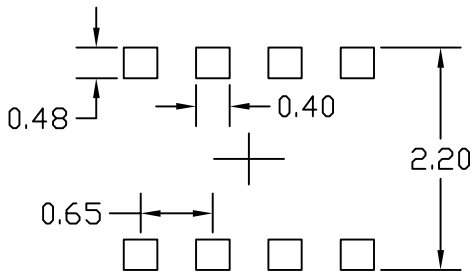


DFN3x2A_8L_NEP_P PACKAGE OUTLINE



BOTTOM VIEW

RECOMMENDED LAND PATTERN



UNIT: mm

SYMBOLS	DIMENSIONS IN MILLIMETERS			DIMENSIONS IN INCHES		
	MIN	NOM	MAX	MIN	NOM	MAX
A	0.70	0.80	0.90	0.028	0.031	0.035
A1	0.00	—	0.05	0.000	—	0.002
b	0.24	0.30	0.35	0.009	0.012	0.014
c	0.08	0.15	0.25	0.003	0.006	0.010
D	3.00 BSC			0.118 BSC		
E	2.00 BSC			0.079 BSC		
E1	1.70 BSC			0.067 BSC		
e	0.65 BSC			0.026 BSC		
L	0.20	0.28	0.40	0.008	0.011	0.016
L1	0	—	0.10	0	—	0.004
L2	0.055	0.105	0.155	0.002	0.004	0.006
L3	0.08	0.130	0.180	0.003	0.005	0.007
theta1	0°	10°	12°	0°	10°	12°

NOTE

1. PACKAGE BODY SIZES EXCLUDE MOLD FLASH AND GATE BURRS.
MOLD FLASH AT THE NON-LEAD SIDES SHOULD BE LESS THAN 6 MIL EACH.
2. CONTROLLING DIMENSION IS MILLIMETER.
CONVERTED INCH DIMENSIONS ARE NOT NECESSARILY EXACT.
3. TIE BARS ARE CONNECTED TO DRAIN LEADS.