

FD series

Double icon illuminated pushbuttons - bushing \varnothing 24 or 26 mm - momentary or latching

Distinctive features and specifications

FD1705A-R1



- Double icon actuator
- Snap-in and threaded bushing models
- Suited for integrated designs
- Large but lightweight
- Sealed to IP69K (threaded bushing version)

ELECTRICAL SPECIFICATIONS

- Max. current/voltage rating with resistive load :
 - silver contacts (code 2) : 4A 12VDC
 - gold plated contacts (code 4) : 200mA 12VDC
- Initial contact resistance : 50 m Ω max.
- Insulation resistance : 1 G Ω min. at 500VDC
- Dielectric strength : 1.000 Vrms 50 Hz min.
- Electrical life at full load :
 - Momentary models : 1 million cycles (gold plated contacts)
400.000 cycles (silver contacts)
 - Latching models : 200.000 cycles

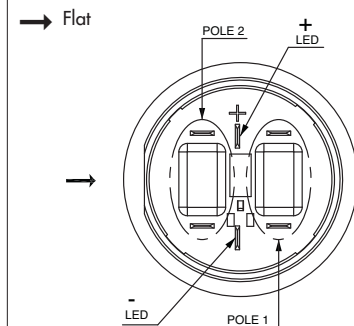
MATERIALS

- Case : PA46
- Actuator : PA12
- Bushing/ bezel : PA66
- Contacts : silver (code 2)
or silver, gold plated (code 4)

GENERAL SPECIFICATIONS

- Front panel sealing :
 - Threaded bushing version : IP69K according to DIN 40050-9
 - Snap-in version : IP54 according to IEC 60529 with panel gasket and 2 mm panel thickness
- Panel thickness :
 - Snap-in version : 1,5 (.059) to 2 mm (.078) with panel gasket
2 (.078) to 2,5 mm (.885) without panel gasket
 - Threaded bushing version : 1(.039) to 18 mm (.708) max.
- Total travel : 2,5 mm \pm 0,5 mm
- Typical operating force : 8N \pm 2N
- Low level or mechanical life :
 - Momentary models : 1 million cycles
 - Latching models : 200.000 cycles
- Torque : 3 Nm max. applied to nut
- Operating temperature : -40°C to +75°C

WIRING DIAGRAM

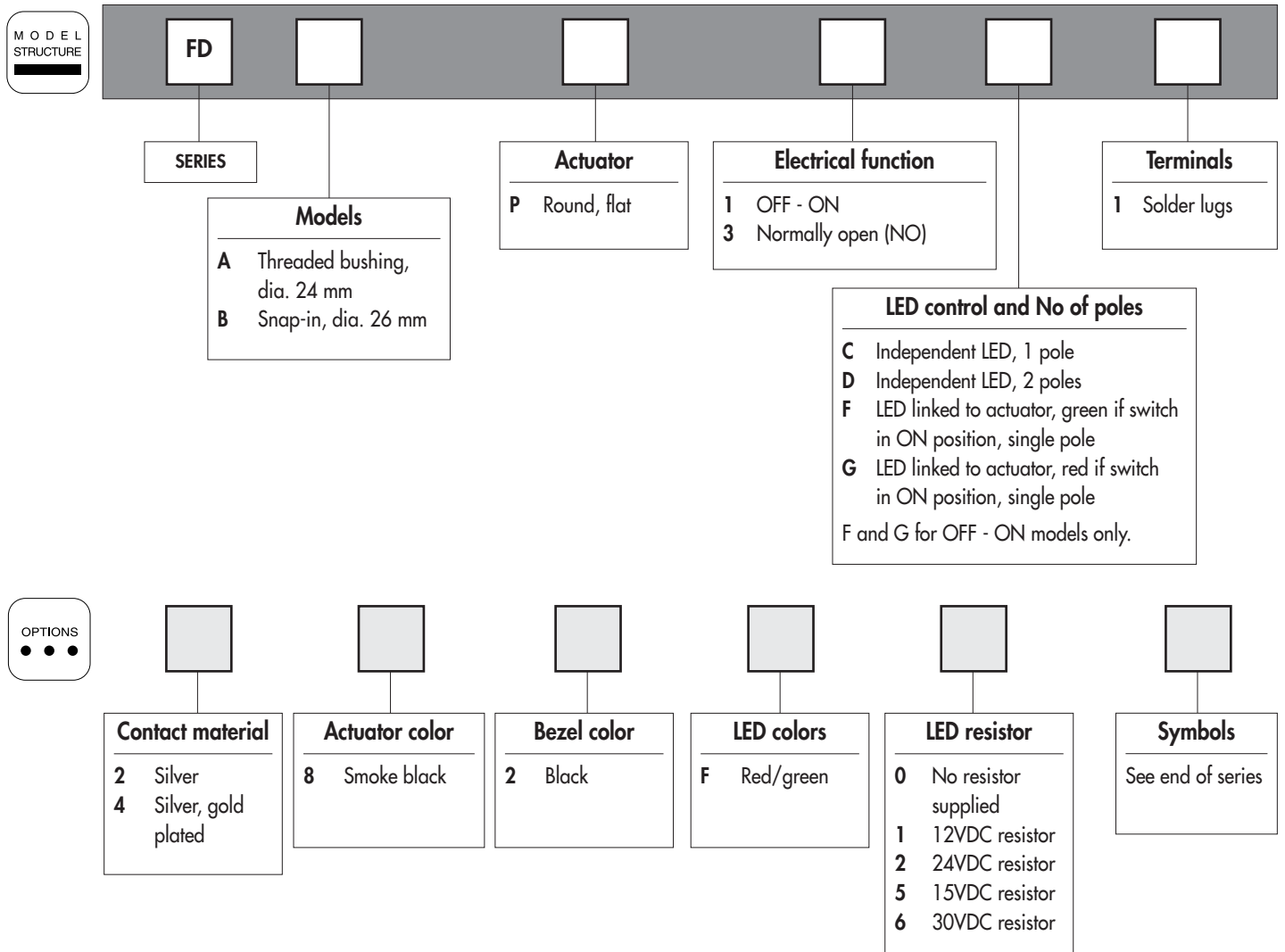


The company reserves the right to change specifications without notice.

FD series

Double icon illuminated pushbuttons - bushing Ø 24 or 26 mm - momentary or latching

Overview



ABOUT THIS SERIES

On the following pages, you will find successively :
model structure of switches and options in the same order as in above chart

Dimensions : first dimensions are in mm while inches are shown as bracketed numbers.



NOTICE : please note that not all combinations of above numbers are available.
Refer to the following pages for further information.



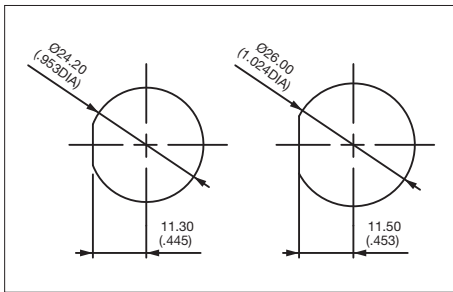
Mounting accessories : Standard hardware supplied : 1 hex nut (threaded bushing version) and 1 panel gasket



Packaging unit : 20 pieces

FD series

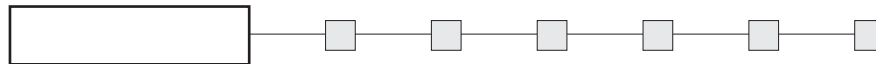
Double icon illuminated pushbuttons - bushing Ø 24 or 26 mm - momentary or latching



- Solder lugs
- Flat actuator

To order a product, replace • with one of the codes selected under "LED control and number of poles" below, then add the desired options.

MODEL STRUCTURE



Mounting by threaded bushing - Ø 24 mm

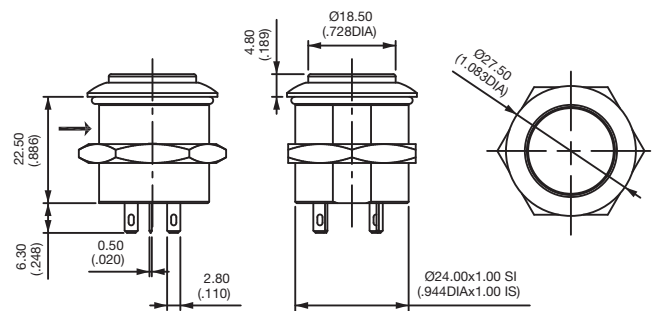
→ Flat



LATCHING
FDAP1•1

OFF ON

MOMENTARY (NO)
FDAP3•1



Snap-in mounting - Ø 26 mm

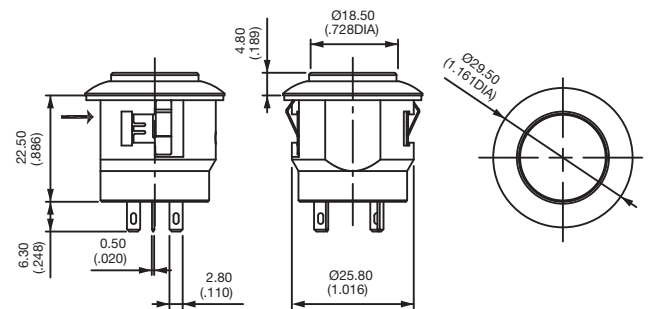
→ Flat



LATCHING
FDBP1•1

OFF ON

MOMENTARY (NO)
FDBP3•1



LED CONTROL AND NUMBER OF POLES

Complete the model numbers above with one of the following codes.

	Function 1 (latching)	Function 3 (momentary)		Function 1 (latching)
Independent LED single pole C			Green LED in ON position single pole F	
Independent LED double pole D			Red LED in ON position single pole G	

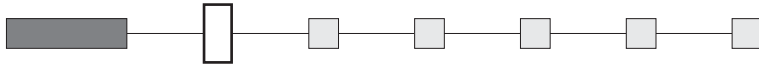
dotted line = jumper to be wired by the user.
LED- has to be wired to one pin of pole 2.

FD series

Double icon illuminated pushbuttons - bushing Ø 24 or 26 mm - momentary or latching

Options

CONTACT MATERIALS



- 2 Silver
- 4 Silver, gold plated

ACTUATOR COLOR



- 8 Smoke black

BEZEL COLOR



- 2 Black

LED COLOR



- F Red/green

LED RESISTOR



- 0 No resistor supplied
- 1 12VDC resistor
- 2 24VDC resistor
- 5 15VDC resistor
- 6 30VDC resistor

SYMBOLS



3	START (green) / STOP (red) with ring	 
4	ON (green) / OFF (red) with ring	 
5	I (green) / O (red) with ring	 

