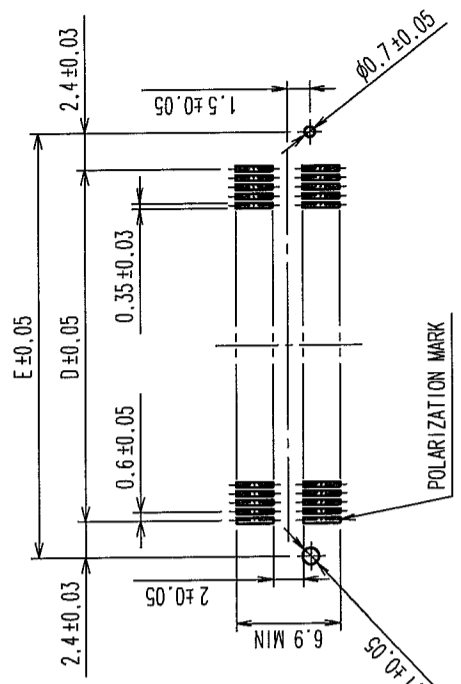


COUNT	DESCRIPTION OF REVISIONS	BY	CHKD	DATE	COUNT	DESCRIPTION OF REVISIONS	BY	CHKD	DATE
3	RE-F-09671	K.N	H.Y	04.04.08					

RECOMMENDED LAND PATTERN DIMENSION OF P.C.B. (MOUNTING SIDE)

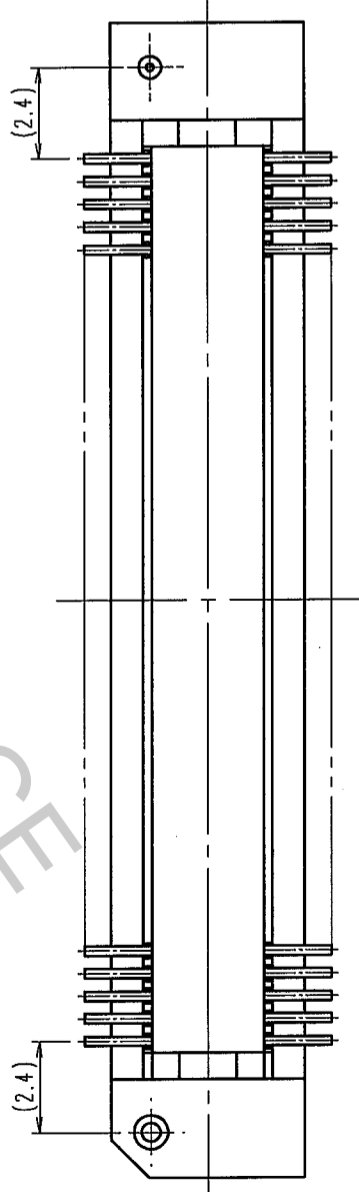
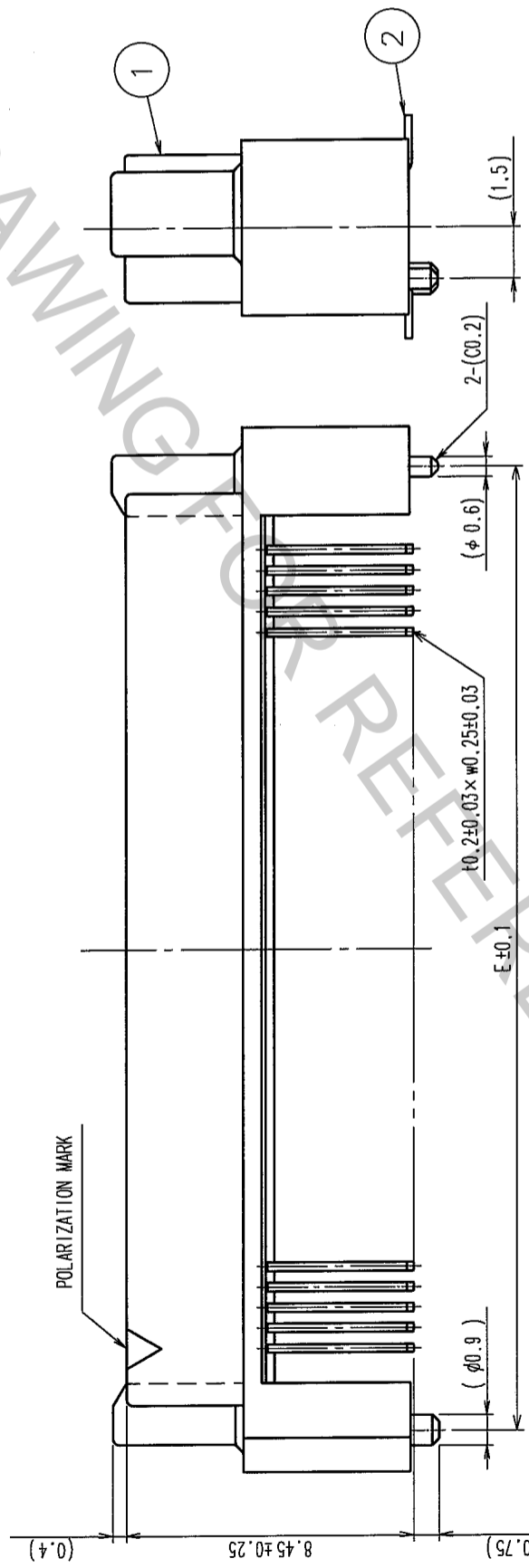
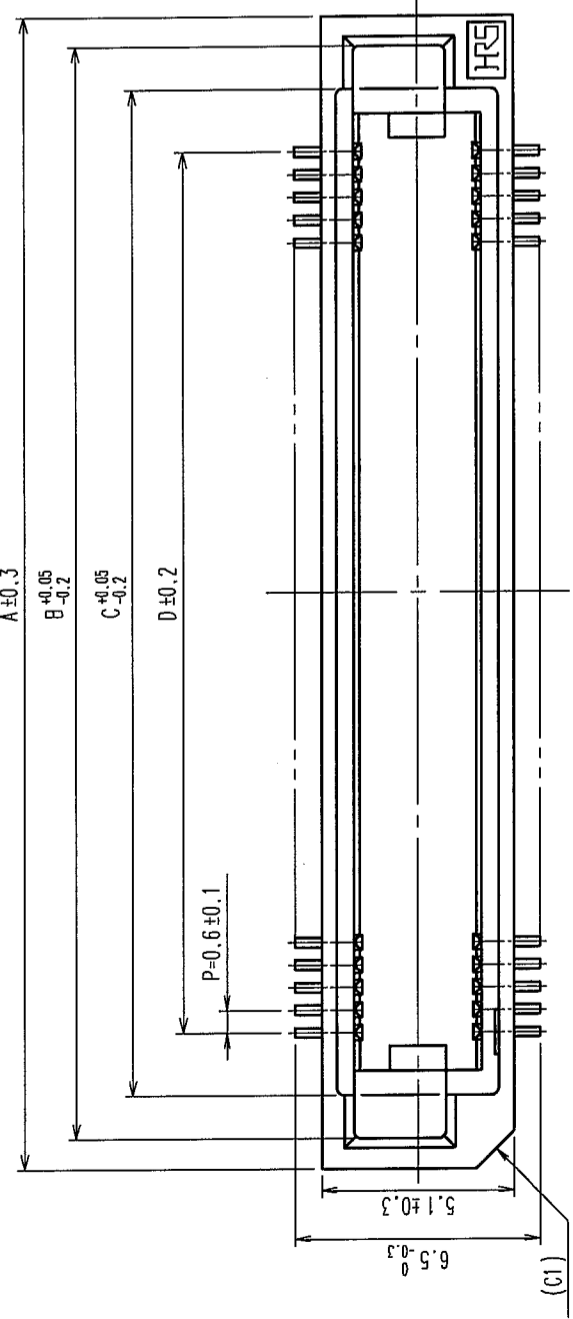


DIMENSION TABLE OF CONNECTOR AND P.C.B. LAND PATTERN.

PART No.	CODE No.	A	B	C	D	E
FX8C-60P-SV4(92)	CL578-0581-8-92	60	24.60	23.00	20.70	17.40
FX8C-80P-SV4(92)	CL578-0583-3-92	80	30.60	29.00	26.70	23.40
FX8C-100P-SV4(92)	CL578-0585-9-92	100	36.60	35.00	32.70	29.40
FX8C-120P-SV4(92)	CL578-0586-1-92	120	42.60	41.00	38.70	35.40
FX8C-140P-SV4(92)	CL578-0587-4-92	140	48.60	47.00	44.70	41.40

- NOTE 1. LEAD CO-PLANARITY SHALL BE 0.1mm MAX.
 2. EMBOSSED CARRIER TAPE PACKAGING SHALL BE APPLIED FOR THIS PRODUCT. SEE NEXT PAGE FOR DETAILS.
 3. FOR MODIFICATION, ETC., PREVENTIVE HOLE FOR SINK MARK MAY BE ADDED ACCORDING TO CIRCUMSTANCES.
 4. THE DIMENSIONS IN PARENTHESES ARE FOR REFERENCE.
 5. NUMBER OF CONTACTS.

NO.	MATERIAL	FINISH, REMARKS	NO.	MATERIAL	DESIGNED	CHECKED	APPROVED	RELEASED
1	PPS	LIGHT BROWN (UL94V-0)	2	PHOSPHOR BRONZE	K. NAKAMURA	H. OKAWA	Y. YOSHIMURA	
CODE NO. (OLD) CL		DRAWN S. SUZUKI		DESIGNED K. NAKAMURA		APPROVED H. OKAWA		RELEASED Y. YOSHIMURA
		FINISH, REMARKS		NO.		MATERIAL		FINISH, REMARKS
				03.02.04		03.02.12		03.02.14
DRAWING NO. EDC3-151089-22		PART NO. FX8C-**P-SV4(92)						
SCALE FREE		UNITS mm						
		HIROSE ELECTRIC CO., LTD		CL578				1/2

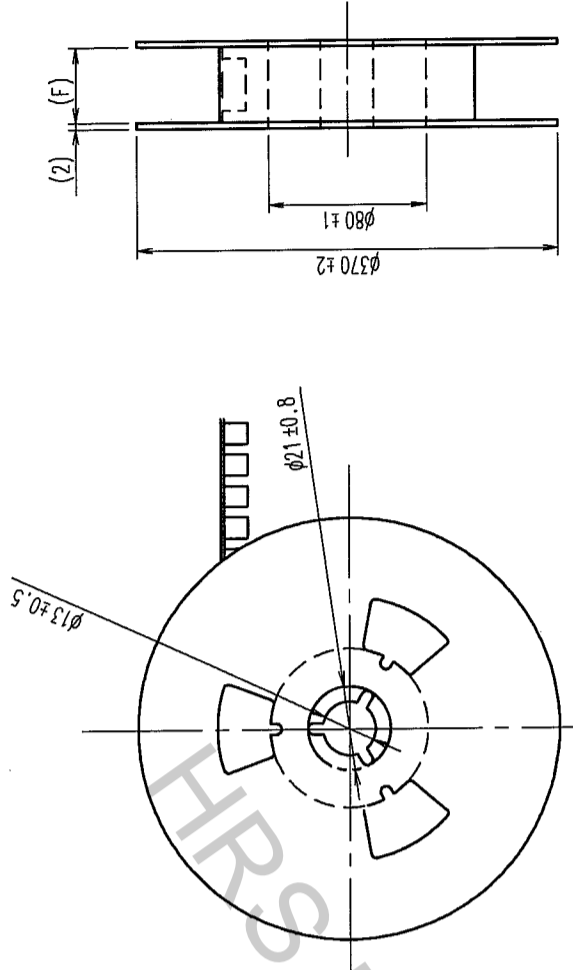
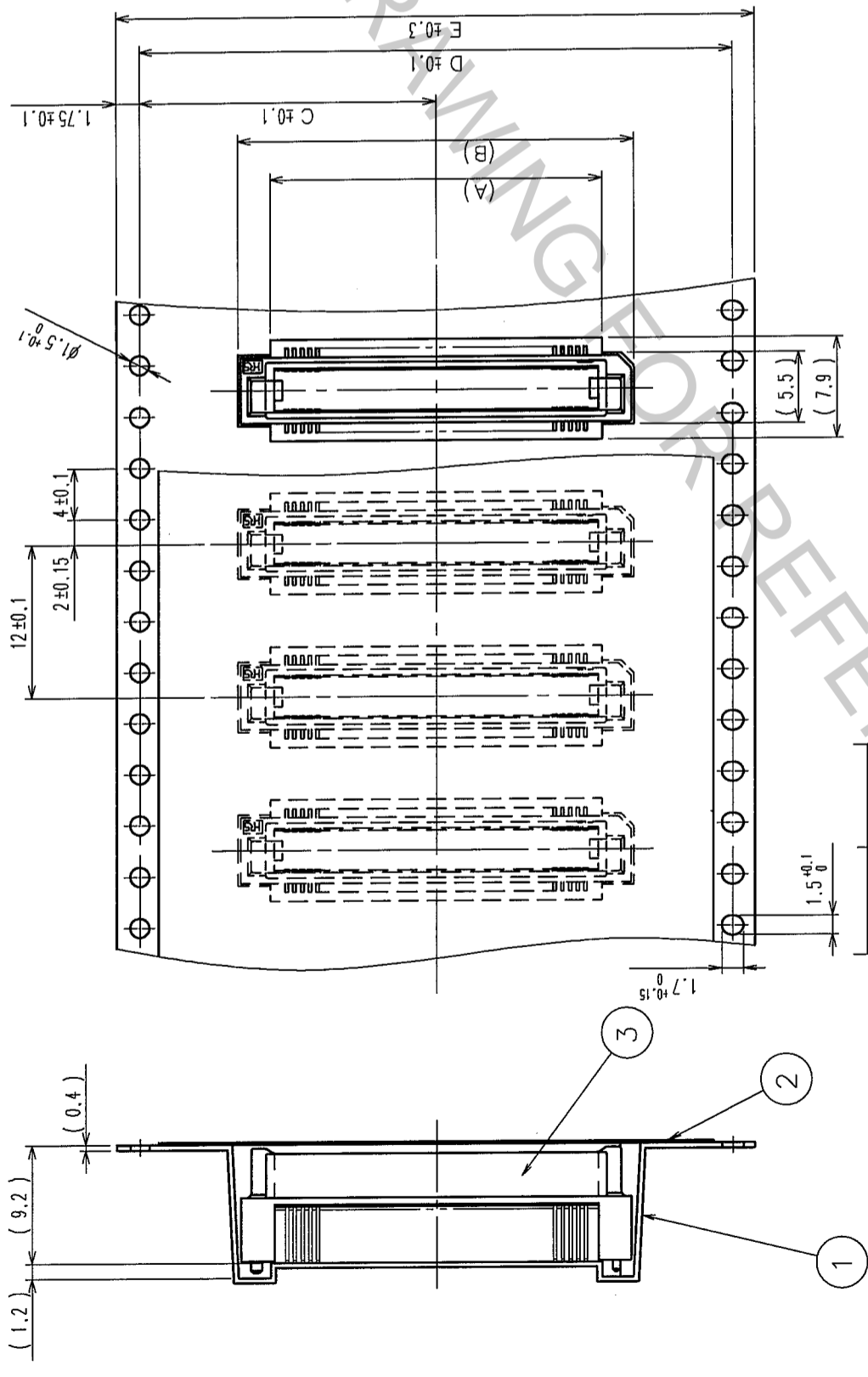


TO	
PCK	

COUNT	DESCRIPTION OF REVISIONS	BY	CHKD	DATE	COUNT	DESCRIPTION OF REVISIONS	BY	CHKD	DATE
△					△				
△					△				
△					△				

UNREELING DIRECTION
↑

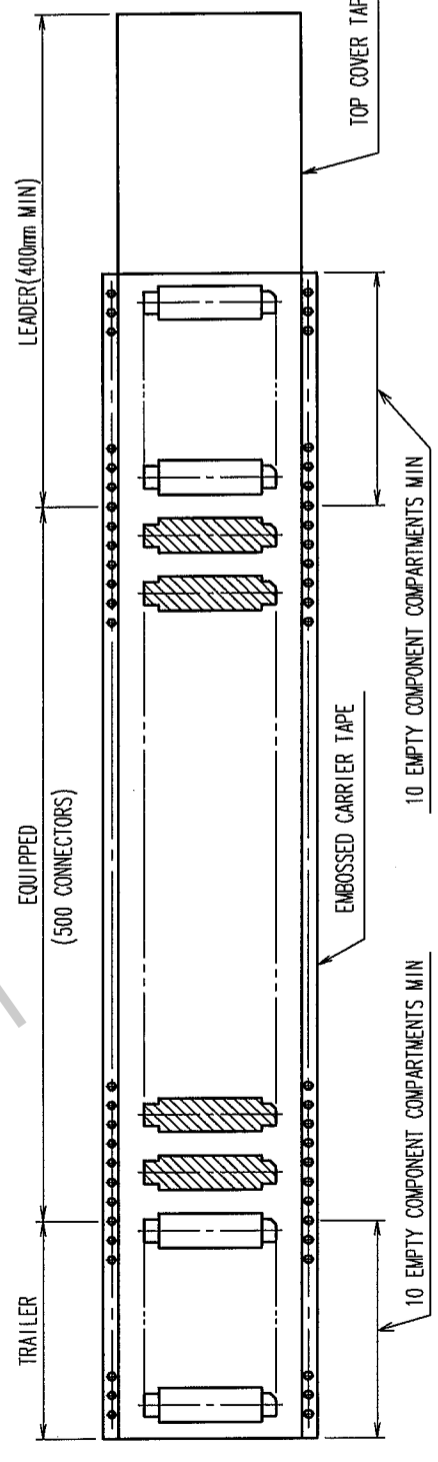
REEL DIMENSION



△ DIMENSION TABLE OF EMBOSSED CARRIER TAPE AND REEL.

PART No.	CODE No.	②	A	B	C	D	E	F
FX8C-60P-SV4(92)	CL578-0581-8-92	60	20	25	20.2	40.4	44	44.4
FX8C-80P-SV4(92)	CL578-0583-3-92	80	26	31	20.2	40.4	44	44.4
FX8C-100P-SV4(92)	CL578-0585-9-92	100	32	37	26.2	52.4	56	56.4
FX8C-120P-SV4(92)	CL578-0586-1-92	120	38	43	26.2	52.4	56	56.4
FX8C-140P-SV4(92)	CL578-0587-4-92	140	44	49	34.2	68.4	72	72.4

NOTE 1 1 REEL : 500 CONNECTORS
② NUMBER OF CONTACTS



2 POLYESTER (TOP COVER TAPE)		3 (CONNECTOR)			
NO.	MATERIAL	FINISH, REMARKS	NO.	MATERIAL	FINISH, REMARKS
1	PS/△		3		
CODE NO. (OLD) CL		DRAWN S. SUZUKI 03.02.04		DESIGNED K. NAKAMURA 03.02.12	
SCALE FREE		PART NO. EDC3-151089-22		APPROVED H. OKAWA 03.02.14	
UNITS JTTT		DRAWING NO. EDC3-151089-22		CHECKED Y. YOSHIMURA 03.02.15	
		DRAWING NO. EDC3-151089-22		RELEASED	
		PART NO. FX8C-**-P-SV4(92)			
		CODE NO. CL578			