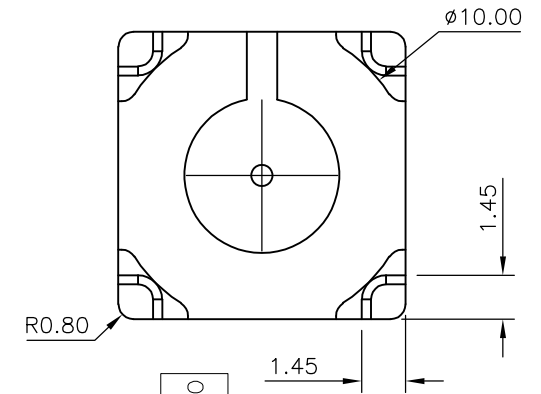
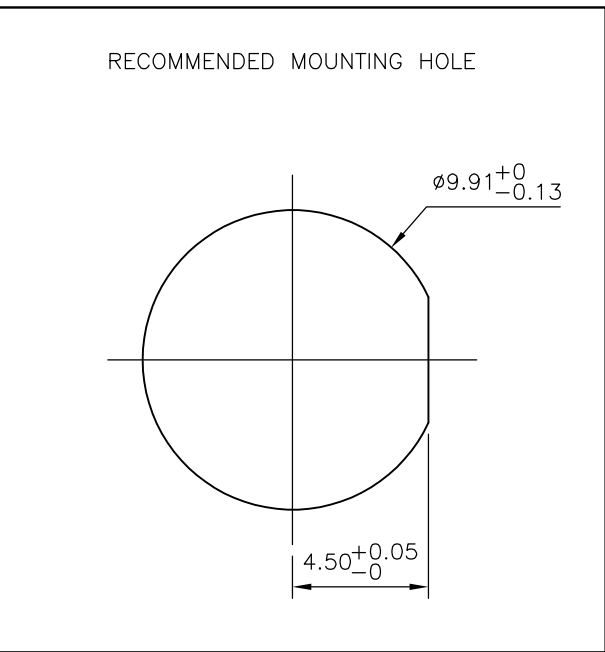
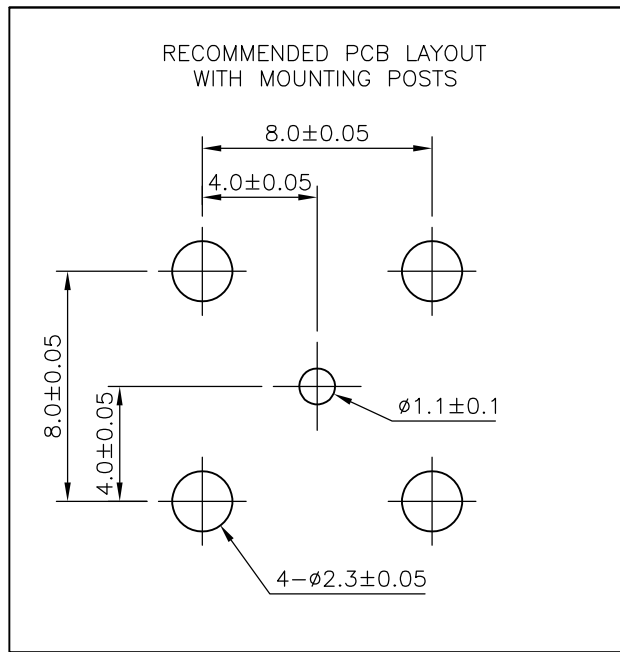
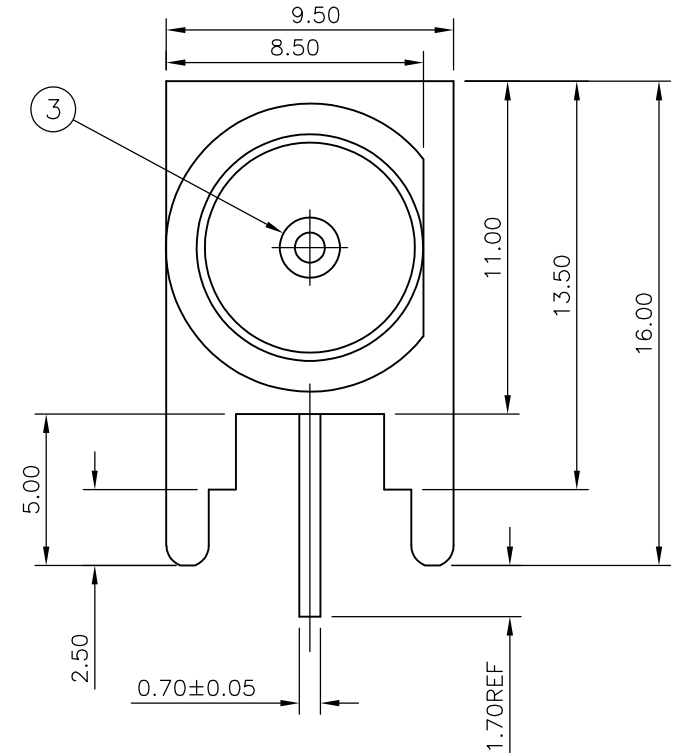
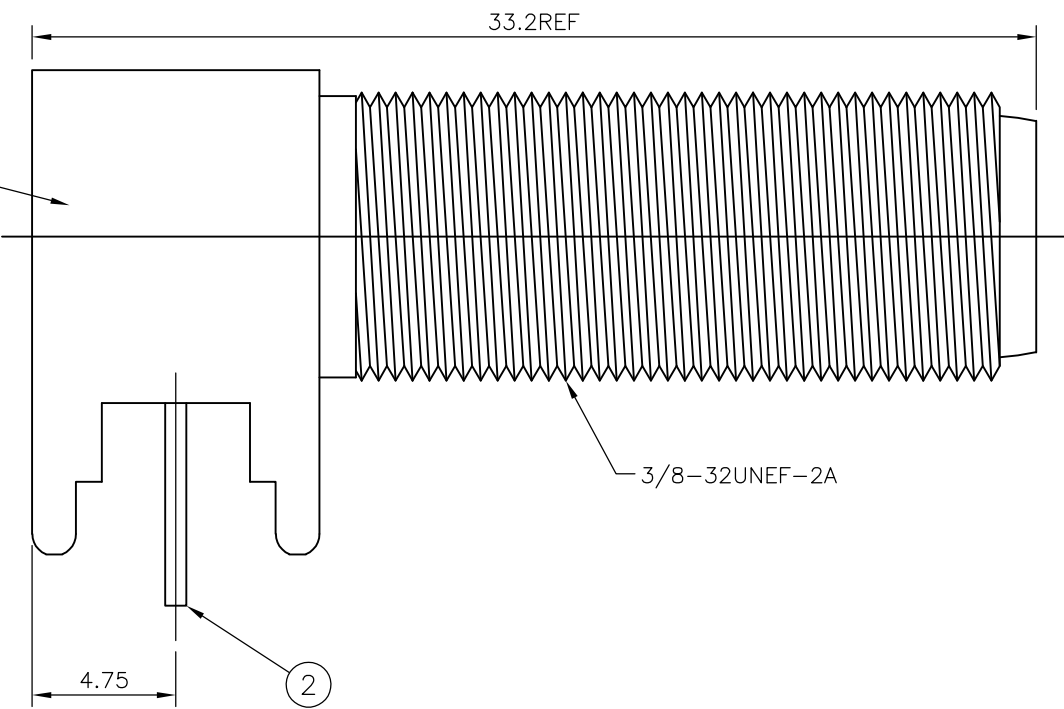


THIS DRAWING IS UNPUBLISHED. RELEASED FOR PUBLICATION SEP, 2004.
 © COPYRIGHT 2004 By - ALL RIGHTS RESERVED.

| LOC | DIST | REVISIONS | | | |
|-----|------|-------------|---------------------------|---------|--------------|
| P | LTR | DESCRIPTION | DATE | DWN | APVD |
| E | B | D1 | REVISED PER ECO-11-005033 | 01APR11 | RK HMR |
| E | | E | REVISED PER ECO-11-021675 | 02NOV11 | TITAN MARTIN |

NOTES

- 1 100 TRAY PACK IN ACCORDANCE WITH AMP SPEC 107-3275
- 2 SINGLE PACK IN ACCORDANCE WITH AMP SPEC 107-3275
- 3 1.27um TIN PLATING OVER 0.76um Cu PLATING
- 4 1.27um Ni PLATING OVER 0.76um Cu PLATING
- 5 FOR TECHNICAL DATA REFER TO YOUR LOCAL TE CONNECTIVITY SALES OFFICE
- 6 ALL DIMENSIONS ARE NOMINAL FOR REFERENCE ONLY UNLESS OTHERWISE STATED



| QUANTITY PER ASSY | | PARTS LIST | | |
|-------------------|------|-------------|-------------|------|
| 1 | 1 | TPX | INSULATOR | 3 |
| 1 | 1 | PHOS BRONZE | CONTACT | 2 |
| 1 | 1 | ZINC ALLOY | BODY | 1 |
| 5--1 | 5--0 | MATERIAL | DESCRIPTION | ITEM |
| 2 | 1 | | | |

THIS DRAWING IS A CONTROLLED DOCUMENT.

DWN ANSON MA 14FEB09
 CHK RITA ZUO 14FEB09
 APVD BOB ZHAO 14FEB09

PRODUCT SPEC 108-112000
 APPLICATION SPEC

STE TE Connectivity

F SERIES CONNECTOR ELBOW JACK PCB EXTENDED

SIZE CAGE CODE DRAWING NO RESTRICTED TO
 A3 00779 C-1634552

MATERIAL SEE TABLE FINISH SEE TABLE WEIGHT -

CUSTOMER DRAWING SCALE NTS SHEET 1 OF 1 REV E