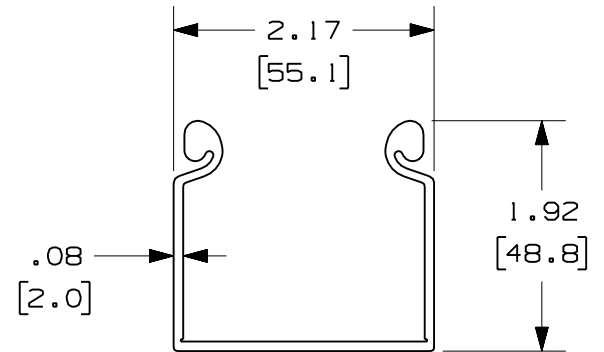
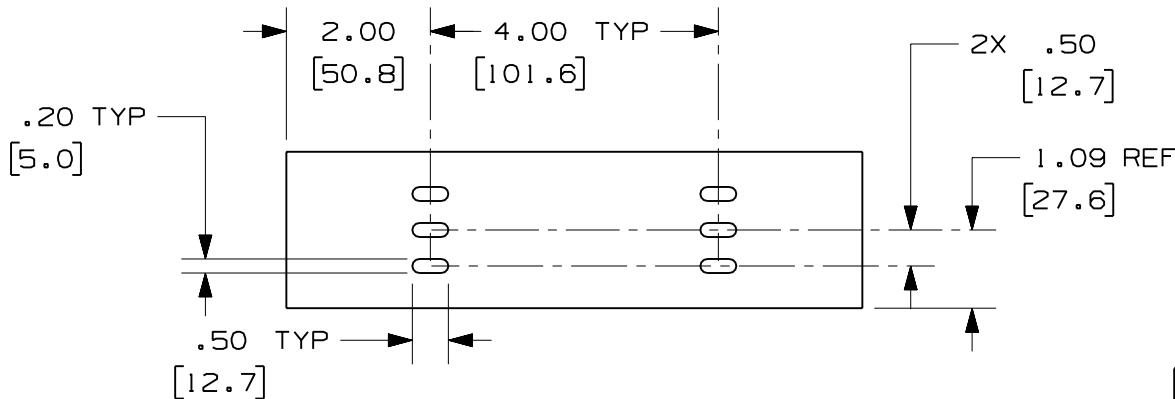
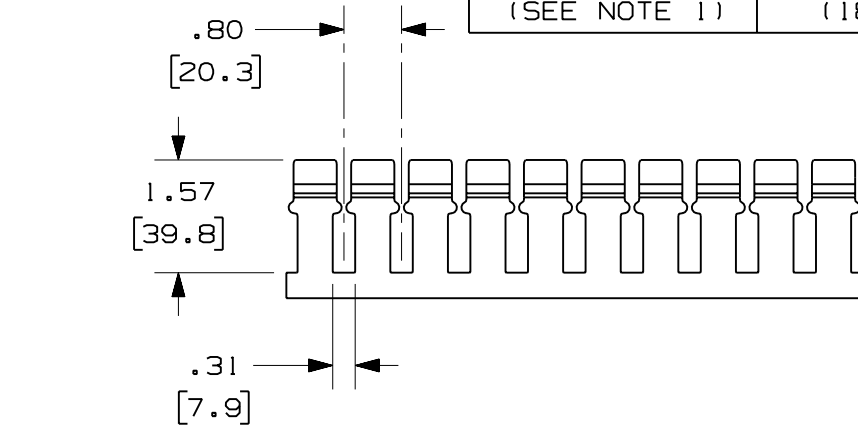


PANDUIT PART NUMBER	LENGTH	WEIGHT	WEIGHT/LENGTH
H2X2**2 (SEE NOTE 1)	78.74 IN ±.18 IN (2000.0mm ±4.6mm)	1.97 LB (894g)	0.30 LB/FT (4.5g/cm)
H2X2**6 (SEE NOTE 1)	72.00 IN ±.18 IN (1828.8mm ±4.6mm)	1.80 LB (816g)	0.30 LB/FT (4.5g/cm)

NOTES:

1. SEE CURRENT CATALOG FOR ADDITIONAL PART SUFFIXES TO INDICATE COLOR AND/OR PACKAGE QUANTITY.
2. DIMENSIONS IN PARENTHESES ARE IN METRIC.



ENG. REF.: D38258CJ_DC_H2X2_00.prt

CAD FILENAME/LAYERS H2X2.pdf

PANDUIT CORP TINLEY PARK, ILLINOIS
FIBERRUNNER 2x2 HINGED SLOTTED CHANNEL (H2X22, H2X2**6)**
 CUSTOMER DRAWING

UNLESS OTHERWISE SPECIFIED, DIMENSIONAL TOLERANCES ARE:
 (.X) ± (.XXX) ±
 (.XX) ±.03 (0.8) ANGLES ±

UNLESS OTHERWISE SPECIFIED, ALL DIMENSIONS ARE GIVEN IN INCHES, THIRD ANGLE PROJECTION.

DRAWN BY MSO	MAT'L: PVC	SCALE NONE
DATE 1-8-07		DRAWING NO. 38258-25
CHK'D RN		DWG A SIZE

REV	DATE	BY	CHK	DESCRIPTION	ECN	R	CUST	SUP	GMBH
R	1-8-07	MSO	RN	RELEASED TO PRODUCTION	38258-25	RN	RN		