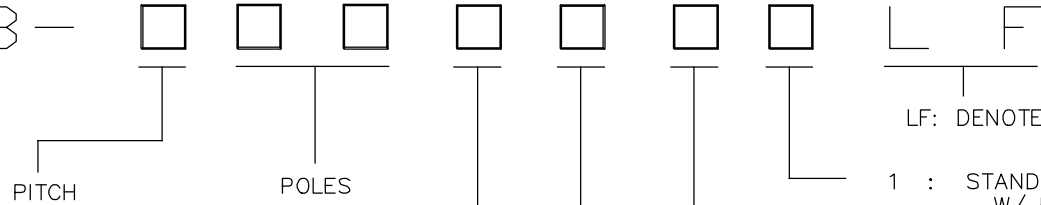




PRODUCT NUMBER  
20020008-XXXXXXLF

20020008



C: 3.50 mm  
D: 3.81 mm  
G: 5.00 mm  
H: 5.08 mm

02: 2 POLES  
03: 3 POLES  
04: 4 POLES  
|  
|  
24: 24 POLES

LF: DENOTED RoHS COMPATIBLE

1 : STANDARD PRODUCT  
W/ BOX PACKING

PRINTING CODE	POSITION	MARKING
0	NONE	NONE
3	SIDE	....4,3,2,1
5	SIDE	....C,B,A,-,+

PROPERTY TABLE						
FCI SERIES NAME		02-350	02-381	02-500	02-508	
PITCH (mm)		3.50	3.81	5.00	5.08	
VOLTAGE RATING (VAC)		300	300	300	300	
CURRENT RATING (A)	cULus	8	8	12	12	
	VDE	10	10	NA	NA	
APPLICABLE WIRE RANGE (AWG)	1-WIRE	16~28	16~28	12~24	12~24	
	2-WIRE	20	20	18	18	
WIRE CROSS SECTION (mm <sup>2</sup> )	SOLID	1-WIRE	1.5	1.5	2.5	2.5
		2-WIRE	0.5	0.5	1.0	1.0
	STRANDED	1-WIRE	1.5	1.5	2.5	2.5
		2-WIRE	0.75	0.75	1.5	1.5
OPENING CONTACT HOUSING(mm <sup>2</sup> )		2.8x1.7	2.8x1.7	2.6x3.2	2.6x3.2	
WIRE STRIP LENGTH(mm)		6~7	6~7	6~7	6~7	
TORQUE +/-10% (N-m/Lb-in)		0.19/1.7	0.19/1.7	0.4/3.5	0.4/3.5	
SCREW		M2x0.4	M2x0.4	M3x0.5	M3x0.5	
WITHSTANDING VOLTAGE (kV)	cULus	1.6	1.6	1.6	1.6	
	VDE	2.5	2.5	NA	NA	
OPERATING TEMP. (°C)		-40~+115	-40~+115	-40~+115	-40~+115	
POLES AVAILABLE		02~24	02~24	02~24	02~24	
SAFETY CERTIFICATE						

HOUSING CODE

CODE	COLOR	AVAILABILITY
1	GREEN(RAL 6018/T)	STANDARD
2	BLACK	ON REQUEST ONLY
3	GREY(RAL 7004/P)	ON REQUEST ONLY
4	BLUE(RAL 5015/A)	ON REQUEST ONLY
5	YELLOW	ON REQUEST ONLY

SCREW CODE

CODE	SCREW TYPE	AVAILABILITY
A	-/+	ON REQUEST ONLY
B	-	STANDARD

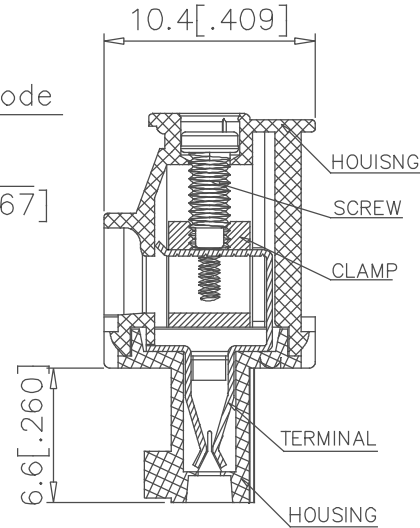
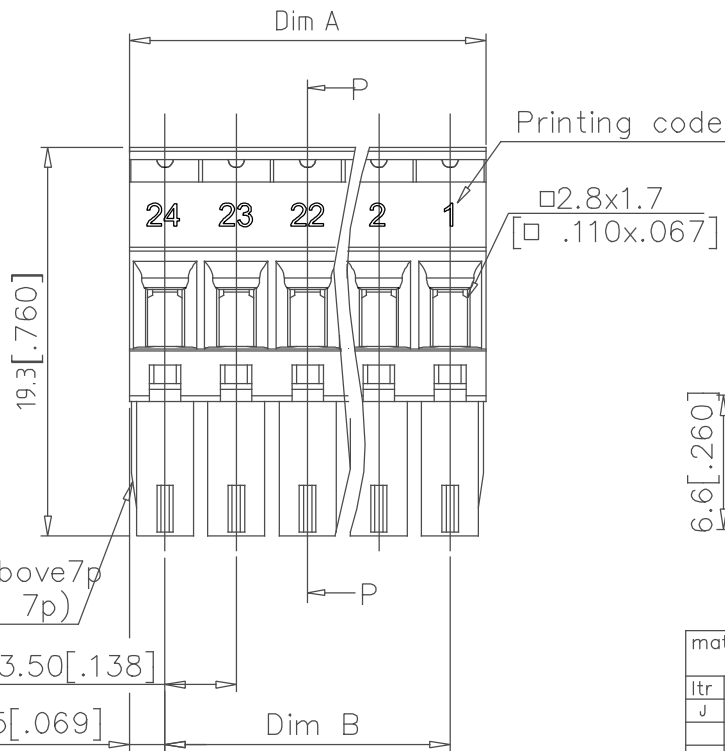
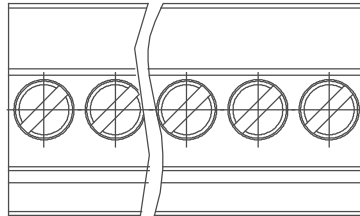
NOTES:

- MATERIALS
  - 1-1 HOUSING: THERMALPLASTIC RESIN, UL 94V-0 RATED,
  - 1-2 SCREW: STEEL, ZINC PLATED.
  - 1-3 CLAMP: COPPER ALLOY, NICKEL PLATED.
  - 1-4 TERMINAL: COPPER ALLOY, TIN PLATED.
- PRODUCT SPECIFICATION REFER TO FCI GS-12-625.
- PRODUCT PACKING SPECIFICATION REFER TO FCI GS-14-1394.
- FCI, SAFETY CERTIFICATE LOGO AND SERIES NAME TO BE SHOWN ON PRODUCT SURFACE.
- THE PRODUCTS WHERE THE PART NUMBER END IN "LF" MEET THE EUROPEAN UNION DIRECTIVE AND OTHER COUNTRY REGULATIONS AS DESCRIBED IN GS-22-008.

mat'l. code		surface	tolerance	projection	product family
		ASME Y14.5	ASME Y14.5		TERMINAL BLOCK
ltr	ecn no	dr	date	title	
D	T10-0042	WL	030310	TERMINAL BLOCK	
E	T10-0082	WL	080510	Pluggable plug, hook entry side	
F	T10-0172	WL	102010		
G	T11-0013	WL	040811		
H	T-004746	WL	072011		
J	T-012872	LS	091912		
		appr	JOSEPH HSIA		
sheet index		revision sheet	J 1	J 2	J 3
			J 4	J 5	



PRODUCT NUMBER	SERIES NAME	PITCH
20020008-CXXXXXL	02-350	3.50 mm



N= NUMBER OF POLES  
DIMENSION

Dim A	N*3.5 [.138]
Dim B	(N-1)*3.5 [.138]

Poles	Tolerance
2P-6P	±0.15 [.006]
7P-12P	±0.20 [.008]
13P-18P	±0.25 [.010]
19P-24P	±0.30 [.012]

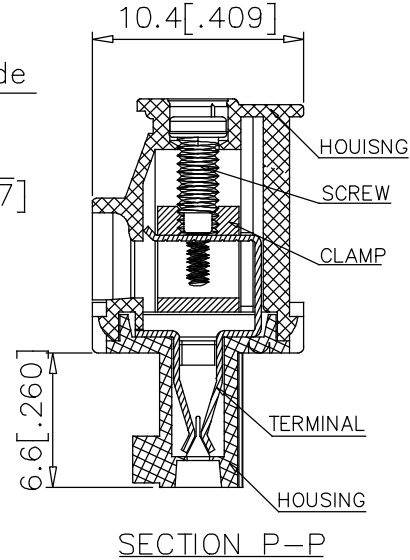
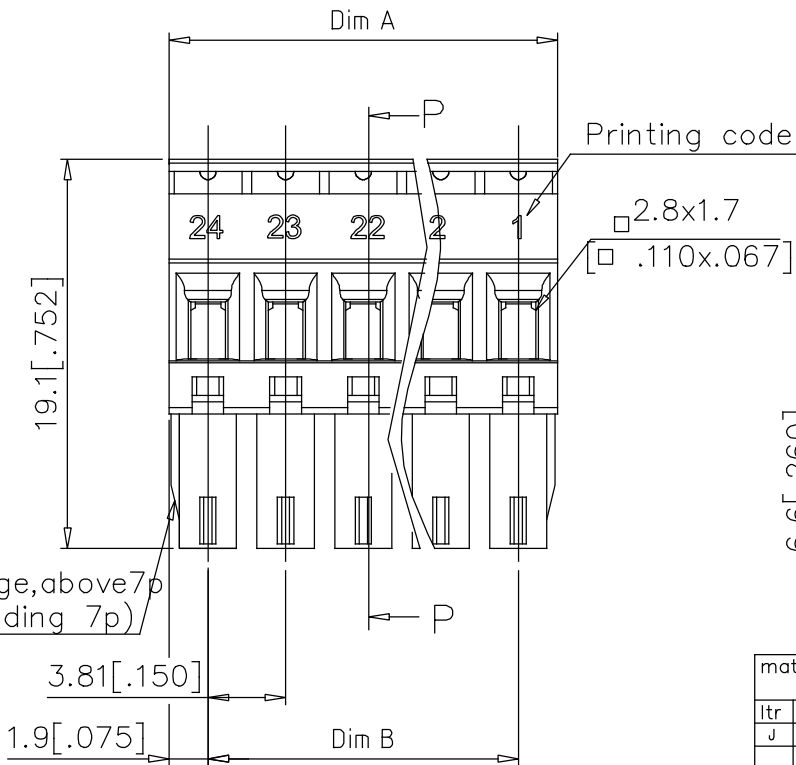
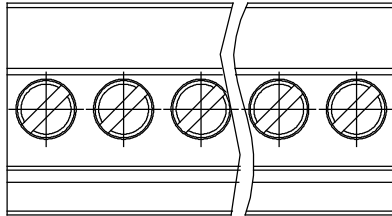
2p to 6p with wedge, above 7p without wedge (including 7p)

SECTION P-P

mat'l. code	surface ASME Y14.5 ✓	tolerance ASME Y14.5	projection	product family	TERMINAL BLOCK
ltr	ecn no	dr	date	title	TERMINAL BLOCK PLUGABLE, PLUG, SIGNAL, ENTRYSIDE HOOK
J				scale	MM [INCH]
				dwg no	20020008
				sheet	2 of 5
				size	A4
				type	CUSTOMER Drawing
sheet index	revision sheet				



PRODUCT NUMBER	SERIES NAME	PITCH
20020008-DXXXXXLF	02-381	3.81 mm



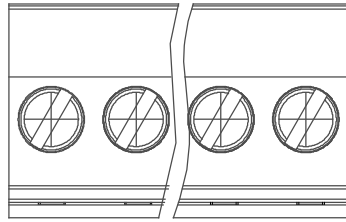
N= NUMBER OF POLES  
DIMENSION

Dim A	$N \times 3.81 [.150]$
Dim B	$(N-1) \times 3.81 [.150]$

Poles	Tolerance
2P-6P	$\pm 0.15 [.006]$
7P-12P	$\pm 0.20 [.008]$
13P-18P	$\pm 0.25 [.010]$
19P-24P	$\pm 0.30 [.012]$

mat'l. code	surface ASME Y14.5 ✓	tolerance ASME Y14.5	projection	product family	TERMINAL BLOCK			
ltr	ecn no	dr	date	tolerances unless otherwise specified	title			
J				angles $X \pm 0.5 [.020]$	TERMINAL BLOCK PLUGABLE, PLUG, SIGNAL, ENTRYSIDE HOOK			
				$X.X \pm 0.3 [.012]$				
				$X' \pm 1'$	$X.XX \pm 0.1 [.004]$			
		dr	BEER FU	062509	scale			
		enr	BEER FU	062509				
		chr	GARY HSIEH	062509				
		appd	JOSEPH HSIA	062509				
sheet index	revision sheet				dwg no	sheet 3 of 5	size	A4
					type	CUSTOMER	Drawing	

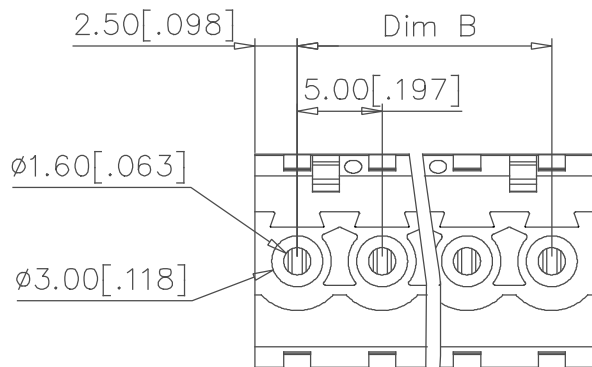
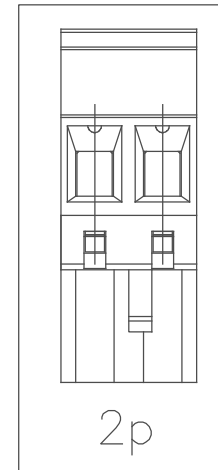
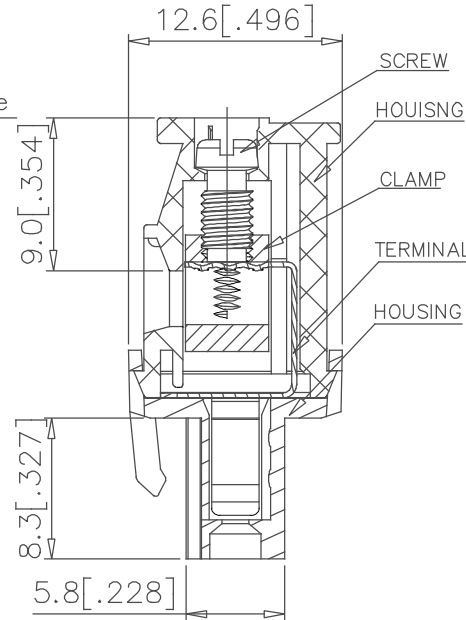
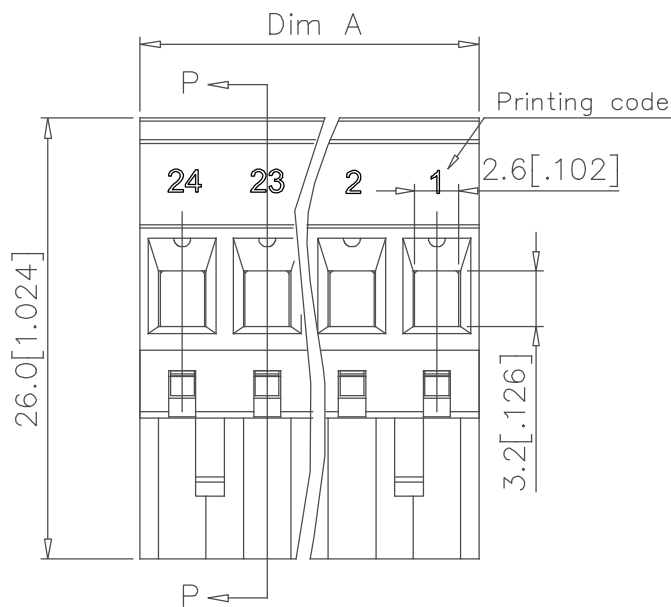
PRODUCT NUMBER	SERIES NAME	PITCH
20020008-GXXXXXLF	02-500	5.00 mm



N= NUMBER OF POLES  
DIMENSION

Dim A	$N \times 5.0 [.197]$
Dim B	$(N-1) \times 5.0 [.197]$

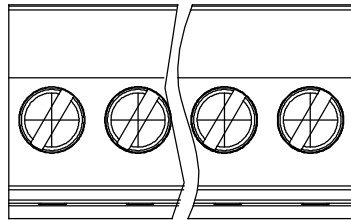
Poles	Tolerance
2P-6P	$\pm 0.15 [.006]$
7P-12P	$\pm 0.25 [.010]$
13P-18P	$\pm 0.30 [.012]$
19P-24P	$\pm 0.40 [.016]$



SECTION P-P

mat'l. code	surface ASME Y14.5 ✓	tolerance ASME Y14.5	projection	product family			
ltr	ecn	no	dr	date	tolerances unless otherwise specified	title	TERMINAL BLOCK
J					X. $\pm 0.5 [.020]$	TERMINAL BLOCK PLUGABLE, PLUG, SIGNAL, ENTRYSIDE HOOK	
					X.X $\pm 0.3 [.012]$		sheet 4 of 5
					X'±1'	X.XX $\pm 0.1 [.004]$	scale
			dr	BEER FU	062509		FCI
			enr	BEER FU	062509		dwg no
			chr	GARY HSIEH	062509		20020008
			appd	JOSEPH HSIA	062509		sheet 4 of 5
sheet index	revision sheet						size A4
							type CUSTOMER Drawing

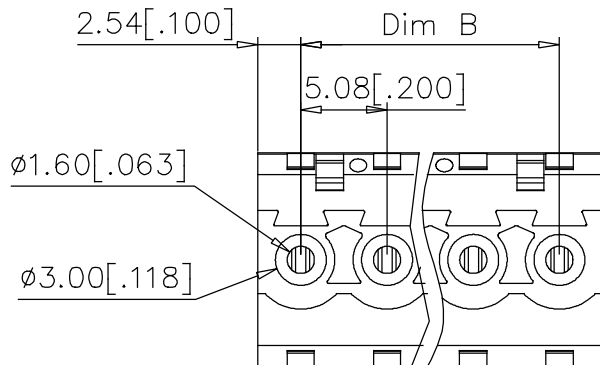
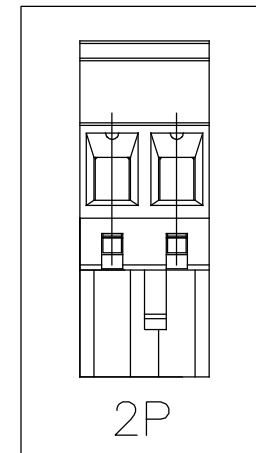
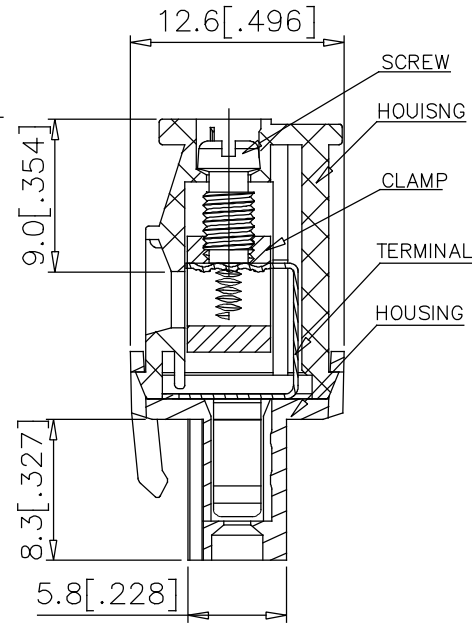
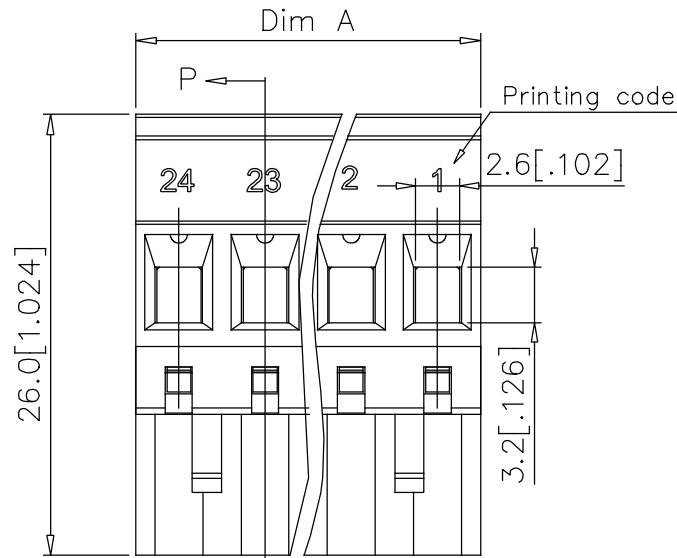
PRODUCT NUMBER	SERIES NAME	PITCH
20020008-HXXXXXLF	02-508	5.08 mm



N= NUMBER OF POLES  
DIMENSION

Dim A	$N \times 5.08 [.200]$
Dim B	$(N-1) \times 5.08 [.200]$

Poles	Tolerance
2P-6P	$\pm 0.15 [.006]$
7P-12P	$\pm 0.25 [.010]$
13P-18P	$\pm 0.30 [.012]$
19P-24P	$\pm 0.40 [.016]$



SECTION P-P

mat'l. code	surface ASME Y14.5	tolerance ASME Y14.5	projection MM [INCH]	product family TERMINAL BLOCK		
ltr	ecn	no	dr	date	tolerances unless otherwise specified	title
J					X. $\pm 0.5 [.020]$ X.X $\pm 0.3 [.012]$ X.XX $\pm 0.1 [.004]$	TERMINAL BLOCK PLUGABLE, PLUG, SIGNAL, ENTRYSIDE HOOK
					dr BEER FU 062509	dwg no 20020008
					enr BEER FU 062509	sheet 5 of 5 size A4
					chr GARY HSIEH 062509	type CUSTOMER Drawing
					appd JOSEPH HSIA 062509	
sheet index	revision sheet					

