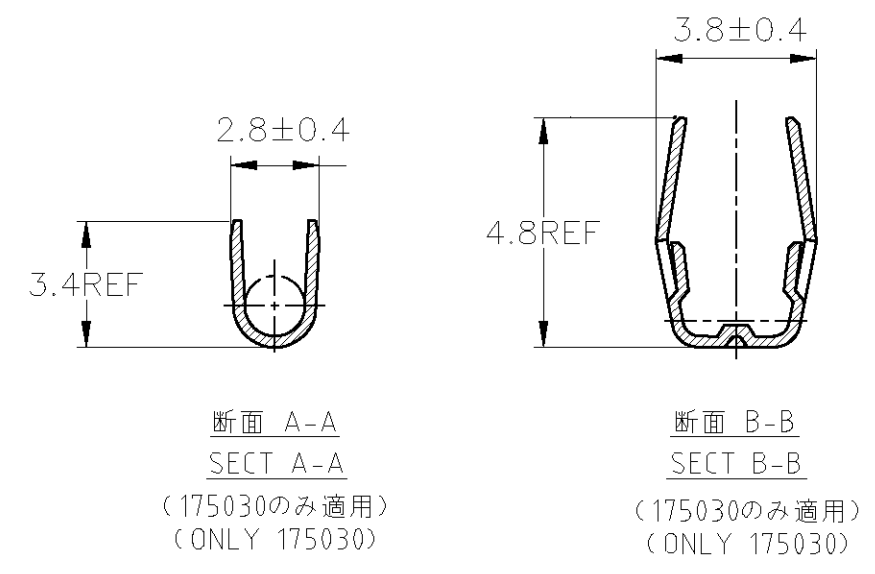
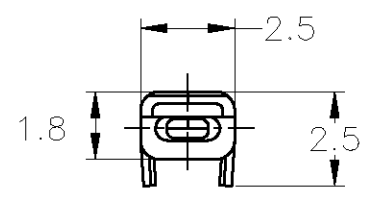
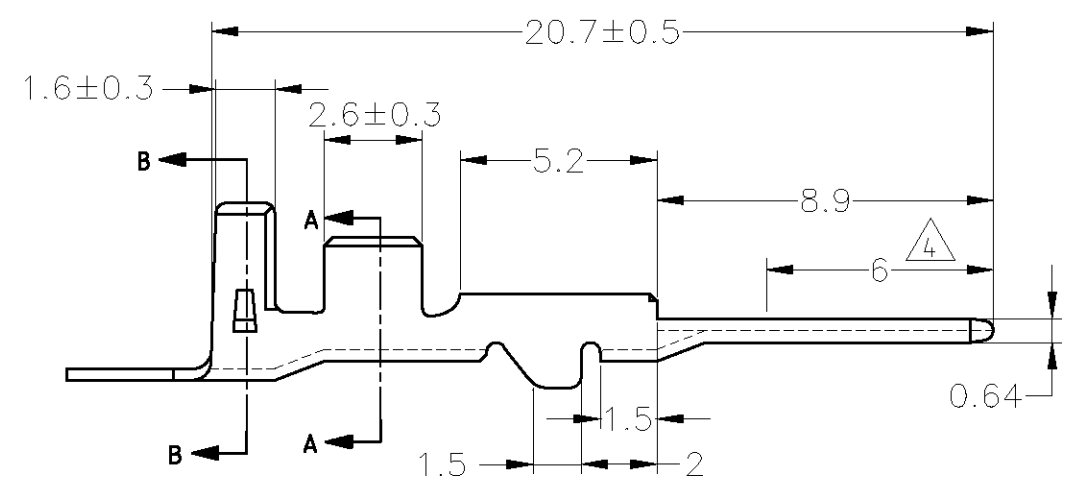
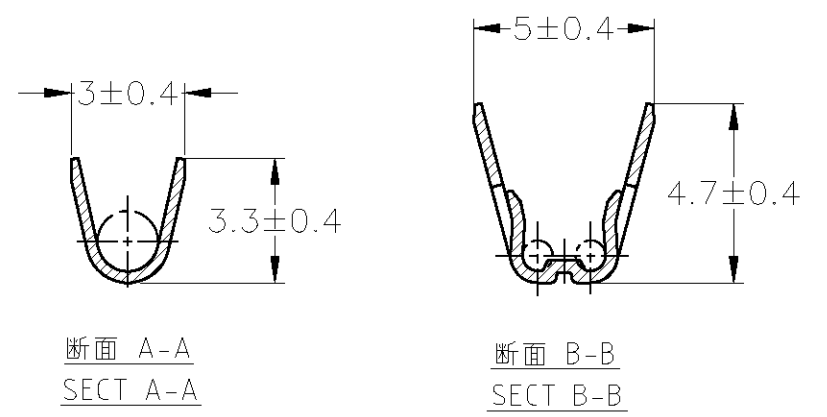
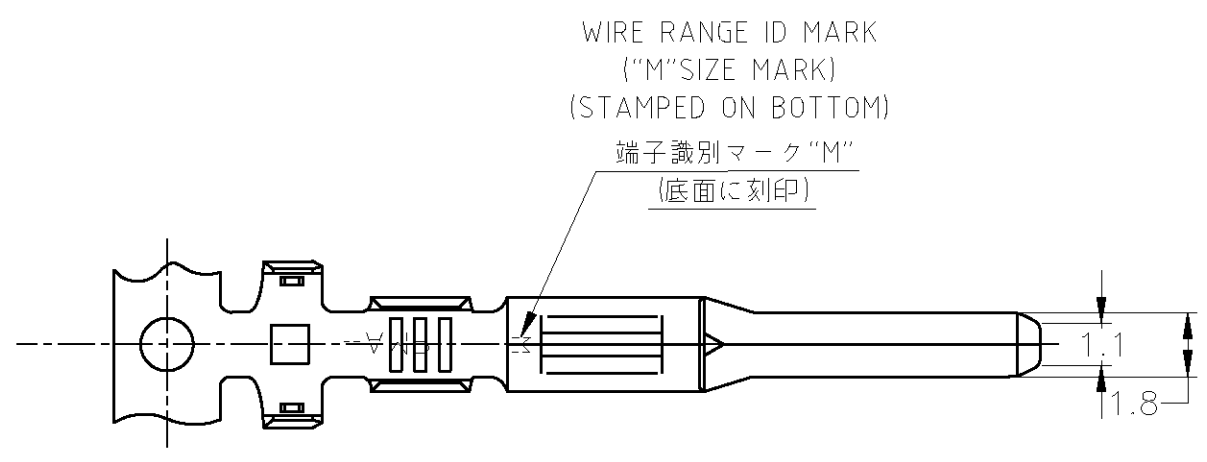


THIS DRAWING IS UNPUBLISHED. RELEASED FOR PUBLICATION  
 © COPYRIGHT - By - ALL RIGHTS RESERVED.

LOC	DIST	REVISIONS					
J	-	P	LTR	DESCRIPTION	DATE	DWN	APVD
			E3	REVISED	ECR-12-010663	15JUN2012	TS KB



- 1. 製品規格; 108-5231, 108-5264
- 2. 嵌合相手端子型番; 173631 他
- 3. 圧着規格; 114-5092
- △ 部分金めっき, 他はニッケルめっき

- 1. SPEC; 108-5231, 108-5264
- 2. RECEPTACLE CONTACT; 173631 etc
- 3. APPLICATION SPECIFICATION; 114-5092
- △ SELECTIVE GOLD PLATING, REMAINDER NICKEL PLATING

SEE DRAWING 173645-5			173645-5
175030-3	部分金めっき SELECTIVE GOLD	リン青銅 板厚0.32 PHOS BRO. t0.32	173645-3
175030-2	錫めっき済み PRE-TINNED	リン青銅 板厚0.32 PHOS BRO. t0.32	173645-2
175030-1	錫めっき済み PRE-TINNED	黄銅 板厚0.32 BRASS t0.32	173645-1
パラ端子型番 L/P NUMBER	仕上 FINISH	材料 MATERIAL	型番 PART NUMBER

TOLERANCES UNLESS OTHERWISE SPECIFIED: 一般公差	
10 <sub>2</sub>	±0.2
30 <sub>2</sub> > 10	±0.25
100 <sub>2</sub> > 30	±0.3
ANGLE	±3°

THIS DRAWING IS A CONTROLLED DOCUMENT.	
DIMENSIONS: 単位: 耗 mm	TOLERANCES UNLESS OTHERWISE SPECIFIED: 一般公差
0 PLC ±-	1 PLC ±-
2 PLC ±-	3 PLC ±-
4 PLC ±-	ANGLES ±-
MATERIAL 材料	FINISH 仕上
SEE TABLE	SEE TABLE

DWN M.SUGAWARA 16MAY08	 TE Connectivity  070 SERIES TAB CONTACT		RESTRICTED TO	
CHK T.SHINOHARA 16MAY08				
APVD K.BETSUI 16MAY08				
PRODUCT SPEC 製品規格 APPLICATION SPEC 取付適用規格				
WEIGHT -	SIZE A3	CAGE CODE 00779	DRAWING NO 番号 C-173645	RESTRICTED TO -
CUSTOMER DRAWING		SCALE 尺度 5:1	SHEET 1 OF 1	REV E3