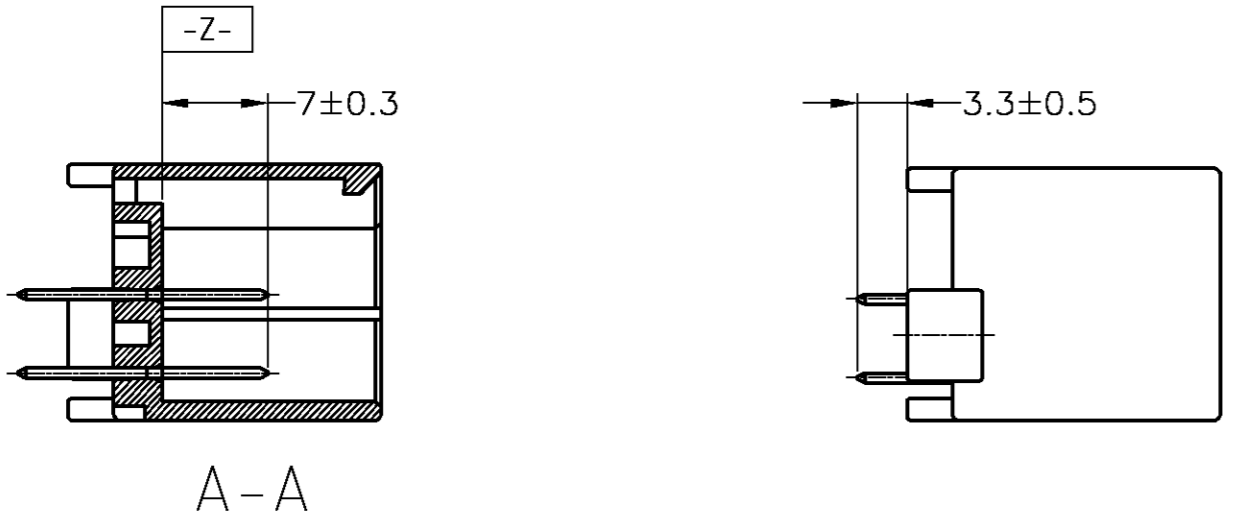
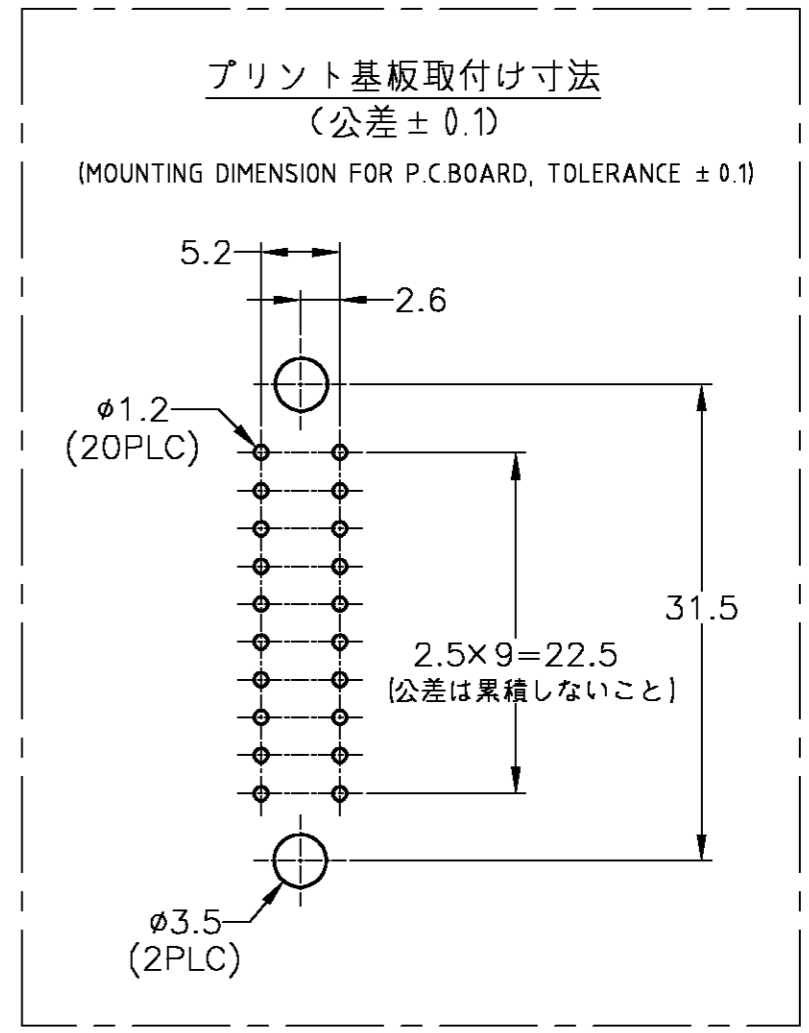
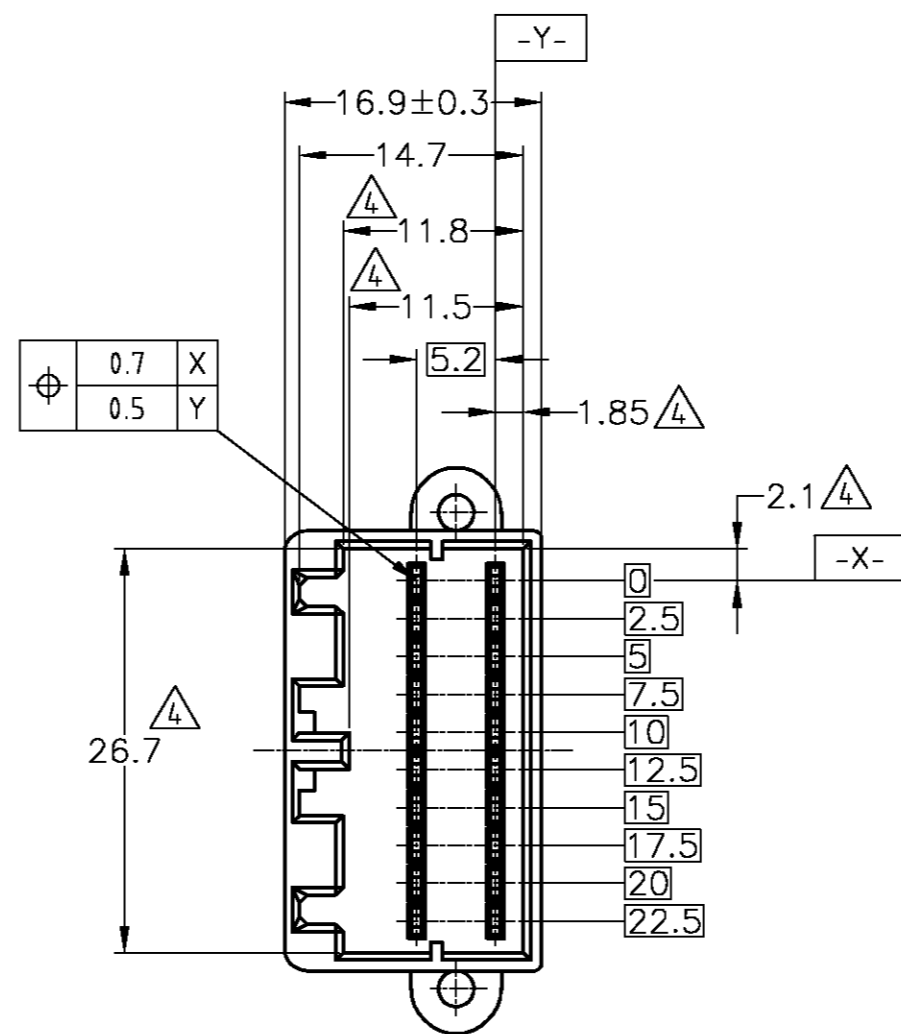
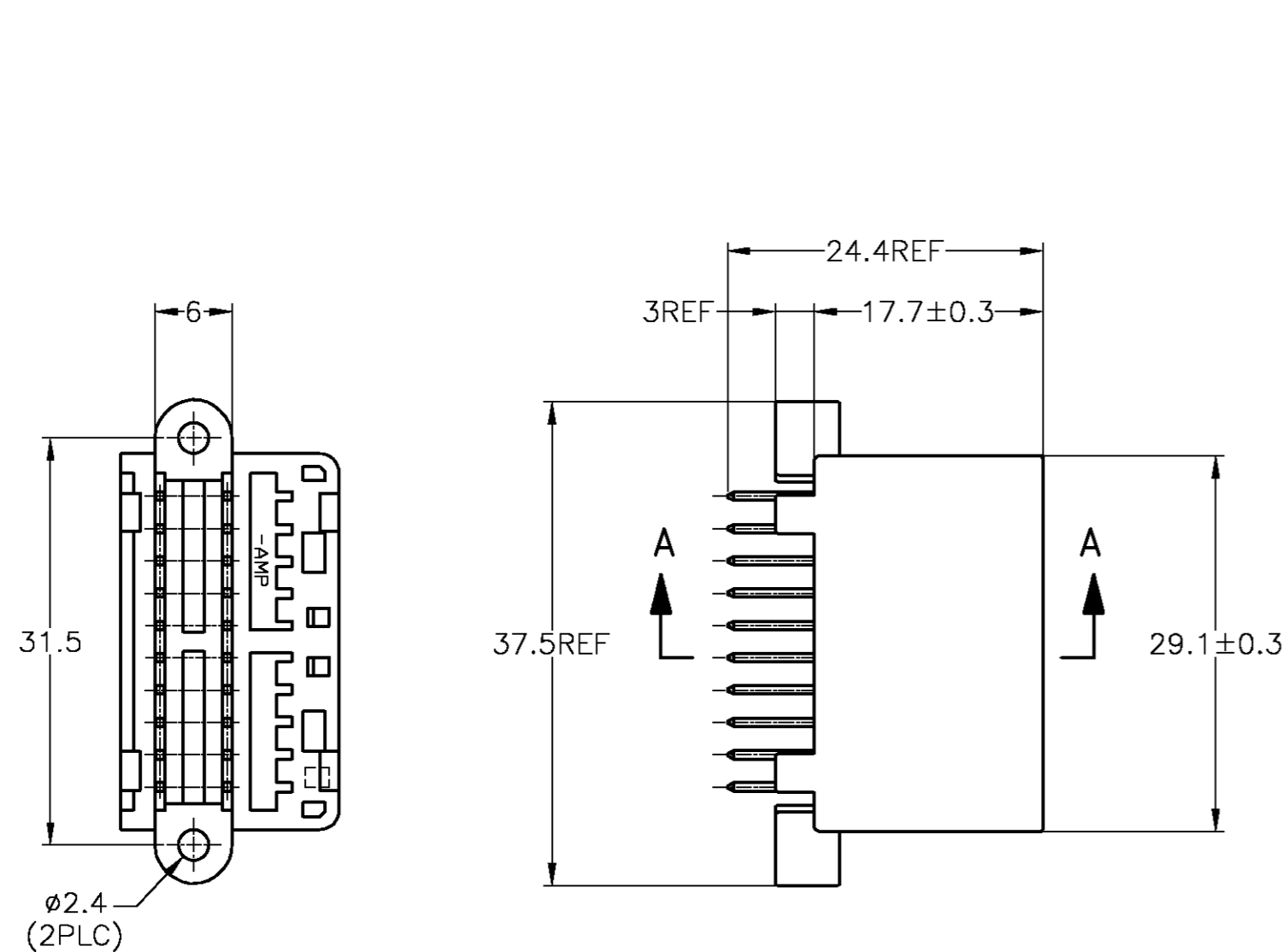


THIS DRAWING IS UNPUBLISHED. RELEASED FOR PUBLICATION  
 © COPYRIGHT BY TYCO ELECTRONICS CORPORATION. ALL RIGHTS RESERVED.

LOC	DIST	REVISIONS					
J	-	P	LTR	DESCRIPTION	DATE	DWN	APVD
		03	REVISED	ECR-07-014190	14JUN07	TS	KB



- 適用プリント基板厚: 1.6mm
- 推奨取付ネジ: JIS B1115, B1122 タッピングネジ、  
ナベ2種呼び径3、長さ6mm以上(締付トルク: 0.39N-m以下)
- 嵌合相手ハウジング: 175967
- △ [-Z-] 面より2mmの範囲で測定
- 製品規格番号: 108-5281

- APPLICABLE P.C.BOARD THICKNESS, 1.6mm
- RECOMMENDED MOUNTING SCREW 3mm DIA 6mm LENGTH (MIN.)  
TAPPING SCREW SPECIFIED IN JIS B1115, B1122  
(TIGHTENING TORQUE: 0.39N-m MAX.)
- THE MATING PLUG HOUSING PART NUMBER: 175967
- △ TO BE MEASURED WITHIN 2mm FROM [-Z-]
- PRODUCT SPEC NO.: 108-5281

SELECTIVE-TIN (MATTE)	SELECTIVE-TIN (BRIGHT)	BLUE	179254-3
PRE-TIN		BLACK	179254-2
PRE-TIN		BLUE	179254-1
SOLDERING SIDE 半田付け部	CONTACT SIDE 接触部側	COLOR 色	PART NUMBER 製品型番
CONTACT FINISH コンタクト仕上げ			

THIS DRAWING IS A CONTROLLED DOCUMENT.

DWN	05JAN06	T.SHINOHARA
CHK	05JAN06	K.BETSUI
APVD	05JAN06	K.BETSUI

Tyco Electronics AMP K.K.  
Kawasaki, Japan

040 SERIES MULTI-LOCK I/O CONNECTOR MK-II  
20POSITION CAP HOUSING ASSEMBLY

SIZE: A2 CAGE CODE: 00779 DRAWING NO: 179254

WEIGHT: -

CUSTOMER DRAWING SCALE: 2:1 SHEET: 1 OF 1 REV: 03

TOLERANCES UNLESS OTHERWISE SPECIFIED:  
 10 ± .1 ± 0.2  
 30 ± .10 ± 0.25  
 100 ± .30 ± 0.3  
 ANGLE ± 0.3°

TOLERANCES UNLESS OTHERWISE SPECIFIED:  
 一般公差  
 0 PLC ±  
 1 PLC ±  
 2 PLC ±  
 3 PLC ±  
 4 PLC ±  
 ANGLES ±

MATERIAL: HOUSING: PBT CONTACT: BRASS

FINISH: 仕上

SEE TABLE