

4

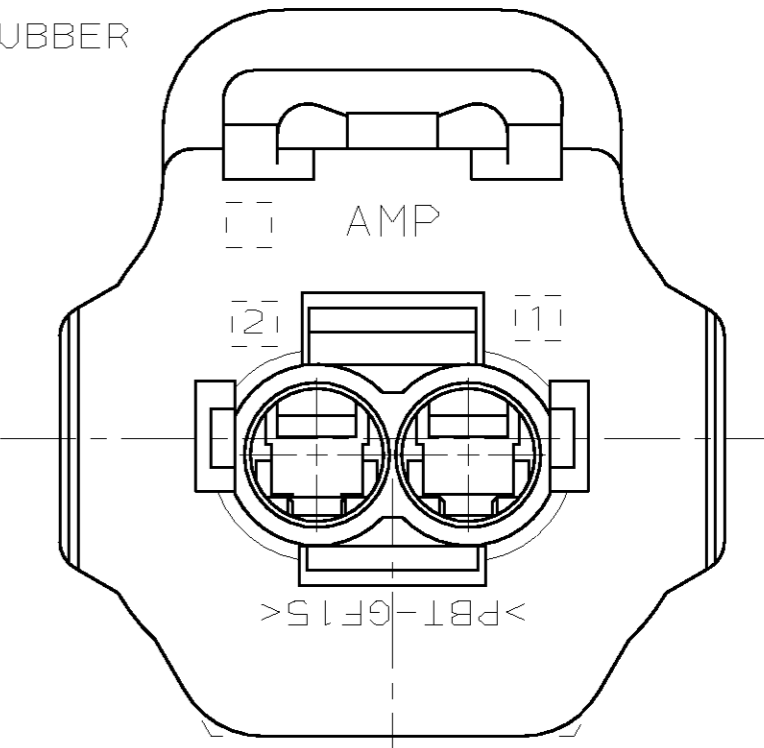
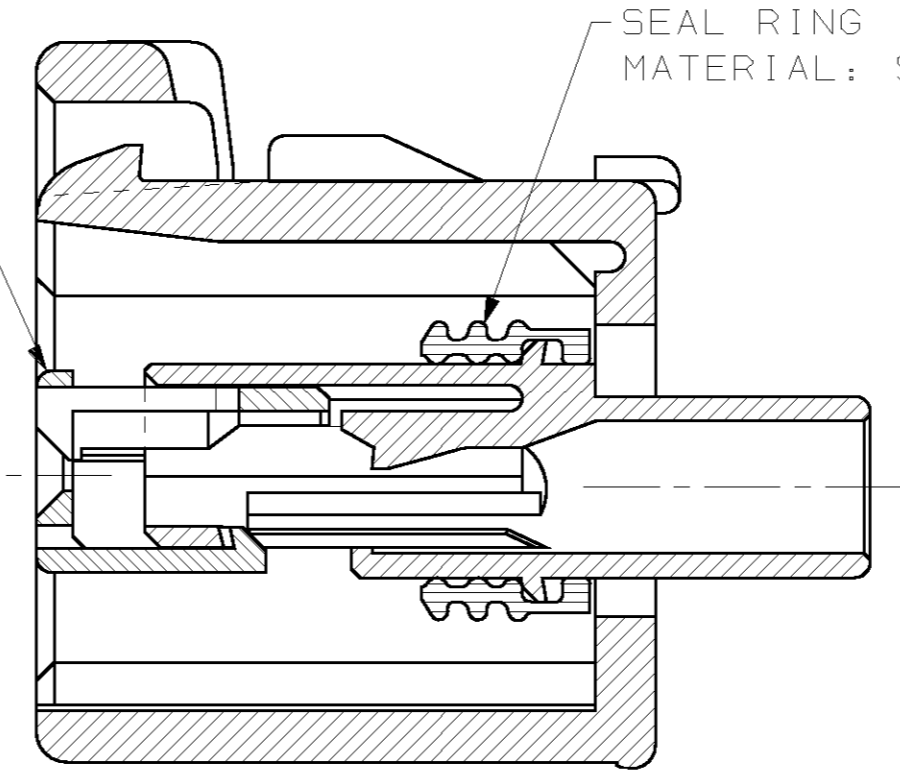
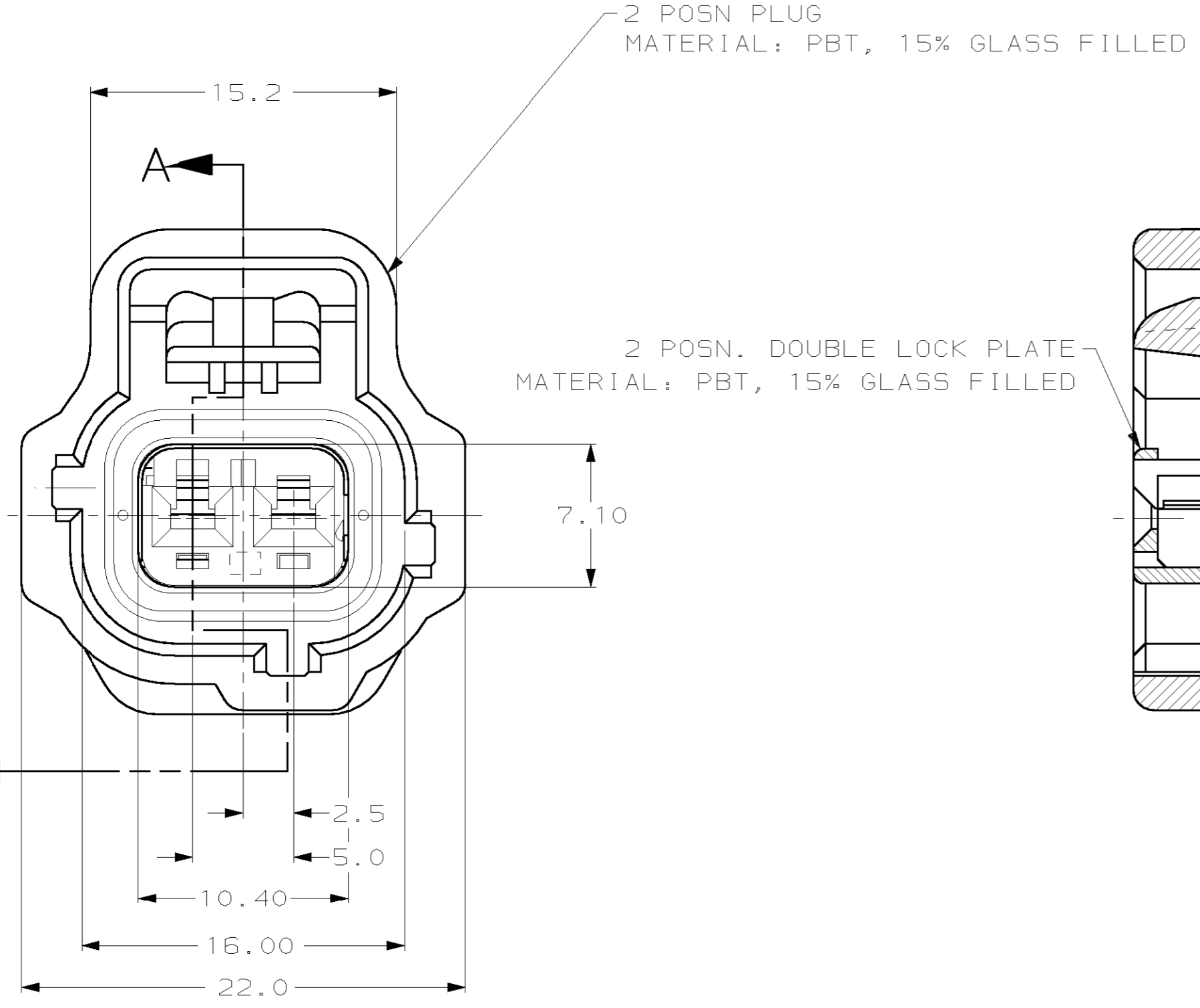
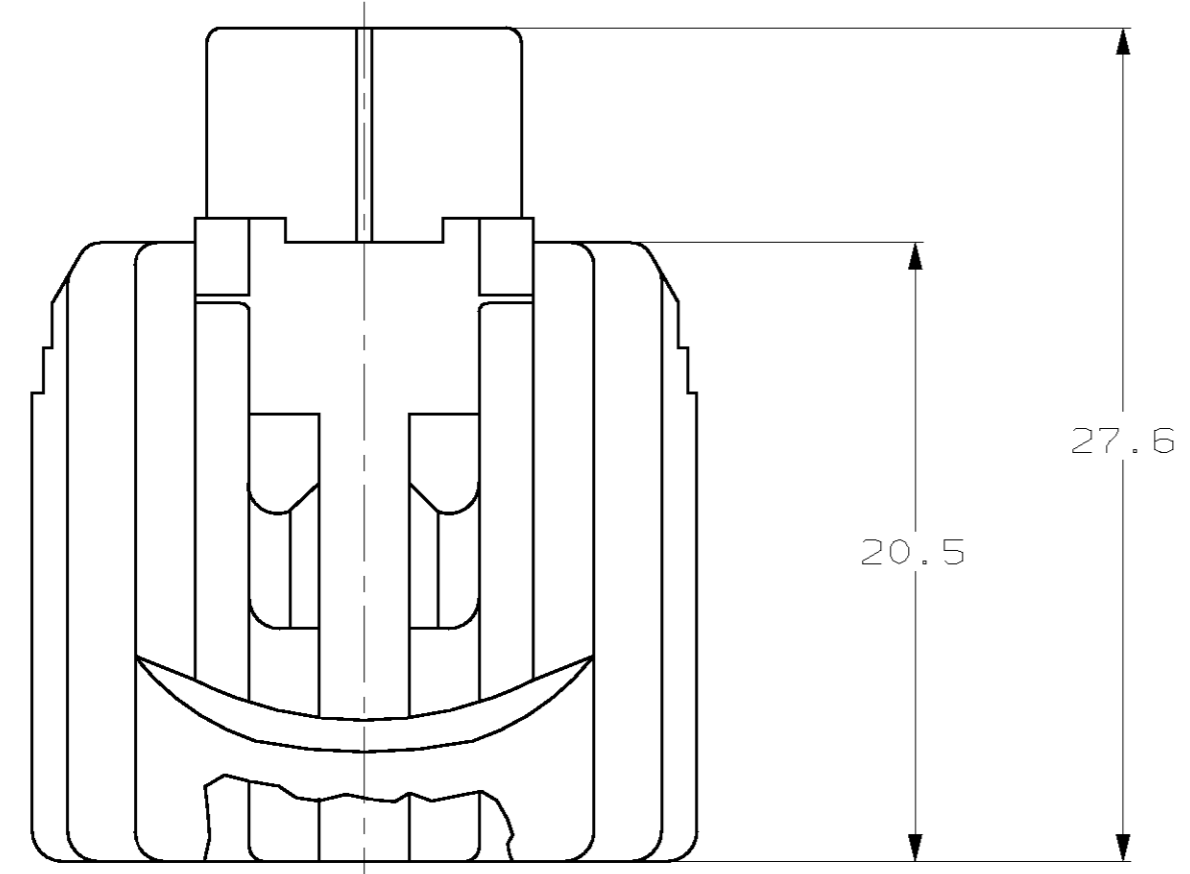
3

2

1

THIS DRAWING IS UNPUBLISHED. RELEASED FOR PUBLICATION .19
 © COPYRIGHT 19 BY AMP INCORPORATED. ALL RIGHTS RESERVED.

LOC		DIST		REVISIONS		
P	LTR	DESCRIPTION	DATE	DWN	APVD	
G	16	0	RELEASED, WAS 92-4072-2313-5	-	-	
		A	REV PER ECN 0720-0290-94	10/13/94	KDL JPK	
		B	REV PER ECN 0720-0446-94	12/16/94	KW JK	
		C	REV PER ECN 0K50-0003-96	08/13/96	KW JK	
		D	REV PER ECN 0K20-0025-97	29JUL97	KW JK	
		E	REV PER EC# 0K40-0140-00	6-28-00	PC GI	



SECTION A-A

KEYING TYPE E

THIS DRAWING IS A CONTROLLED DOCUMENT FOR AMP INCORPORATED. IT IS SUBJECT TO CHANGE AND THE CONTROLLING ENGINEERING ORGANIZATION SHOULD BE CONTACTED FOR THE LATEST REVISION.

DIMENSIONS:	TOLERANCES UNLESS OTHERWISE SPECIFIED:
mm	0 PLC ±.30
	1 PLC ±0.15
	2 PLC ±.
	3 PLC ±.
	4 PLC ±.
	ANGLES ±1°
MATERIAL	FINISH

DWN	KD LYTLE	3/28/94
CHK	JP KUNKLE	4/19/94
APVD		
PRODUCT SPEC		
APPLICATION SPEC		
WEIGHT		
CUSTOMER DRAWING		

GRAY	184008-2
BLACK	184008-1
PLUG COLOR	PART NO
AMP AMP Incorporated Harrisburg, PA 17105-3608	
1 X 2 PLG ASY KEY E-C3	
SIZE	CAGE CODE
A2	00779
DRAWING NO	C-184008
SCALE	SHEET
4:1	1 OF 1
REV	E