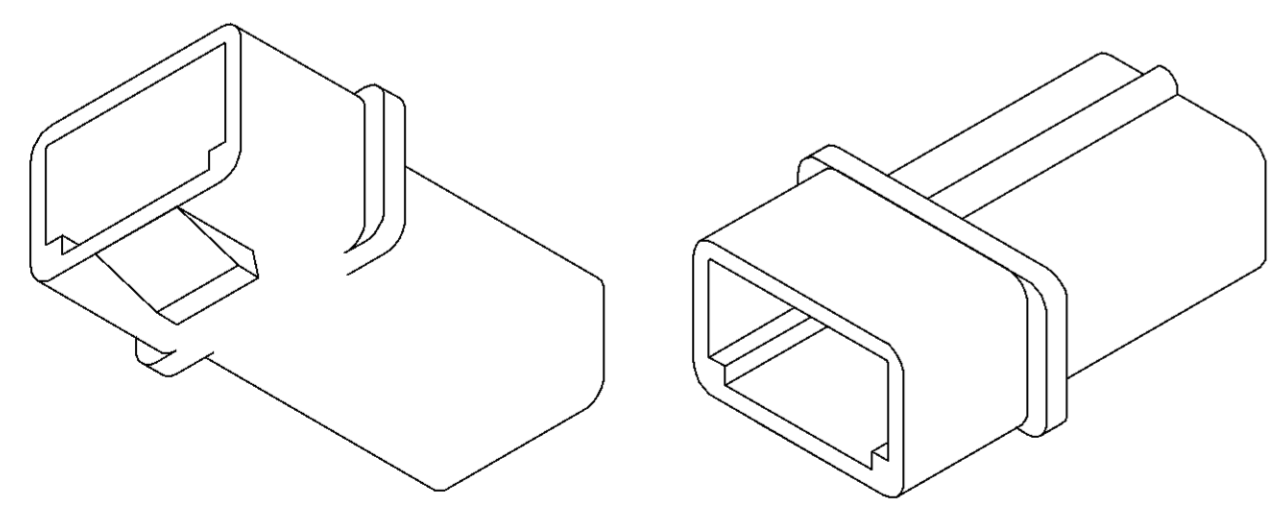
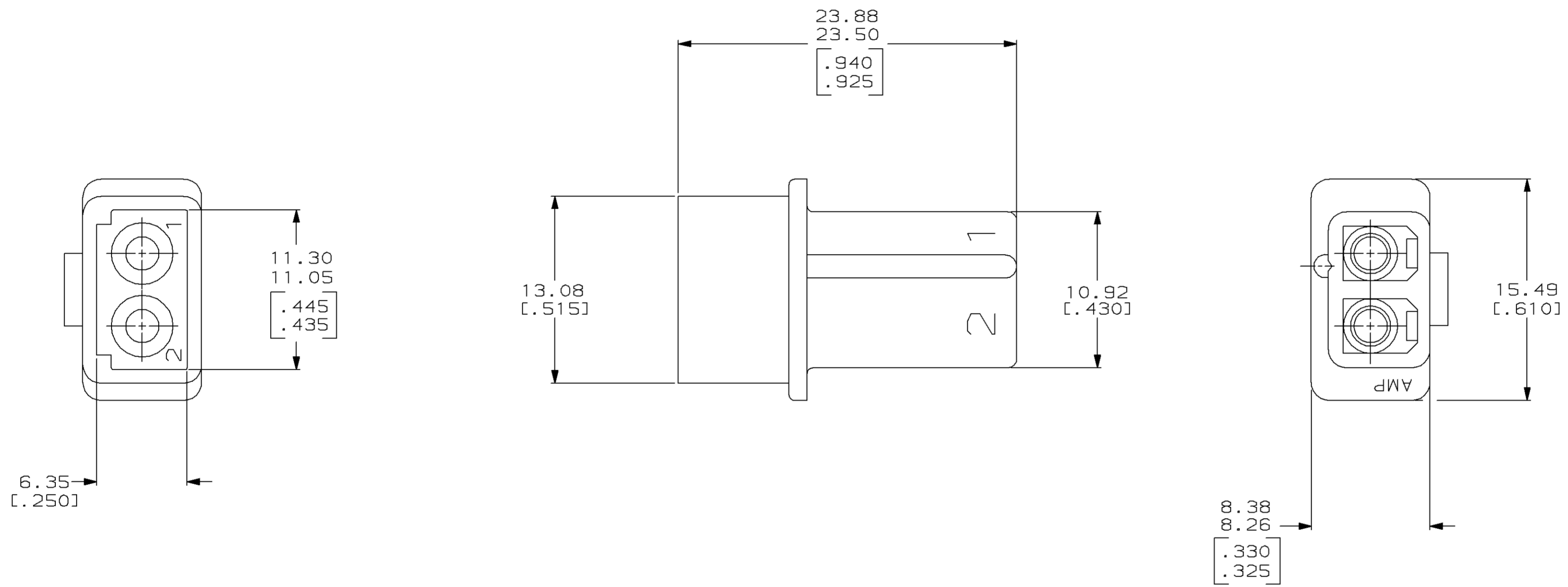
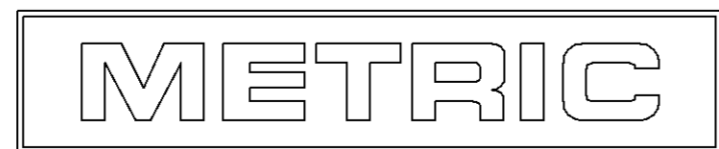


Loc		DIST		P		F		ZONE		LTR		REVISIONS		DATE	APPD
CM	53											0	RLSD PER PR CM 93-42	4-26-93	KS

1. THIS CAP TO BE USED WITH PLUG NO. 1-480720-0.
2. TO BE USED WITH APPROPRIATE COMMERCIAL MATE-N-LOK™ PINS.
3. DIMENSIONS IN BRACKETS ARE IN INCHES.



3-DIMENSIONAL MODELS
NTS



THIS DRAWING IS A CONTROLLED DOCUMENT FOR AMP INCORPORATED. IT IS SUBJECT TO CHANGE AND THE CONTROLLING ENGINEERING ORGANIZATION SHOULD BE CONTACTED FOR THE LATEST REVISION.

DO NOT SCALE PRINT. UNLESS SPECIFIED DIMENSIONS IN mm [INCHES] TOLERANCES ON : 2 PLC DEC ± 0.13 [.005] 3 PLC DEC ± - ANGLES ± -		DR 4-26-93 K. SALMON	AMP Incorporated Harrisburg, PA 17105-3608		
MATERIAL NYLON 94V-2		CHK 4-26-93 R. SWING			
FINISH -		APPD 4-26-93 G. BROWN	NAME CAP, POSITIVE LOCK, 2 CIRCUIT, COMMERCIAL MATE-N-LOK		
-		APPD 4-26-93 G. BROWN	SIZE © 00779	CAGE CODE 00779	DRAWING NO ©=794012
-		PRODUCT SPEC -	SCALE 4:1	SHEET 1 OF 1	
-		APPLICATION SPEC -	CUSTOMER DRAWING		
-		WEIGHT -			

794012-1
PART NO